

MODEL No. : KR-12N3EM
 MAX INLET: 3000 PSI
 REGULATED OUTLET: 300-1500 PSI
 SPECIFIED FLOW: 2 GPM
 Cv Outlet: .23
 Cv Vent: .23
 SUPPLY PORT: 1/2" NPT
 REGULATED OUTLET: 1/2" NPT
 VENT PORT: 1/2" NPT
 OPERATOR: MANUAL OPERATOR

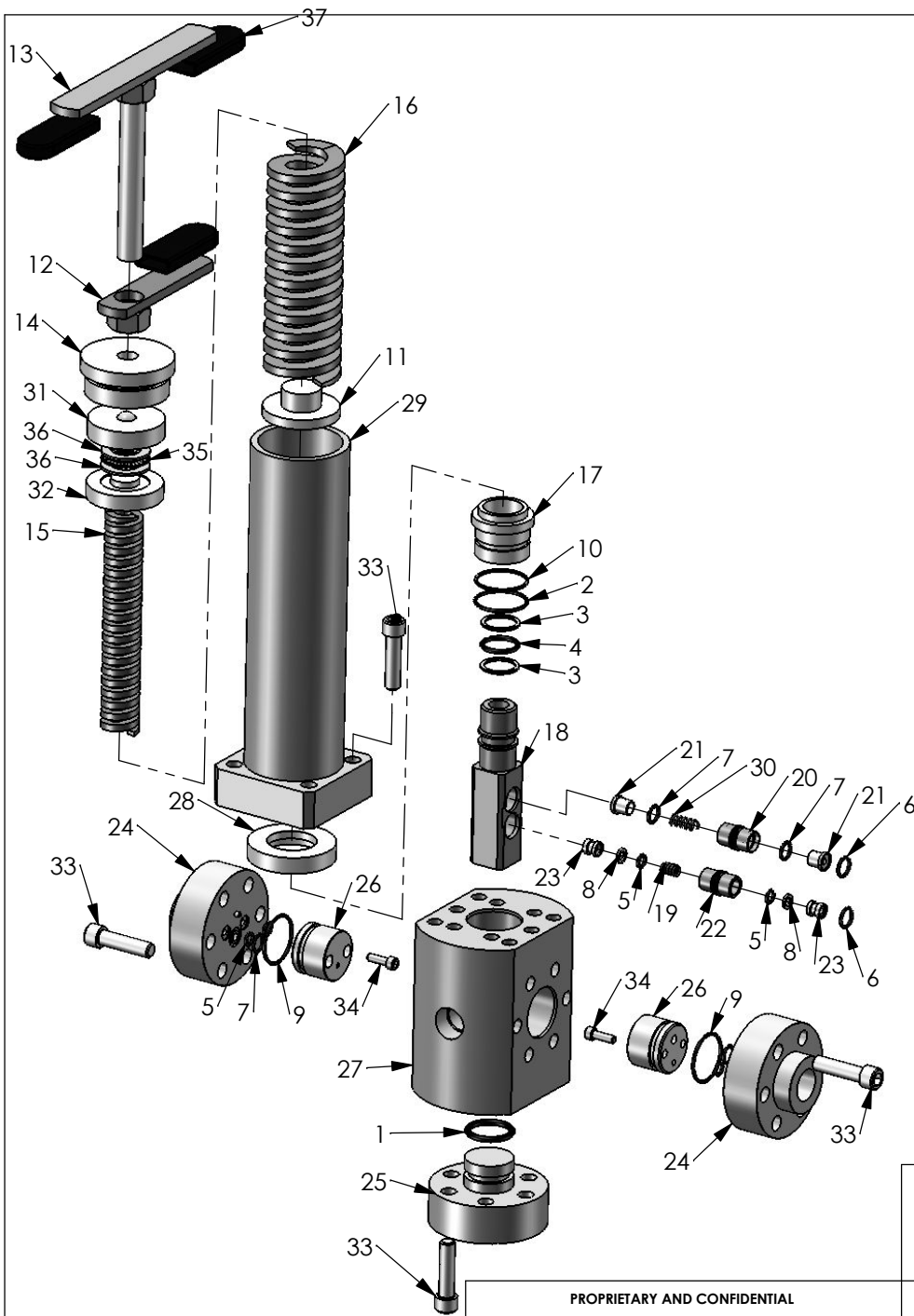
MATERIAL:
 • BODY: CARBON STEEL
 • FLANGES & OPERATORS: CARBON STEEL
 • INTERNAL: STAINLESS STEEL & BRASS
 • O-RINGS: BUNA (NITRILE)
 • BACKUPS: TEFLON

TEMPERATURE RATING: -30° TO 180°F
 WEIGHT: 31 LBS

PROPRIETARY AND CONFIDENTIAL
 THE INFORMATION CONTAINED IN THIS DRAWING IS THE SOLE PROPERTY OF PacSeal Hydraulics. ANY REPRODUCTION IN PART OR AS A WHOLE WITHOUT THE WRITTEN PERMISSION OF PacSeal Hydraulics IS PROHIBITED.

PacSeal Hydraulics Inc.
 VALVES, ACCUMULATORS, CONTROLS

TITLE Regulator, KR-12M	SIZE A	DWG. NO. 40-1498	REV 3
SCALE: 1:3		WEIGHT: 29	SHEET 1 OF 2



ITEM NO.	PART NUMBER	DESCRIPTION	QTY.
1	23-1141	O-Ring	1
2	23-1325	O-Ring	1
3	23-1331	Backup Ring	2
4	23-1332	O-Ring	1
5	23-1335	O-Ring	6
6	23-1343	O-Ring	2
7	23-1344	O-Ring	4
8	23-1345	Backup Ring	2
9	23-1400	O-Ring	2
10	23-1433	Backup Ring	1
11	40-0134	Spring Plate	1
12	40-0135	Lock Handle	1
13	40-0136	Adjusting Screw & Handle	1
14	40-0140	Plug, Adjustment Head	1
15	40-0144	Spring, Inner	1
16	40-0189	Spring, Outer	1
17	40-0330	Piston Guide	1
18	40-0331	Seal Container	1
19	40-0332	Spring, Supply	1
20	40-0333	Seal Cage, Vent	1
21	40-0334	Seal Ring, Vent	2
22	40-0335	Seal Cage, Inlet	1
23	40-0336	Seal Ring, Supply	2
24	40-0337	Flange	2
25	40-0339	Flange, Lower	1
26	40-0340	Flow Plate, Supply & Vent KR-12	2
27	40-0341	Body	1
28	40-0345	Adapter	1
29	40-0388	Adjustment Head	1
30	40-0863	Spring, Vent	1
31	40-1161	Upper Bearing Body	1
32	40-1163	Lower Bearing Body	1
33	50-0069	Bolt, SHCS	22
34	50-0084	Bolt, SHCS	4
35	50-0157B	Bearing, NTA-1220	1
36	50-0157T	Thrust Washer, TRB-1220	2
37	50-0239	Grip, Handle	3

PacSeal Hydraulics Inc.

VALVES, ACCUMULATORS, CONTROLS

PROPRIETARY AND CONFIDENTIAL
 THE INFORMATION CONTAINED IN THIS DRAWING IS THE SOLE PROPERTY OF PacSeal Hydraulics. ANY REPRODUCTION IN PART OR AS A WHOLE WITHOUT THE WRITTEN PERMISSION OF PacSeal Hydraulics IS PROHIBITED.

TITLE	SIZE	DWG. NO.	REV
Regulator, KR-12M	A	40-1498	3
SCALE: 1:3	WEIGHT: 29	SHEET 2 OF 2	