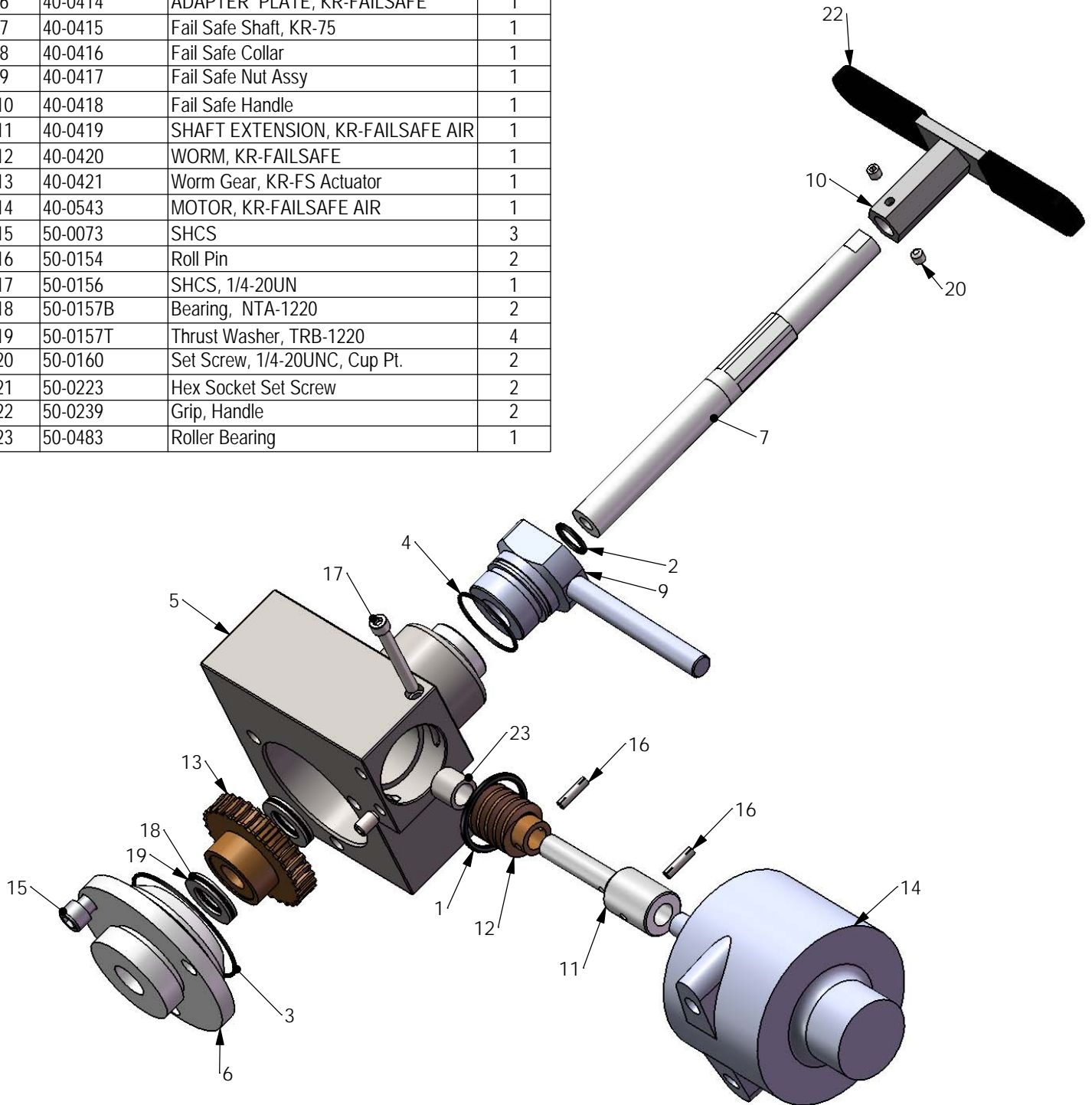


ITEM NO.	PART NUMBER	DESCRIPTION	QTY.
1	23-1123	O-Ring	1
2	23-1385	O-Ring	1
3	23-1404	O-Ring	1
4	23-1405	O-Ring	1
5	40-0413	Fail Safe Body	1
6	40-0414	ADAPTER PLATE, KR-FAILSAFE	1
7	40-0415	Fail Safe Shaft, KR-75	1
8	40-0416	Fail Safe Collar	1
9	40-0417	Fail Safe Nut Assy	1
10	40-0418	Fail Safe Handle	1
11	40-0419	SHAFT EXTENSION, KR-FAILSAFE AIR	1
12	40-0420	WORM, KR-FAILSAFE	1
13	40-0421	Worm Gear, KR-FS Actuator	1
14	40-0543	MOTOR, KR-FAILSAFE AIR	1
15	50-0073	SHCS	3
16	50-0154	Roll Pin	2
17	50-0156	SHCS, 1/4-20UN	1
18	50-0157B	Bearing, NTA-1220	2
19	50-0157T	Thrust Washer, TRB-1220	4
20	50-0160	Set Screw, 1/4-20UNC, Cup Pt.	2
21	50-0223	Hex Socket Set Screw	2
22	50-0239	Grip, Handle	2
23	50-0483	Roller Bearing	1



PACSEAL HYDRAULICS INC.

VALVES, ACCUMULATORS, CONTROLS

PROPRIETARY AND CONFIDENTIAL

THE INFORMATION CONTAINED IN THIS DRAWING IS THE SOLE PROPERTY OF PacSeal Hydraulics. ANY REPRODUCTION IN PART OR AS A WHOLE WITHOUT THE WRITTEN PERMISSION OF PacSeal Hydraulics IS PROHIBITED.

TITLE:

Actuator, KR FSA L.P.

SIZE
A

DWG. NO.

40-1564

REV
C

SCALE: 1:3

WEIGHT: 26

SHEET 1 OF 1

40-1564