

MODEL No. KR-100N5RFSA

- MAX INLET: 5000 PSI
- REGULATED OUTLET: 300-2200 PSI
- SPECIFIED FLOW: 75 GPM
- Cv Outlet: 9.40
- Cv Vent: 1.40
- SUPPLY PORT: 1" NPT (DUAL)
- REGULATED OUTLET: 1-1/2" NPT
- VENT PORT: 1" NPT
- OPERATOR: FAIL SAFE AIR MOTOR

MATERIAL:

- BODY: CARBON STEEL
- FLANGES & OPERATORS: CARBON STEEL
- INTERNAL: STAINLESS STEEL & BRASS
- O-RINGS: BUNA (NITRILE)
- BACKUPS: TEFLON

TEMPERATURE RATING: -30°F TO 180°F  
EST. WEIGHT: 91 LBS

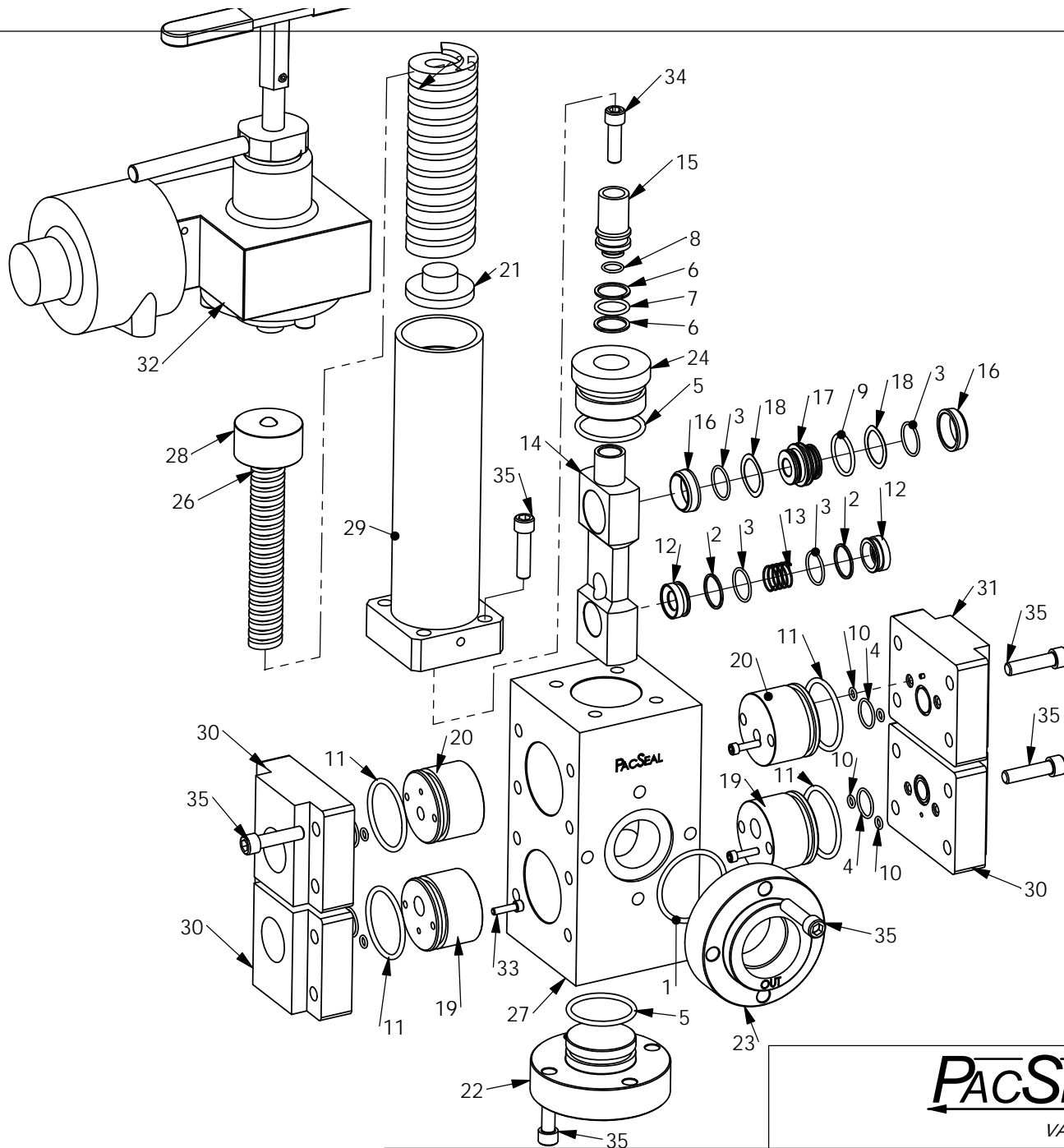
NOTE:

1. TURN CLOCKWISE TO LOCK FOR FAILSAFE AIR OPERATION
2. TURN COUNTER-CLOCKWISE TO UNLOCK FOR MANUAL OPERATION

**PacSeal HYDRAULICS Inc.**

VALVES, ACCUMULATORS, CONTROLS

<p><b>PROPRIETARY AND CONFIDENTIAL</b></p> <p>THE INFORMATION CONTAINED IN THIS DRAWING IS THE SOLE PROPERTY OF PacSeal Hydraulics. ANY REPRODUCTION IN PART OR AS A WHOLE WITHOUT THE WRITTEN PERMISSION OF PacSeal Hydraulics IS PROHIBITED.</p>	TITLE		SIZE	DWG. NO.	REV
	Regulator, KR-100 FSA		<b>A</b>	<b>40-1669</b>	<b>4</b>
			SCALE: 1:5	SHEET 1 OF 2	



ITEM NO.	PART NUMBER	DESCRIPTION	QTY.
1	23-1126	O-Ring	1
2	23-1322	Backup Ring	2
3	23-1323	O-Ring	4
4	23-1326	O-Ring	4
5	23-1330	O-Ring	2
6	23-1331	Backup Ring	2
7	23-1332	O-Ring	1
8	23-1333	O-Ring	1
9	23-1334	O-Ring	1
10	23-1335	O-Ring	8
11	23-1336	O-Ring	4
12	40-0014	Seal Ring, Supply	2
13	40-0110	Spring	1
14	40-0111	Seal Container	1
15	40-0112	Piston, KR-100M	1
16	40-0113	Seal Ring- Vent	2
17	40-0114	Valve, Cage	1
18	40-0115	Wave Spring	2
19	40-0117	Flow Plate, Supply KR-100	2
20	40-0118	Flow Plate, Vent KR-100	2
21	40-0134	Spring Plate	1
22	40-0137	Flange, Lower	1
23	40-0138	Flange, Outlet	1
24	40-0139	Guide Plunger	1
25	40-0143	Spring, Outer	1
26	40-0144	Spring, Inner	1
27	40-0148	Body, KR-100	1
28	40-0300	Spring Guide	1
29	40-0388	Adjustment Head	1
30	40-0958	Flange, Inlet & Vent	3
31	40-0959	Flange, Blind	1
32	40-1649	Actuator, KR FSA H.P.	1
33	50-0067	Bolt, SHCS	8
34	50-0068	Bolt, SHCS	1
35	50-0069	Bolt, SHCS	28

# PacSEAL HYDRAULICS INC.

VALVES, ACCUMULATORS, CONTROLS

**PROPRIETARY AND CONFIDENTIAL**  
 THE INFORMATION CONTAINED IN THIS DRAWING IS THE SOLE PROPERTY OF PacSeal Hydraulics. ANY REPRODUCTION IN PART OR AS A WHOLE WITHOUT THE WRITTEN PERMISSION OF PacSeal Hydraulics IS PROHIBITED.

TITLE	SIZE	DWG. NO.	REV
Regulator, KR-100 FSA	<b>A</b>	40-1669	4
SCALE: 1:5		SHEET 2 OF 2	