

MODEL No. KR-75N5PH  
 MAX INLET: 5000 PSI  
 REGULATED OUTLET: 50-5000 PSI  
 SPECIFIED FLOW: 75 GPM  
 Cv Outlet: 9.40  
 Cv Vent: 1.40  
 SUPPLY PORT: 1" NPT  
 REGULATED OUTLET: 1" NPT  
 VENT PORT: 1/2" NPT  
 PILOT PORT: 1/2" NPT  
 OPERATOR: HYDRAULIC PILOT  
 MATERIAL:

- BODY: STAINLESS STEEL
- FLANGES & OPERATORS: CARBON STEEL
- INTERNAL: STAINLESS STEEL
- O-RINGS :BUNA (NITRILE)
- BACKUPS: TEFLON

TEMPERATURE RATING: -30°F TO 180°F  
 WEIGHT: 41 LBS

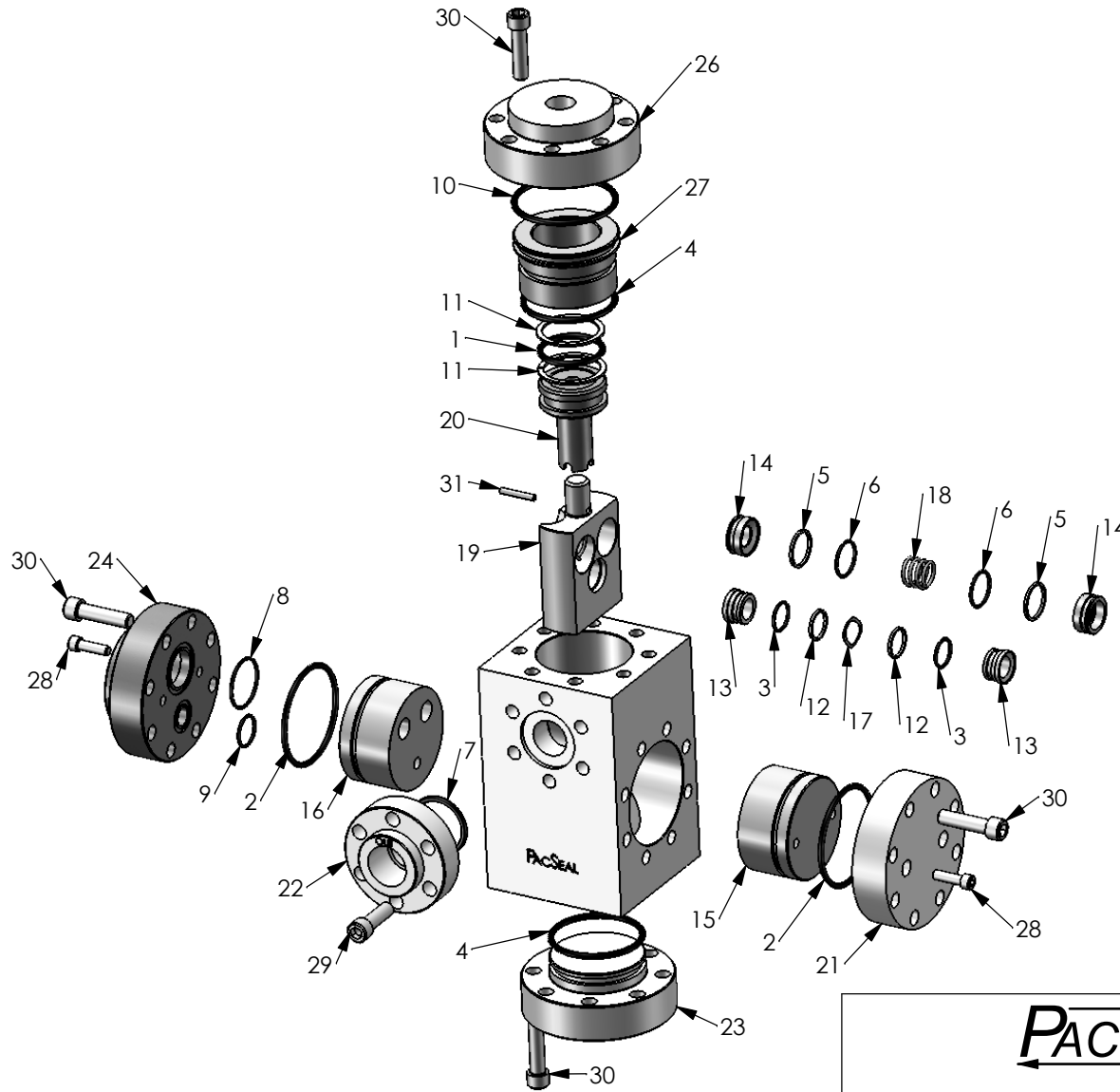
**PROPRIETARY AND CONFIDENTIAL**

THE INFORMATION CONTAINED IN THIS DRAWING IS THE SOLE PROPERTY OF PacSeal Hydraulics. ANY REPRODUCTION IN PART OR AS A WHOLE WITHOUT THE WRITTEN PERMISSION OF PacSeal Hydraulics IS PROHIBITED.

**PACSEAL HYDRAULICS INC.**

VALVES, ACCUMULATORS, CONTROLS

TITLE	SIZE	DWG. NO.	REV
Regulator, KR-75 Hydraulic Pilot	<b>A</b>	40-1696	2
	SCALE: 1:3	WEIGHT: 41	SHEET 1 OF 2



ITEM NO.	PART NUMBER	DESCRIPTION	QTY.
1	23-1123	O-Ring	1
2	23-1263	O-Ring	2
3	23-1293	O-Ring	2
4	23-1319	O-Ring	2
5	23-1322	Backup Ring	4
6	23-1323	O-Ring	4
7	23-1324	O-Ring	1
8	23-1325	O-Ring	1
9	23-1326	O-Ring	1
10	23-1327	O-Ring	1
11	23-1328	Backup Ring	2
12	23-1329	Backup Ring	2
13	40-0013	Seal Ring, Vent, KR-75	2
14	40-0014	Seal Ring, Supply	4
15	40-0015	Flow Plate, Blind	1
16	40-0016	Flow Plate	1
17	40-0109	Wave Spring	1
18	40-0110	Compression Spring	2
19	40-0182	Seal Container	1
20	40-0183	Plunger, KR-75 (A&H)	1
21	40-0195	Flange, Blind	1
22	40-0196	Flange, Outlet	1
23	40-0197	Flange, Lower	1
24	40-0198	Flange, Main	1
25	40-0200	Body, KR-75	1
26	40-0298	Hydraulic Head	1
27	40-0299	Plunger Guide	1
28	50-0066	SHCS	4
29	50-0068	Bolt, SHCS	6
30	50-0069	Bolt, SHCS	32
31	50-0117	Roll Pin	1

# PACSEAL HYDRAULICS INC.

VALVES, ACCUMULATORS, CONTROLS

**PROPRIETARY AND CONFIDENTIAL**  
 THE INFORMATION CONTAINED IN THIS DRAWING IS THE SOLE PROPERTY OF PacSeal Hydraulics. ANY REPRODUCTION IN PART OR AS A WHOLE WITHOUT THE WRITTEN PERMISSION OF PacSeal Hydraulics IS PROHIBITED.

TITLE  
**Regulator, KR-75 Hydraulic Pilot**

SIZE	DWG. NO.	REV
<b>A</b>	<b>40-1696</b>	<b>2</b>
SCALE: 1:5		SHEET 2 OF 2