

MODEL No: KR-38N5HFSA

MAX INLET: 5000 PSI
 REGULATED OUTLET: 300-3000 PSI
 SPECIFIED FLOW: 15 GPM
 Cv Outlet: 1.84
 Cv Vent: 1.84
 SUPPLY PORT: 1/2" NPT
 REGULATED OUTLET: 1/2" NPT
 VENT PORT: 1/2" NPT
 OPERATOR: FAILSAFE AIR (1/4" NPT)
 (MAX PRESSURE: 100 PSI)

MATERIAL:

- BODY: CARBON STEEL
- FLANGES & OPERATORS: CARBON STEEL
- INTERNAL: STAINLESS STEEL
- O-RINGS: BUNA (NITRILE)
- BACKUPS: TEFLON

NOTE:

1. TURN CLOCKWISE TO LOCK FOR FAILSAFE AIR OPERATION
2. TURN COUNTER-CLOCKWISE TO UNLOCK FOR MANUAL OPERATION

TEMPERATURE RATING: -30° TO 180°F
 EST WEIGHT: 55 LBS

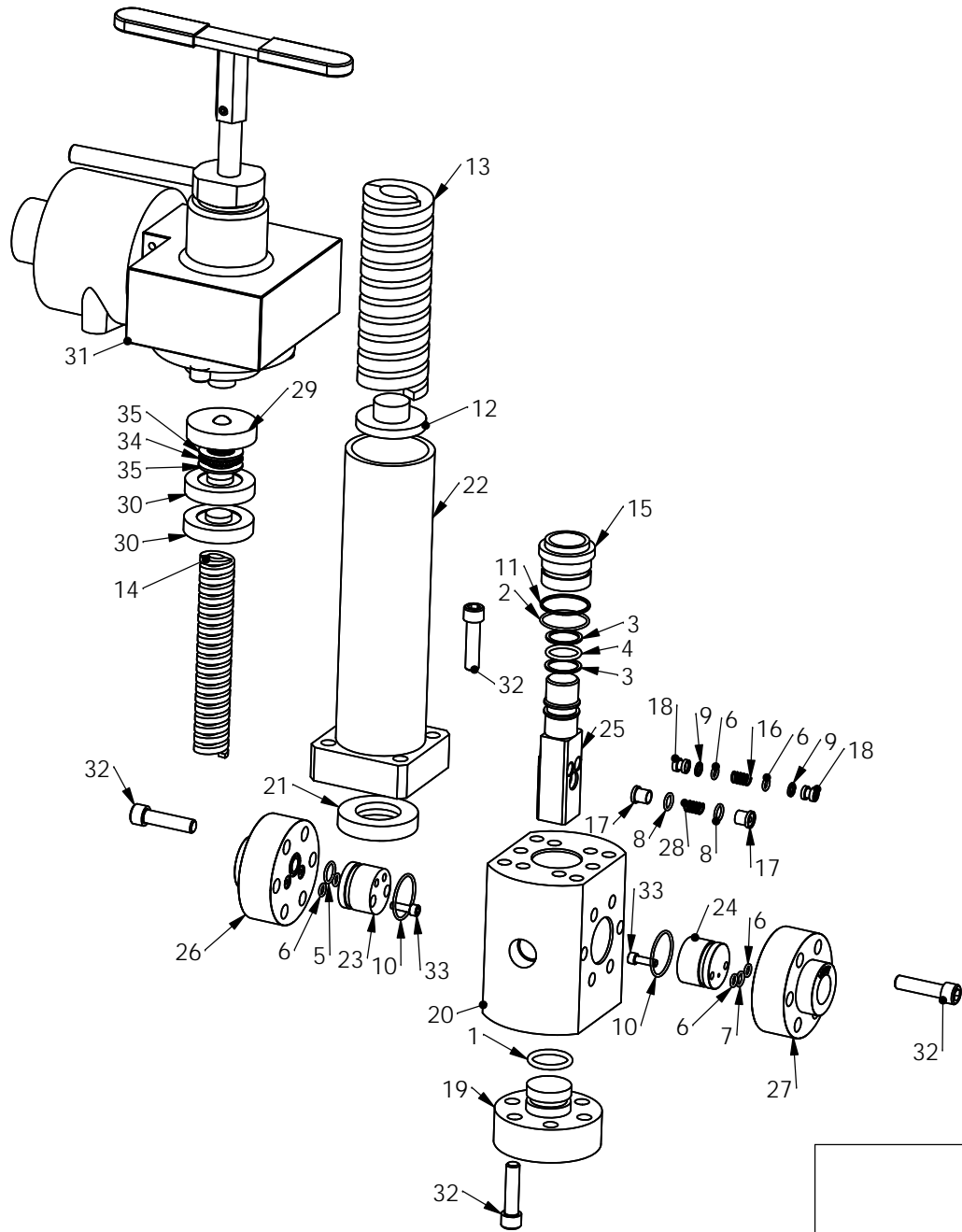
PROPRIETARY AND CONFIDENTIAL

THE INFORMATION CONTAINED IN THIS DRAWING IS THE SOLE PROPERTY OF PacSeal Hydraulics. ANY REPRODUCTION IN PART OR AS A WHOLE WITHOUT THE WRITTEN PERMISSION OF PacSeal Hydraulics IS PROHIBITED.

PacSeal Hydraulics Inc.

VALVES, ACCUMULATORS, CONTROLS

TITLE	SIZE	DWG. NO.	REV
Regulator, KR-38 w/ FailSafeAir Operator	A	40-1715	3
SCALE: 1:4	WEIGHT: 55	SHEET 1 OF 2	



ITEM NO.	PART NUMBER	DESCRIPTION	QTY.
1	23-1141	O-Ring	1
2	23-1325	O-Ring	1
3	23-1331	Backup Ring	2
4	23-1332	O-Ring	1
5	23-1333	O-Ring	1
6	23-1335	O-Ring	8
7	23-1338	O-Ring	1
8	23-1344	O-Ring	2
9	23-1345	Backup Ring	4
10	23-1400	O-Ring	2
11	23-1433	Backup Ring	1
12	40-0134	Spring Plate	1
13	40-0143	Spring, Outer	1
14	40-0144	Spring, Inner	1
15	40-0330	Piston Guide	1
16	40-0332	Compression Spring	2
17	40-0334	Seal Ring, Vent	2
18	40-0336	Seal Ring, Supply	4
19	40-0339	Flange, Lower	1
20	40-0341	Body	1
21	40-0345	Adapter	1
22	40-0388	Adjustment Head	1
23	40-0396	Flow Plate, Supply	1
24	40-0397	Flow Plate, Vent KR-38	1
25	40-0398	Seal Container	1
26	40-0399	Flange, Supply	1
27	40-0400	Flange- Vent	1
28	40-0863	Compression Spring	1
29	40-1161	Upper Bearing Body	1
30	40-1163	Lower Bearing Body	2
31	40-1564	Actuator, KR FSA L.P.	1
32	50-0069	Bolt, SHCS	22
33	50-0084	Bolt	4
34	50-0157B	Bearing, NTA-1220	1
35	50-0157T	Thrust Washer, TRB-1220	2

PACSEAL HYDRAULICS INC.

VALVES, ACCUMULATORS, CONTROLS

PROPRIETARY AND CONFIDENTIAL
 THE INFORMATION CONTAINED IN THIS DRAWING IS THE SOLE PROPERTY OF PacSeal Hydraulics. ANY REPRODUCTION IN PART OR AS A WHOLE WITHOUT THE WRITTEN PERMISSION OF PacSeal Hydraulics IS PROHIBITED.

TITLE
**Regulator, KR-38 w/
 FailSafeAir Operator**

SIZE A	DWG. NO. 40-1715	REV 3
SCALE: 1:5	WEIGHT: 55	SHEET 2 OF 2