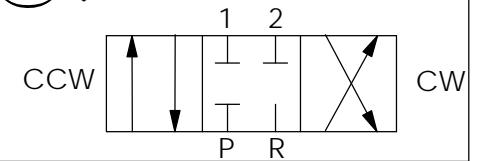


- WORKING PRESSURE: 3000 PSI
 AIR ACTUATOR: 80-150 PSI
 MATERIAL:
- SV BODY: 416 SS
 - HOUSING: Carbon Steel
 - INTERNAL SEALING COMPONENTS: 440c SS
 - AIR ACTUATOR:
Body: 6061-T6 Alu



MODEL NO: **SVx-25 2N3IS1ASN**
 ROTOR: Selector
 ALL PORTS: 1/4" NPT
 WORKING PRESSURE: 3000 PSI
 RETURN PORT: 250 PSI MAX
 Cv: .95
 FLOW: 10 (GPM)
 TEMP RATING: -30° TO 180°F

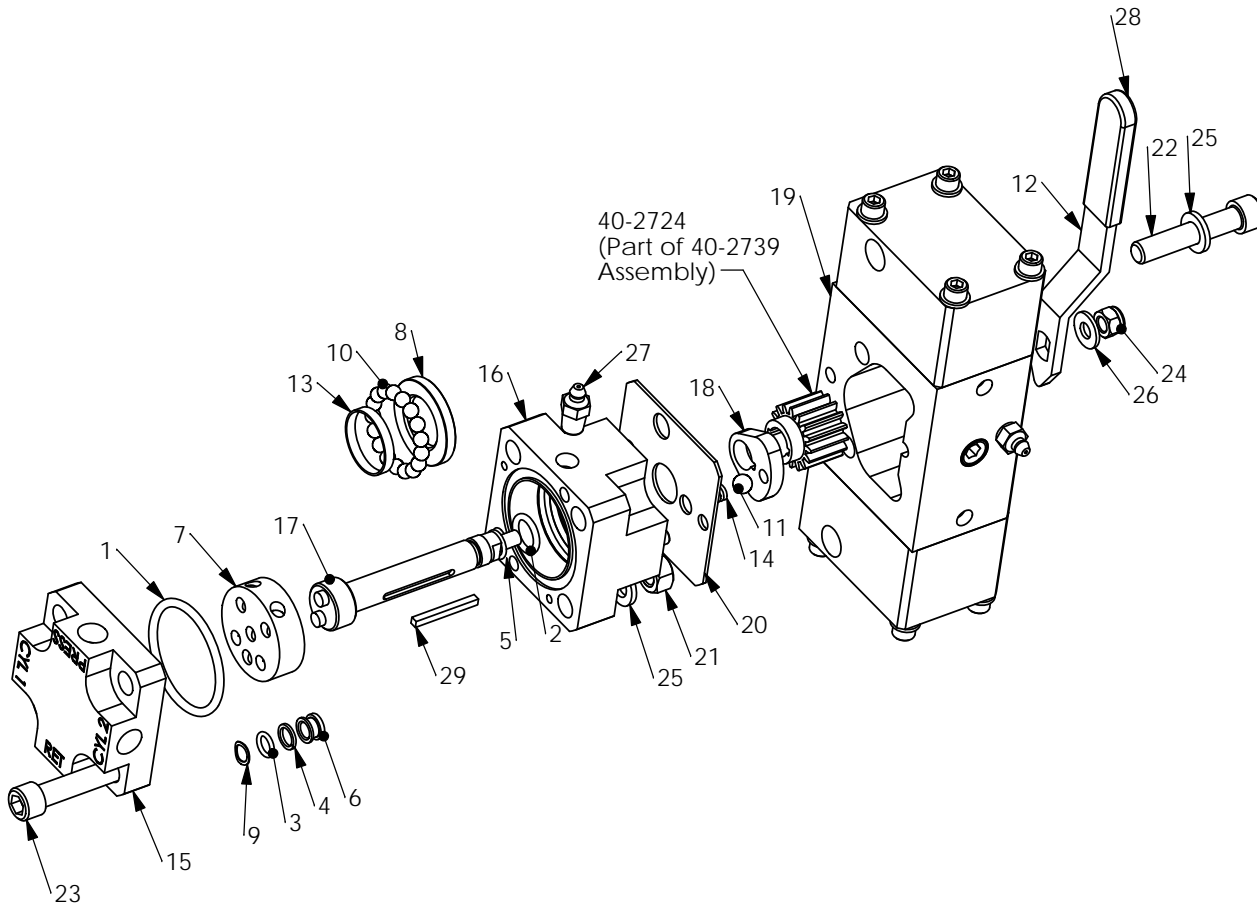
PROPRIETARY AND CONFIDENTIAL
 THE INFORMATION CONTAINED IN THIS DRAWING IS THE SOLE PROPERTY OF PacSeal Hydraulics. ANY REPRODUCTION IN PART OR AS A WHOLE WITHOUT THE WRITTEN PERMISSION OF PacSeal Hydraulics IS PROHIBITED.

TITLE
**SVx-25 4-Way Inline Ported,
 w/ Aluminum Air Actuator**

PacSeal Hydraulics Inc.

VALVES, ACCUMULATORS, CONTROLS

| | | |
|------------------|----------------------------|-----------------|
| SIZE A | DWG. NO. 40-2680 | REV 3 |
| SCALE: 1:2 | WEIGHT: 8 | SHEET 1 OF 2 |



| ITEM NO. | PART NUMBER | Rev | DESCRIPTION | QTY. |
|----------|-------------|-----|----------------------------------|------|
| 1 | 23-1330 | | O-Ring | 1 |
| 2 | 23-1337 | | O-Ring | 1 |
| 3 | 23-1338 | | O-Ring | 3 |
| 4 | 23-1339 | | Backup Ring | 3 |
| 5 | 23-1344 | | O-Ring | 1 |
| 6 | 40-0001 | D | Seal Ring | 3 |
| 7 | 40-0002 | 1 | Rotor, Selector | 1 |
| 8 | 40-0003 | C | Thrust Washer | 1 |
| 9 | 40-0028 | | Wave Spring | 3 |
| 10 | 40-0048 | | Ball, Bearing | 17 |
| 11 | 40-0259 | | Ball, Bearing | 1 |
| 12 | 40-0279 | 02 | Handle, SV-25 | 1 |
| 13 | 40-0294 | M | SV-25 Ball Retainer | 1 |
| 14 | 40-0297 | 1 | Spring | 1 |
| 15 | 40-2310 | C | Body, SV-25 1/4" Inline Ported | 1 |
| 16 | 40-2716 | 1 | Housing, SVx-25 | 1 |
| 17 | 40-2717 | 1 | Shaft, SVx-25A | 1 |
| 18 | 40-2718 | A | Detent, SVx-25 | 1 |
| 19 | 40-2739 | 1 | Air Actuator Ass'y, SVx-25 | 1 |
| 20 | 40-2785 | A | Aluminum Gasket, SVx-25 Actuator | 1 |
| 21 | 50-0078 | | Hex Nut | 4 |
| 22 | 50-0080 | | SHCS | 2 |
| 23 | 50-0083 | | SHCS | 4 |
| 24 | 50-0091 | | Locknut | 1 |
| 25 | 50-0103 | | Lock Washer | 6 |
| 26 | 50-0106 | | Washer, Shaft | 1 |
| 27 | 50-0176 | 1 | Grease Fitting | 1 |
| 28 | 50-0238 | A | Grip, Handle | 1 |
| 29 | 50-0444 | | Key | 1 |

PACSEAL HYDRAULICS INC.

VALVES, ACCUMULATORS, CONTROLS

PROPRIETARY AND CONFIDENTIAL
 THE INFORMATION CONTAINED IN THIS DRAWING IS THE SOLE PROPERTY OF PacSeal Hydraulics.
 ANY REPRODUCTION IN PART OR AS A WHOLE WITHOUT THE WRITTEN PERMISSION OF PacSeal Hydraulics IS PROHIBITED.

TITLE
 SVx-25 4-Way Inline Ported,
 w/ Aluminum Air Actuator

| | | |
|------------|----------------|--------------|
| SIZE | DWG. NO. | REV |
| A | 40-2680 | 3 |
| SCALE: 1:2 | WEIGHT: 8 | SHEET 2 OF 2 |