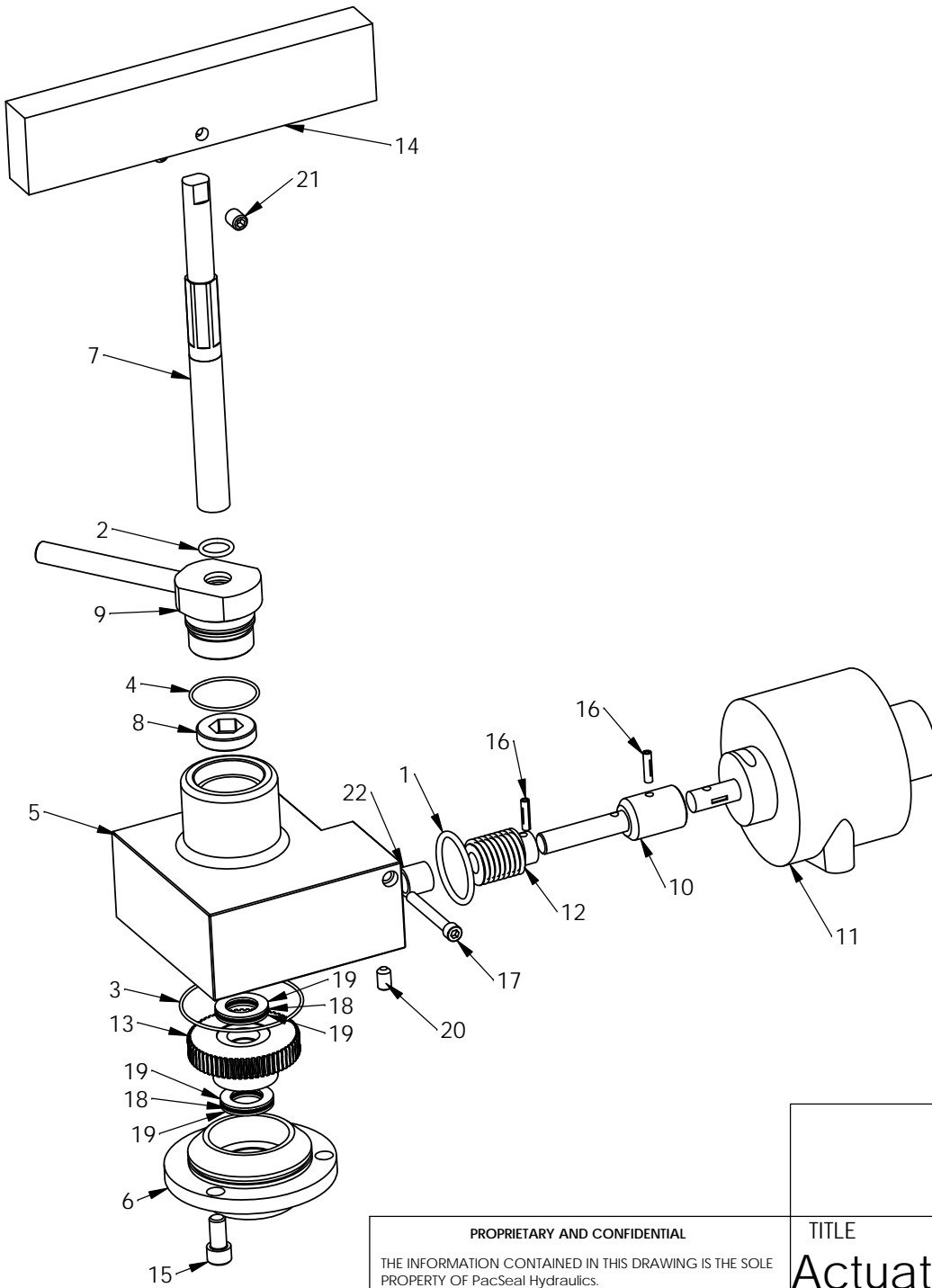


PACSEAL HYDRAULICS INC.

VALVES, ACCUMULATORS, CONTROLS

<p>PROPRIETARY AND CONFIDENTIAL</p> <p>THE INFORMATION CONTAINED IN THIS DRAWING IS THE SOLE PROPERTY OF PacSeal Hydraulics. ANY REPRODUCTION IN PART OR AS A WHOLE WITHOUT THE WRITTEN PERMISSION OF PacSeal Hydraulics IS PROHIBITED.</p>	TITLE	SIZE	DWG. NO.	REV
	Actuator, KR L-HP FSA	A	40-2737	1
		SCALE: 1:4	WEIGHT: 31	SHEET 1 OF 2



ITEM NO.	PART NUMBER	DESCRIPTION	QTY.
1	23-1123	O-Ring	1
2	23-1385	O-Ring	1
3	23-1404	O-Ring	1
4	23-1405	O-Ring	1
5	40-0413	Fail Safe Body	1
6	40-0414	ADAPTER PLATE, KR-FAILSAFE	1
7	40-0415	Fail Safe Shaft, KR-75	1
8	40-0416	Fail Safe Collar	1
9	40-0417	Fail Safe Nut Assy	1
10	40-0419	SHAFT EXTENSION, KR-FAILSAFE AIR	1
11	40-0543	MOTOR, KR-FAILSAFE AIR	1
12	40-2742	Worm, FS-HP Actuator	1
13	40-2743	Worm Gear, FS-HP	1
14	40-3237	Handle, Fail Safe HP	1
15	50-0073	SHCS	3
16	50-0154	Roll Pin	2
17	50-0156	SHCS, 1/4-20UN	1
18	50-0157B	Bearing, NTA-1220	2
19	50-0157T	Thrust Washer, TRB-1220	4
20	50-0223	Hex Socket Set Screw	2
21	50-0482	Set Screw, Cup Point, 3/8-16UN x .50 Lg	2
22	50-0483	Roller Bearing	1

PACSEAL HYDRAULICS INC.

VALVES, ACCUMULATORS, CONTROLS

PROPRIETARY AND CONFIDENTIAL
 THE INFORMATION CONTAINED IN THIS DRAWING IS THE SOLE PROPERTY OF PacSeal Hydraulics. ANY REPRODUCTION IN PART OR AS A WHOLE WITHOUT THE WRITTEN PERMISSION OF PacSeal Hydraulics IS PROHIBITED.

TITLE	SIZE	DWG. NO.	REV
Actuator, KR L-HP FSA	A	40-2737	1
SCALE: 1:4		WEIGHT: 31	SHEET 2 OF 2