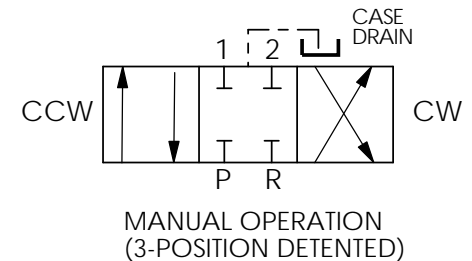


- W.P. : 3000 PSI
- RETURN PORT: 250 PSI (MAX)
- SERVICE: TOP SIDE (SPLASH ZONE)
- MATERIALS:
 EXTERNAL: 316 SS
 INTERNAL (SEALING): 440c, 416, 316
 INTERNAL (NON SEALING):
 CARBON STEEL w/ ZINC PLATE



MODEL NO: SVT-25 3A1MN
 ROTOR: All Ports Blocked
 ALL PORTS: #4 SAE
 WORKING PRESSURE: 3000 PSI
 RETURN PORT: 250 PSI MAX
 Cv: .95
 Flow (GPM): 10
 TEMP RATING: -30° TO 180°F

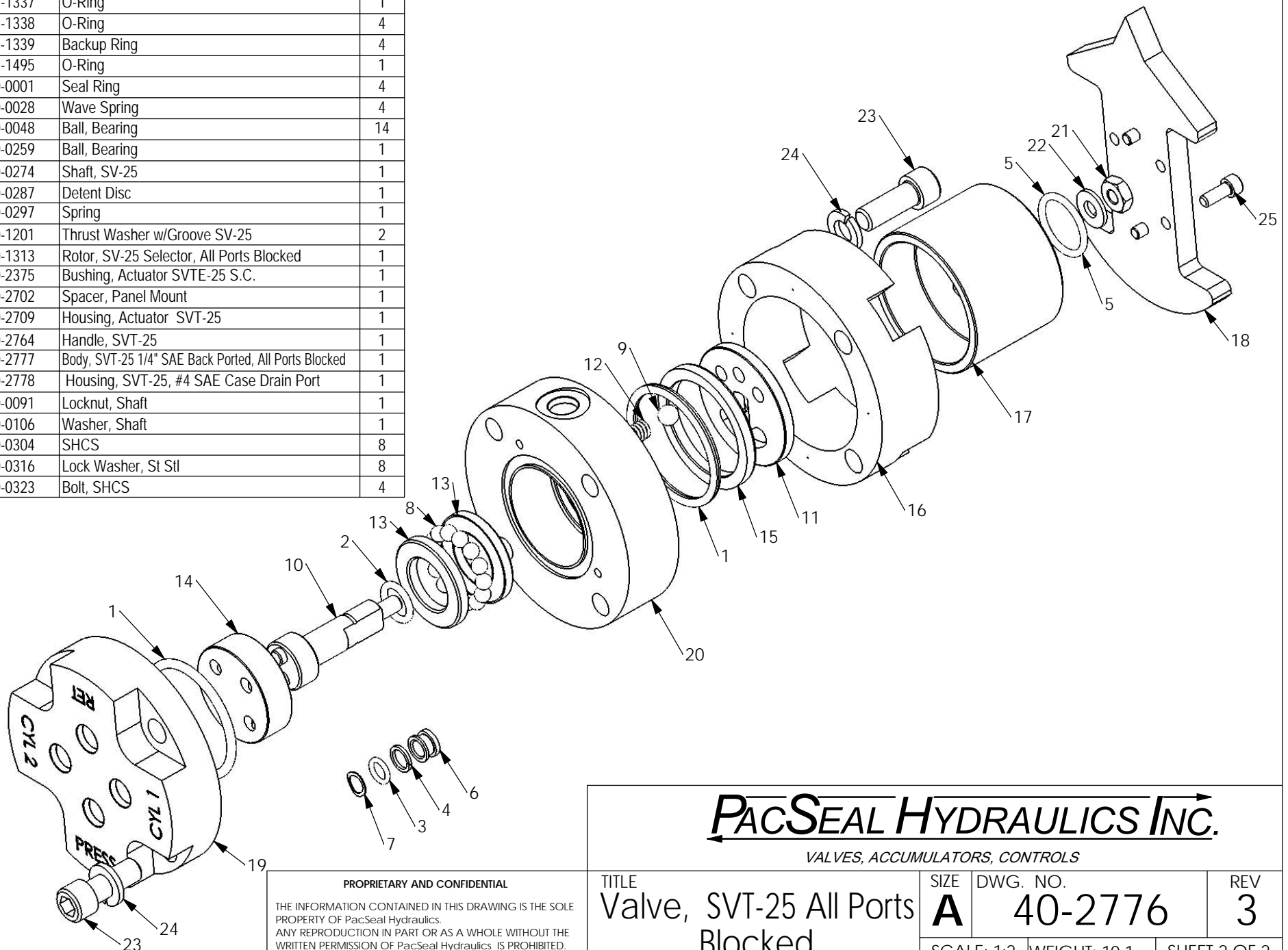
PROPRIETARY AND CONFIDENTIAL
 THE INFORMATION CONTAINED IN THIS DRAWING IS THE SOLE PROPERTY OF PacSeal Hydraulics.
 ANY REPRODUCTION IN PART OR AS A WHOLE WITHOUT THE WRITTEN PERMISSION OF PacSeal Hydraulics IS PROHIBITED.

PACSEAL HYDRAULICS INC.

VALVES, ACCUMULATORS, CONTROLS

TITLE Valve, SVT-25 All Ports Blocked	SIZE A	DWG. NO. 40-2776	REV 3
	SCALE: 1:2	WEIGHT: 10.1	SHEET 1 OF 2

ITEM NO.	PART NUMBER	DESCRIPTION	QTY.
1	23-1330	O-Ring	2
2	23-1337	O-Ring	1
3	23-1338	O-Ring	4
4	23-1339	Backup Ring	4
5	23-1495	O-Ring	1
6	40-0001	Seal Ring	4
7	40-0028	Wave Spring	4
8	40-0048	Ball, Bearing	14
9	40-0259	Ball, Bearing	1
10	40-0274	Shaft, SV-25	1
11	40-0287	Detent Disc	1
12	40-0297	Spring	1
13	40-1201	Thrust Washer w/Groove SV-25	2
14	40-1313	Rotor, SV-25 Selector, All Ports Blocked	1
15	40-2375	Bushing, Actuator SVTE-25 S.C.	1
16	40-2702	Spacer, Panel Mount	1
17	40-2709	Housing, Actuator SVT-25	1
18	40-2764	Handle, SVT-25	1
19	40-2777	Body, SVT-25 1/4" SAE Back Ported, All Ports Blocked	1
20	40-2778	Housing, SVT-25, #4 SAE Case Drain Port	1
21	50-0091	Locknut, Shaft	1
22	50-0106	Washer, Shaft	1
23	50-0304	SHCS	8
24	50-0316	Lock Washer, St Stl	8
25	50-0323	Bolt, SHCS	4



PacSeal Hydraulics Inc.

VALVES, ACCUMULATORS, CONTROLS

PROPRIETARY AND CONFIDENTIAL
 THE INFORMATION CONTAINED IN THIS DRAWING IS THE SOLE PROPERTY OF PacSeal Hydraulics. ANY REPRODUCTION IN PART OR AS A WHOLE WITHOUT THE WRITTEN PERMISSION OF PacSeal Hydraulics IS PROHIBITED.

TITLE
Valve, SVT-25 All Ports Blocked

SIZE A	DWG. NO. 40-2776	REV 3
SCALE: 1:2	WEIGHT: 10.1	SHEET 2 OF 2