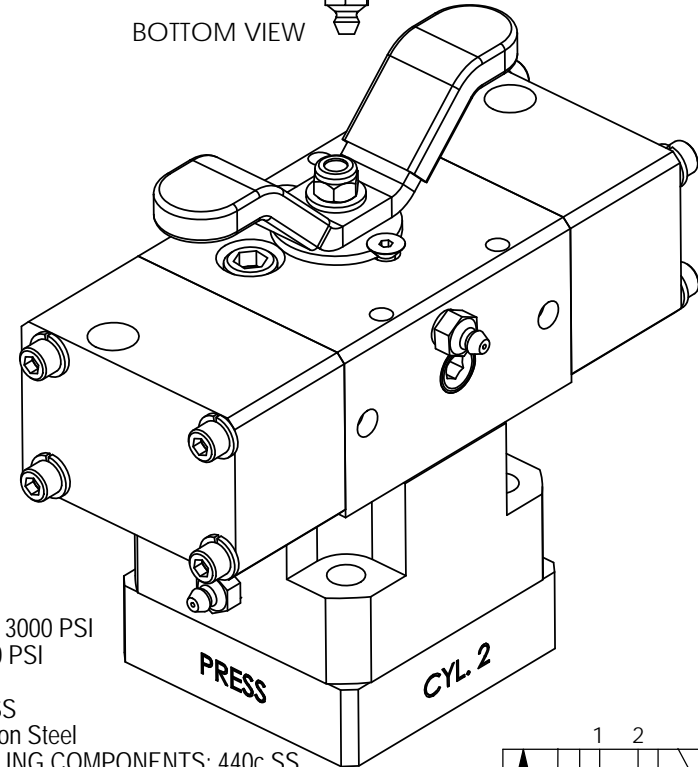
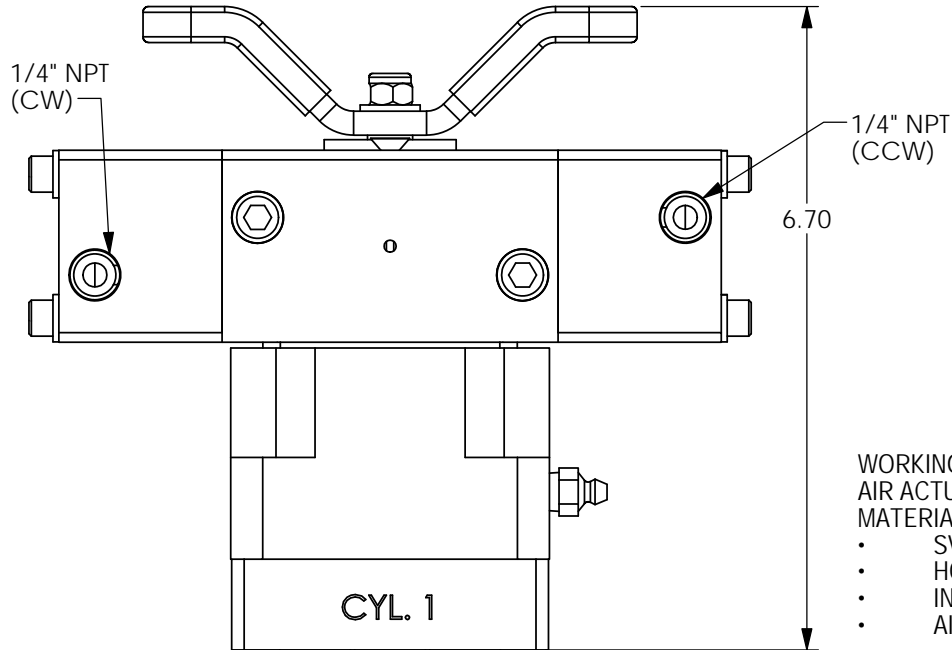
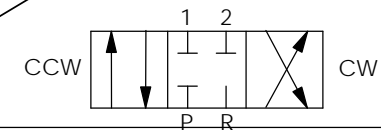


BOTTOM VIEW



WORKING PRESSURE: 3000 PSI
 AIR ACTUATOR: 80-150 PSI
 MATERIAL:
 • SV BODY: 416 SS
 • HOUSING: Carbon Steel
 • INTERNAL SEALING COMPONENTS: 440c SS
 • AIR ACTUATOR:
 Body: 6061-T6 Alu

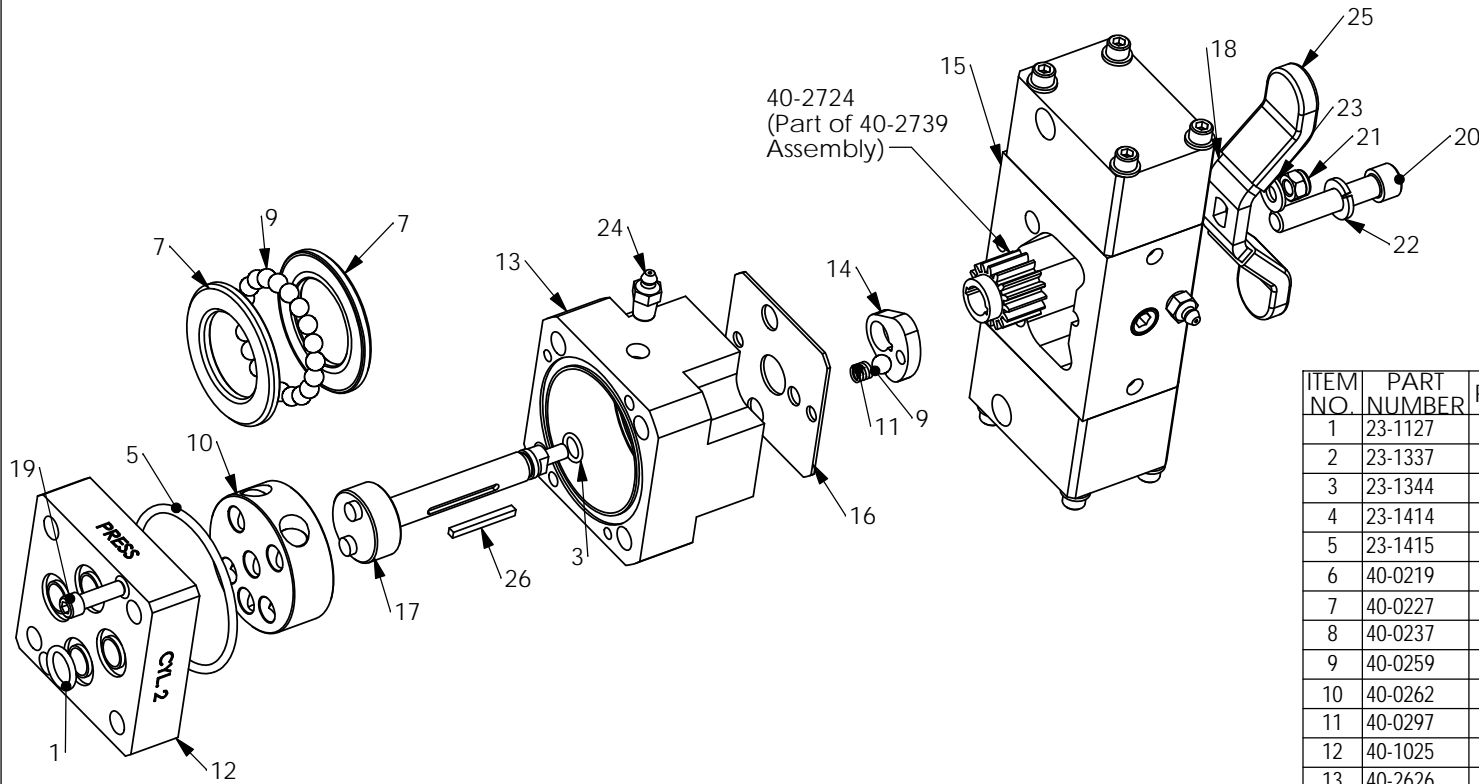


MODEL NO: **SVx-50 4M3BS1AWN**
 ROTOR: Selector
 ALL PORTS: Manifold Ported
 WORKING PRESSURE: 3000 PSI
 RETURN PORT: 250 PSI MAX
 Cv: .95
 FLOW: 10 (GPM)
 TEMP RATING: -30° TO 180°F

PROPRIETARY AND CONFIDENTIAL
 THE INFORMATION CONTAINED IN THIS DRAWING IS THE SOLE PROPERTY OF PacSeal Hydraulics. ANY REPRODUCTION IN PART OR AS A WHOLE WITHOUT THE WRITTEN PERMISSION OF PacSeal Hydraulics IS PROHIBITED.

PacSeal Hydraulics Inc.
 VALVES, ACCUMULATORS, CONTROLS

TITLE SVx-50 Selector, Manifold Mount	SIZE A	DWG. NO. 40-2827	REV 2
SCALE: 1:2	WEIGHT: 12	SHEET 1 OF 2	



ITEM NO.	PART NUMBER	Rev	DESCRIPTION	QTY.
1	23-1127		O-Ring	4
2	23-1337		O-Ring	4
3	23-1344		O-Ring	1
4	23-1414		Backup Ring	6
5	23-1415		O-Ring	1
6	40-0219	E	Seal Ring, SV-50	3
7	40-0227	C	Thrust Washer, SV-50	2
8	40-0237		Wave Spring	3
9	40-0259		Ball, Bearing	21
10	40-0262	B	Rotor, SV-50 Selector	1
11	40-0297	1	Spring	1
12	40-1025	A	Body, Manifold Porting, SV-50	1
13	40-2626	1	Housing, SVx-50	1
14	40-2718	A	Detent, SVx-25	1
15	40-2739	1	Air Actuator Ass'y, SVx-25	1
16	40-2785	A	Aluminum Gasket, SVx-25 Actuator	1
17	40-2786	A	Shaft, SVx-50	1
18	40-2803	A	Handle, SVx-25 / 50	1
19	50-0066		SHCS	2
20	50-0080		SHCS	2
21	50-0091		Locknut	1
22	50-0103		Lock Washer	2
23	50-0106		Washer, Shaft	1
24	50-0176	1	Grease Fitting	1
25	50-0237	A	Grip, Handle	2
26	50-0444		Key	1

PACSEAL HYDRAULICS INC.

VALVES, ACCUMULATORS, CONTROLS

PROPRIETARY AND CONFIDENTIAL
 THE INFORMATION CONTAINED IN THIS DRAWING IS THE SOLE PROPERTY OF PacSeal Hydraulics.
 ANY REPRODUCTION IN PART OR AS A WHOLE WITHOUT THE WRITTEN PERMISSION OF PacSeal Hydraulics IS PROHIBITED.

TITLE
 SVx-50 Selector, Manifold Mount

SIZE A	DWG. NO. 40-2827	REV 2
SCALE: 1:2	WEIGHT: 12	SHEET 2 OF 2