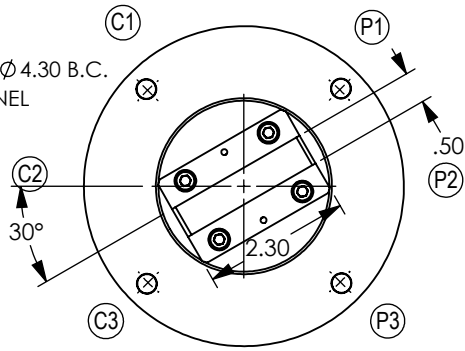
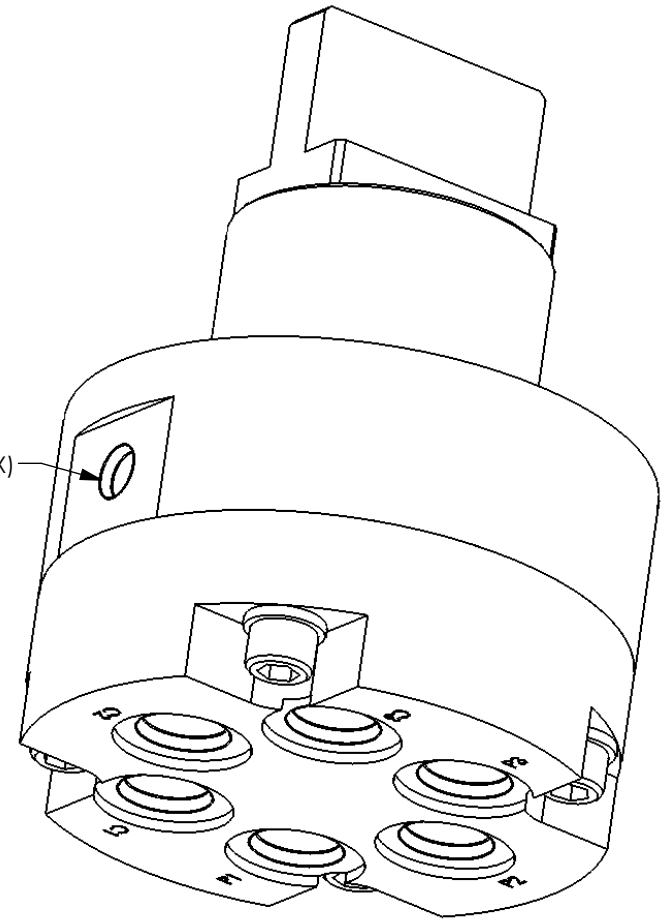


CLOSE (ALL PORTS BLOCKED)



OPEN (30° CCW): P1-C1, P2-C2 & P3-C3

1/4" (#4) SAE PORT (1 PL)
(CASE DRAIN TO TANK, 250 PSI MAX)



-W.P. : 3000 PSI (ALL PORTS)

-CASE DRAIN TO TANK: 250 PSI (MAX)

-Cv: 3.2

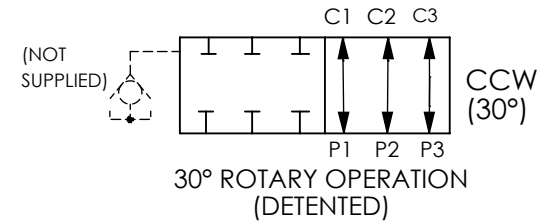
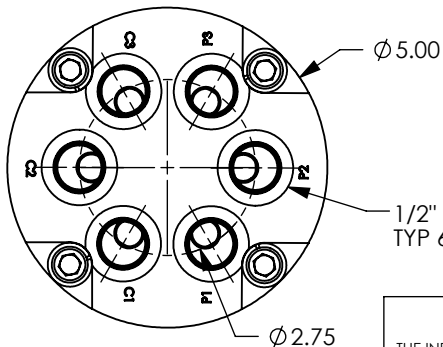
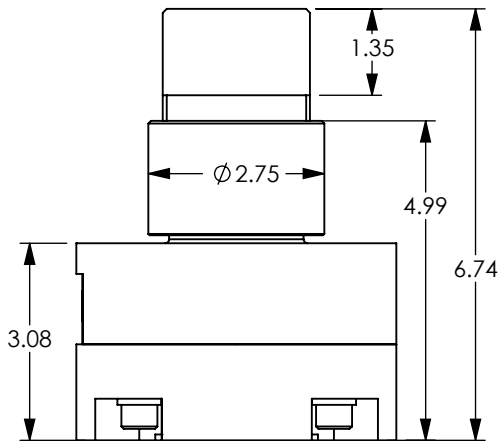
-SERVICE: SUBSEA SERVICE

-MATERIALS:
EXTERNAL: 316 SS
INTERNAL (SEALING): 440c, 416, 316
INTERNAL (NON SEALING):
CARBON STEEL, BRONZE

-ELASTOMERS: NITRILE, TEFLON

-MAX ACTUATION TORQUE: API 17D Class1 (50 ft*lbs)

Rotor: Shutoff
Model No: SVS-50 3C5PN



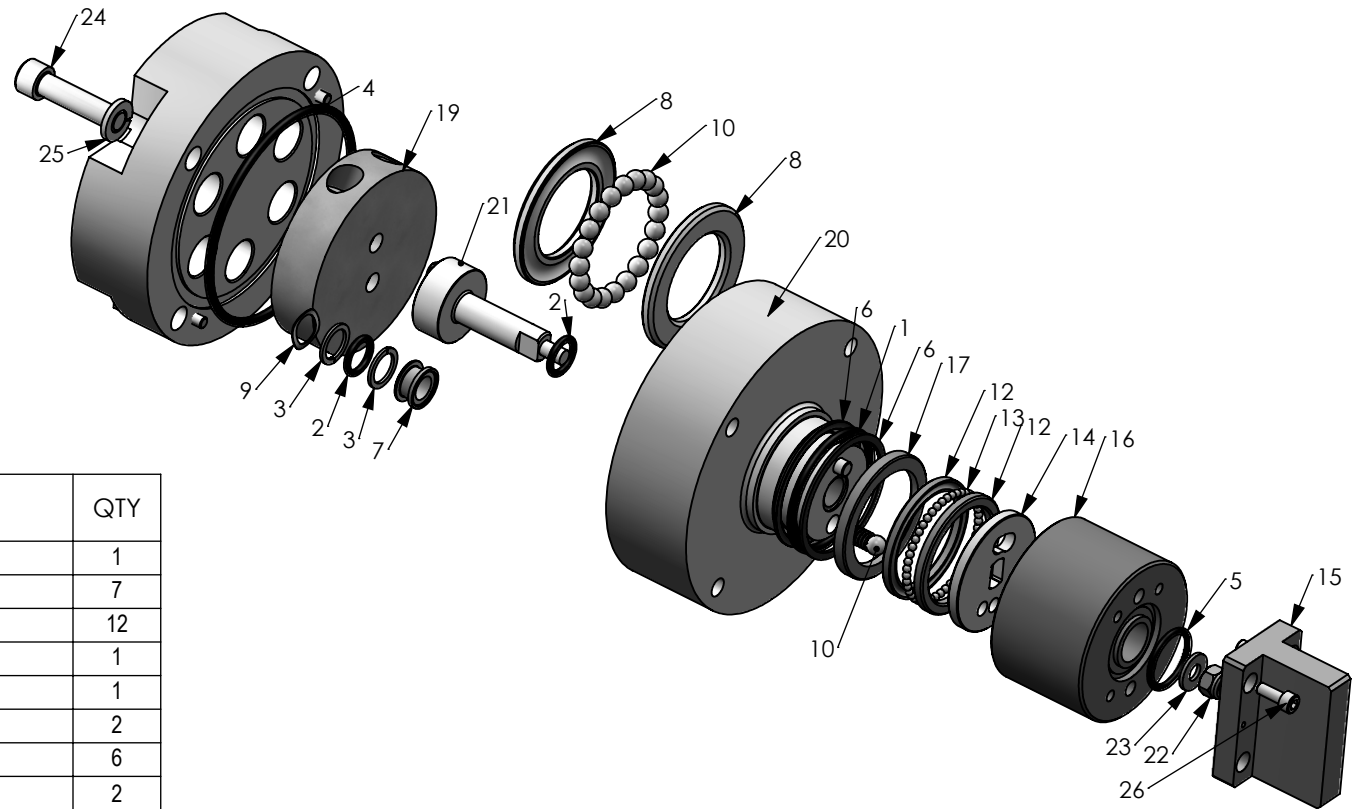
PACSEAL HYDRAULICS INC.

VALVES, ACCUMULATORS, CONTROLS

PROPRIETARY AND CONFIDENTIAL
THE INFORMATION CONTAINED IN THIS DRAWING IS THE SOLE PROPERTY OF PacSeal Hydraulics. ANY REPRODUCTION IN PART OR AS A WHOLE WITHOUT THE WRITTEN PERMISSION OF PacSeal Hydraulics IS PROHIBITED.

TITLE
Valve, SVS-50 Shutoff
6-Way, Subsea

SIZE A	DWG. NO. 40-2911	REV A
SCALE: 1:3	WEIGHT: 18.5	



ITEM NO.	PART NUMBER	Rev	DESCRIPTION	QTY
1	23-1336		O-Ring	1
2	23-1337		O-Ring	7
3	23-1414		Backup Ring	12
4	23-1426		O-Ring	1
5	23-1495		O-Ring	1
6	23-1576		ParBak Backup Ring	2
7	40-0219	E	Seal Ring, SV-50	6
8	40-0227	C	Thrust Washer, SV-50	2
9	40-0237		Wave Spring	6
10	40-0259		Ball, Bearing	21
11	40-0297	1	Spring	1
12	40-1223	B	Thrust Washer, Housing SV-25/50	2
13	40-2123		Ball, Bearing	45
14	40-2185	C	Detent Disc, SVS-25/50 (35° 2-Pos)	1
15	40-2186	B	Handle, Paddle SVS-25/50	1
16	40-2198	B	Housing, Actuator SVS-25/50	1
17	40-2205	C	Bushing, Actuator SVS-25/50	1
18	40-2914	A	Body, SVS-50 6-Way	1
19	40-2915	A	Rotor, SVS-50 6-Way	1
20	40-2916	A	Housing, Rotor SVS-50 6-Way	1
21	40-2949	A	Shaft, SVS-50	1
22	50-0091		Locknut	1
23	50-0106		Washer, Shaft	1
24	50-0230		Bolt, SHCS	4
25	50-0316		Lock Washer, St Stl	4
26	50-0323		Bolt, SHCS	4

PROPRIETARY AND CONFIDENTIAL
 THE INFORMATION CONTAINED IN THIS DRAWING IS THE SOLE PROPERTY OF PacSeal Hydraulics. ANY REPRODUCTION IN PART OR AS A WHOLE WITHOUT THE WRITTEN PERMISSION OF PacSeal Hydraulics IS PROHIBITED.

PACSEAL HYDRAULICS INC.

VALVES, ACCUMULATORS, CONTROLS

TITLE	SIZE	DWG. NO.	REV
Valve, SVS-50 Shutoff 6-Way, Subsea	A	40-2911	A
SCALE: 1:3	WEIGHT: 18.5	SHEET 2 OF 2	