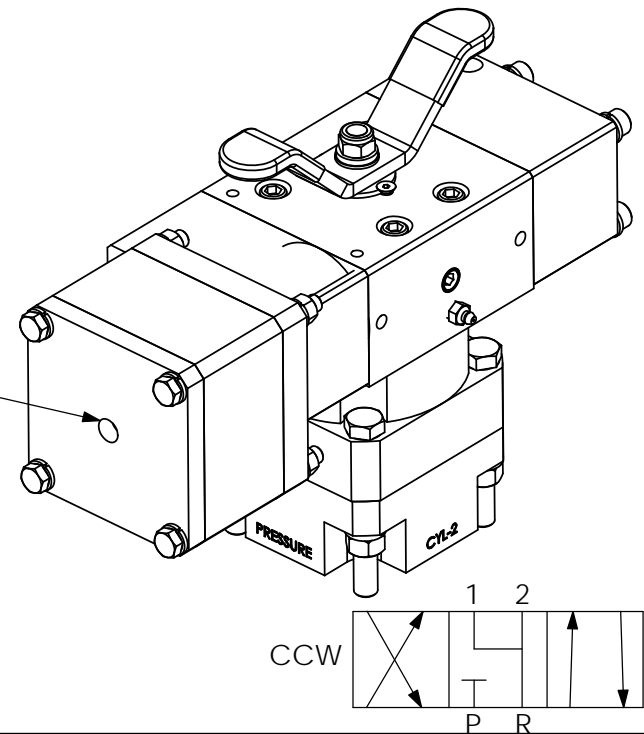


1/4" NPT (Center)  
 (Apply Air Pressure to this port first  
 then Air Pressure to "Close"-port  
 for "Center" Position)



WORKING PRESSURE: 6000 PSI  
 AIR ACTUATOR: 80-150 PSI  
 MATERIAL:  
 • SV BODY: 416 SS  
 • HOUSING: Carbon Steel  
 • INTERNAL SEALING COMPONENTS: 440c SS  
 • AIR ACTUATOR:  
 Body: 6061-T6 Alu

MODEL NO: SVx-100 8S6BM3AWN  
 ROTOR: Manipulator  
 ALL PORTS: #16 SAE  
 WORKING PRESSURE: 6000 PSI  
 RETURN PORT: 250 PSI MAX  
 Cv: 9.2  
 Flow (GPM): 75  
 TEMP RATING: -30° TO 180°F

**PACSEAL HYDRAULICS INC.**

VALVES, ACCUMULATORS, CONTROLS

PROPRIETARY AND CONFIDENTIAL THE INFORMATION CONTAINED IN THIS DRAWING IS THE SOLE PROPERTY OF PacSeal Hydraulics. ANY REPRODUCTION IN PART OR AS A WHOLE WITHOUT THE WRITTEN PERMISSION OF PacSeal Hydraulics IS PROHIBITED.	-	-	-	TITLE	SIZE	DWG. NO.	REV
	REV	ECN	DATE	SVx-100 /6K Manipulator 3-Position #16 SAE Bottom Ports	<b>A</b>	40-3124	<b>B</b>
					SCALE: 1:4	WEIGHT: 45	SHEET 1 OF 2

5

4

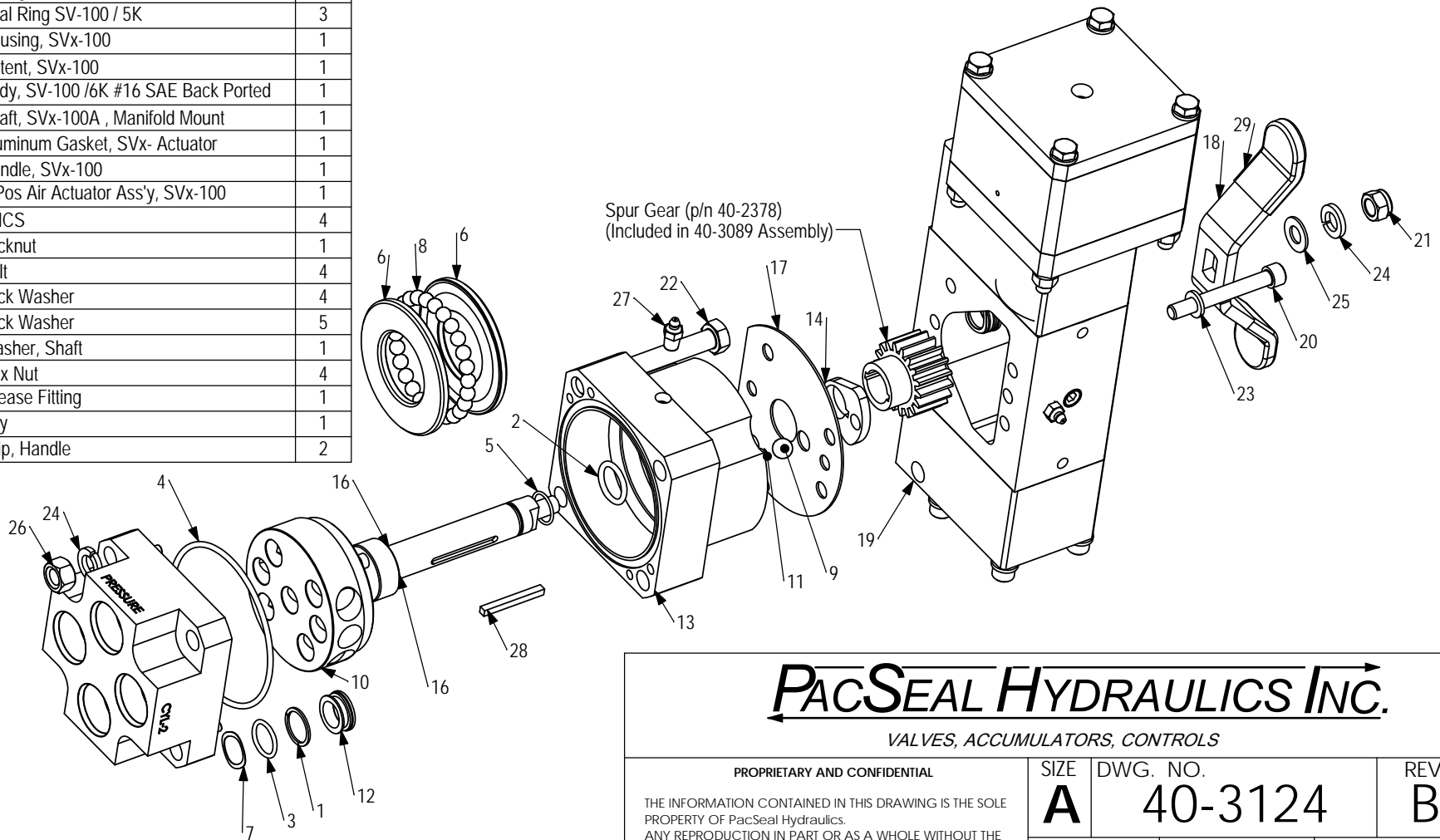
3

2

1

SVx-100 /6K Manipulator 3-Position

ITEM NO.	PART NUMBER	DESCRIPTION	QTY.
1	23-1331	Backup Ring	3
2	23-1518	O-Ring	1
3	23-1519	O-Ring	3
4	23-1521	O-Ring	1
5	23-1528	O-Ring	1
6	40-0009	Thrust Washer	2
7	40-0027	Wave Spring	3
8	40-0049	Ball, Bearing	26
9	40-0174	Ball, Bearing	1
10	40-0223	Rotor, Manipulator	1
11	40-0295	Spring	1
12	40-0825	Seal Ring SV-100 / 5K	3
13	40-1370	Housing, SVx-100	1
14	40-2381	Detent, SVx-100	1
15	40-2538	Body, SV-100 /6K #16 SAE Back Ported	1
16	40-2695	Shaft, SVx-100A , Manifold Mount	1
17	40-2744	Aluminum Gasket, SVx- Actuator	1
18	40-2746	Handle, SVx-100	1
19	40-3089	3-Pos Air Actuator Ass'y, SVx-100	1
20	50-0079	SHCS	4
21	50-0093	Locknut	1
22	50-0100	Bolt	4
23	50-0103	Lock Washer	4
24	50-0104	Lock Washer	5
25	50-0108	Washer, Shaft	1
26	50-0110	Hex Nut	4
27	50-0176	Grease Fitting	1
28	50-0402	Key	1
29	50-0446	Grip, Handle	2



**PACSEAL HYDRAULICS INC.**

VALVES, ACCUMULATORS, CONTROLS

PROPRIETARY AND CONFIDENTIAL

THE INFORMATION CONTAINED IN THIS DRAWING IS THE SOLE PROPERTY OF PacSeal Hydraulics. ANY REPRODUCTION IN PART OR AS A WHOLE WITHOUT THE WRITTEN PERMISSION OF PacSeal Hydraulics IS PROHIBITED.

SIZE <b>A</b>	DWG. NO. <b>40-3124</b>	REV <b>B</b>
SCALE: 1:4	WEIGHT: 45	SHEET 2 OF 2