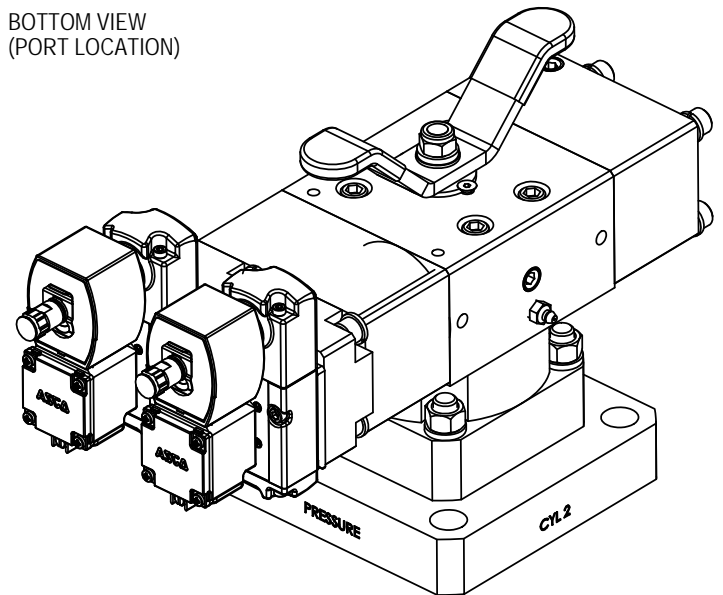
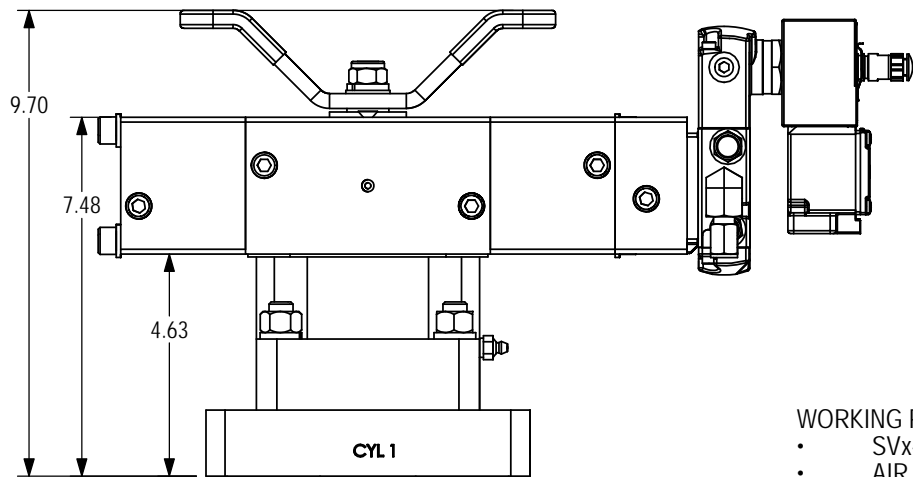
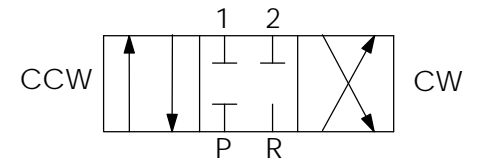


BOTTOM VIEW  
(PORT LOCATION)



MODEL NO: **SVx-100 8X3BS1AWN-X**  
 ROTOR: Selector  
 ALL PORTS: Manifold Ported  
 WORKING PRESSURE: 3000 PSI  
 RETURN PORT: 250 PSI MAX  
 Cv: 9.2  
 Flow (GPM): 75  
 TEMP RATING: -30° TO 180°F

- WORKING PRESSURE:
- SVx-100: 3000 PSI
  - AIR ACTUATOR: 80-150 PSI
- MATERIAL:
- SV BODY: 416 SS
  - HOUSING: Carbon Steel
  - SHAFT: 416 SS
  - INTERNAL SEALING COMPONENTS: 440c SS
  - AIR ACTUATOR: Carbon Steel
  - O-RINGS: BUNA (NITRILE)
  - BACKUPS: TEFLON



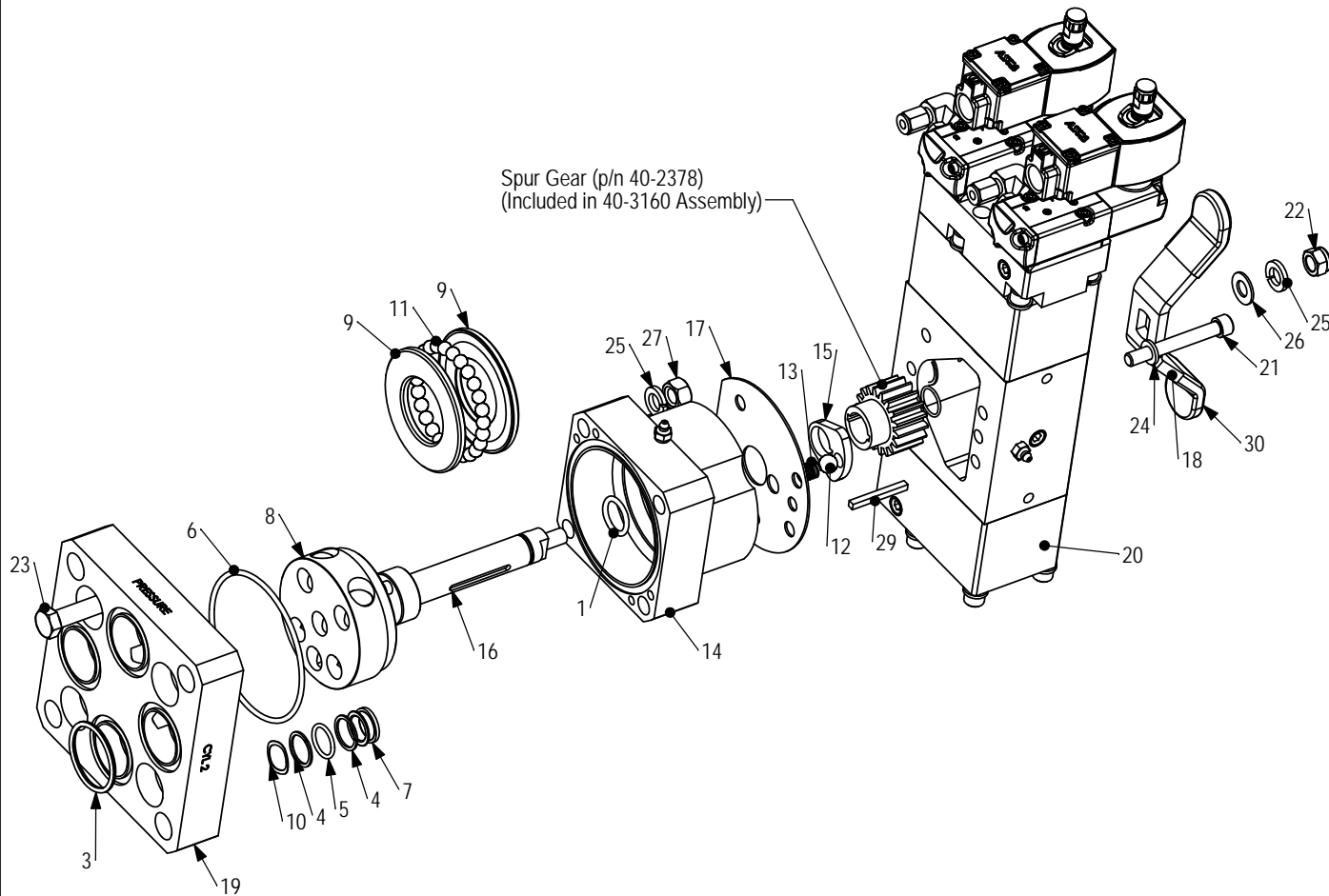
**PACSEAL HYDRAULICS INC.**

VALVES, ACCUMULATORS, CONTROLS

PROPRIETARY AND CONFIDENTIAL THE INFORMATION CONTAINED IN THIS DRAWING IS THE SOLE PROPERTY OF PacSeal Hydraulics. ANY REPRODUCTION IN PART OR AS A WHOLE WITHOUT THE WRITTEN PERMISSION OF PacSeal Hydraulics IS PROHIBITED.	-	-	-
	REV	ECN	DATE

TITLE	SVx-100 4-Way Selector Subplate Mounted, Carbon Steel Actuator
-------	--

SIZE	DWG. NO.	REV
<b>A</b>	<b>40-3164</b>	<b>B</b>
SCALE: 1:4	WEIGHT: 64.7	SHEET 1 OF 2



ITEM NO.	PART No	Rev	DESCRIPTION	QTY.
1	23-1122		O-Ring	1
2	23-1326		O-Ring	1
3	23-1330		O-Ring	4
4	23-1331	01	Backup Ring	6
5	23-1332		O-Ring	3
6	23-1363		O-Ring	1
7	40-0007	J	Seal Ring	3
8	40-0008	M	Rotor, Selector	1
9	40-0009	M	Thrust Washer	2
10	40-0027		Wave Spring	3
11	40-0049		Ball, Bearing	26
12	40-0174		Ball, Bearing	1
13	40-0295	1	Spring	1
14	40-1370	G	Housing, SVx-100	1
15	40-2381	B	Detent, SVx-100	1
16	40-2695	A	Shaft, SVx-100A , Manifold Mount	1
17	40-2744	A	Aluminum Gasket, SVx- Actuator	1
18	40-2746	A	Handle, SVx-100	1
19	40-2769	A	Body, SV-100 Manifold Mount	1
20	40-3160	A	Air Actuator Ass'y, SVx-100	1
21	50-0079		SHCS	4
22	50-0093		Locknut	1
23	50-0099		Bolt	4
24	50-0103		Lock Washer	4
25	50-0104		Lock Washer	5
26	50-0108		Washer, Shaft	1
27	50-0110		Hex Nut	4
28	50-0176	1	Grease Fitting	1
29	50-0402		Key	1
30	50-0446	A	Grip, Handle	2

# PACSEAL HYDRAULICS INC.

VALVES, ACCUMULATORS, CONTROLS

**PROPRIETARY AND CONFIDENTIAL**  
 THE INFORMATION CONTAINED IN THIS DRAWING IS THE SOLE PROPERTY OF PacSeal Hydraulics. ANY REPRODUCTION IN PART OR AS A WHOLE WITHOUT THE WRITTEN PERMISSION OF PacSeal Hydraulics IS PROHIBITED.

TITLE  
 SVx-100 4-Way Selector  
 Subplate Mounted, Carbon Steel  
 Actuator

SIZE <b>A</b>	DWG. NO. <b>40-3164</b>	REV <b>B</b>
SCALE: 1:5	WEIGHT: 64.7	SHEET 2 OF 2