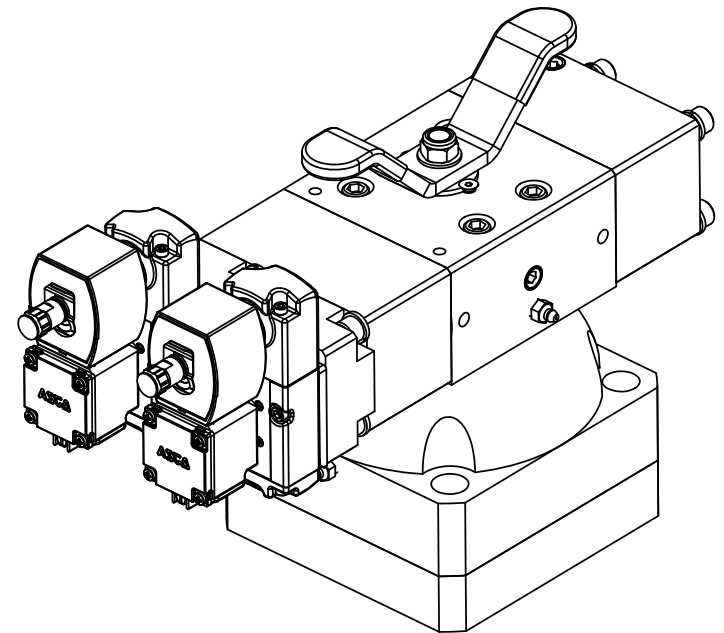
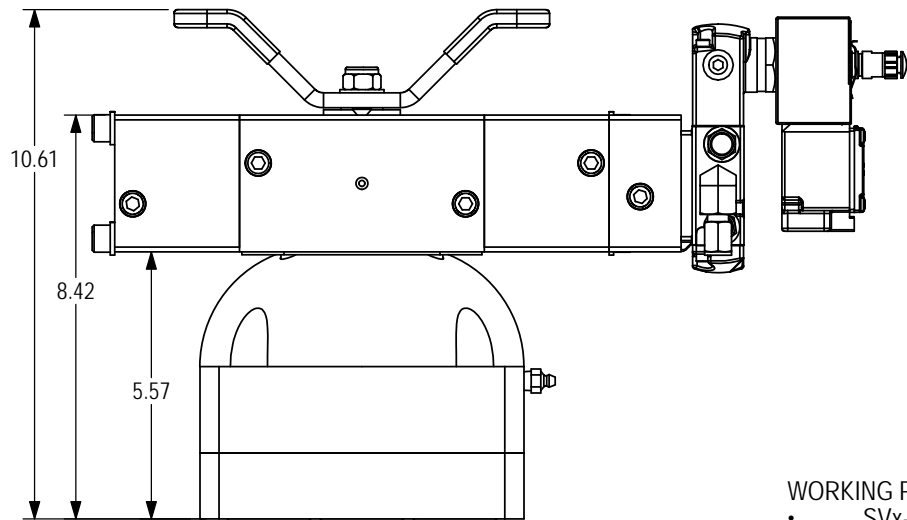


BOTTOM VIEW  
(PORT LOCATION)



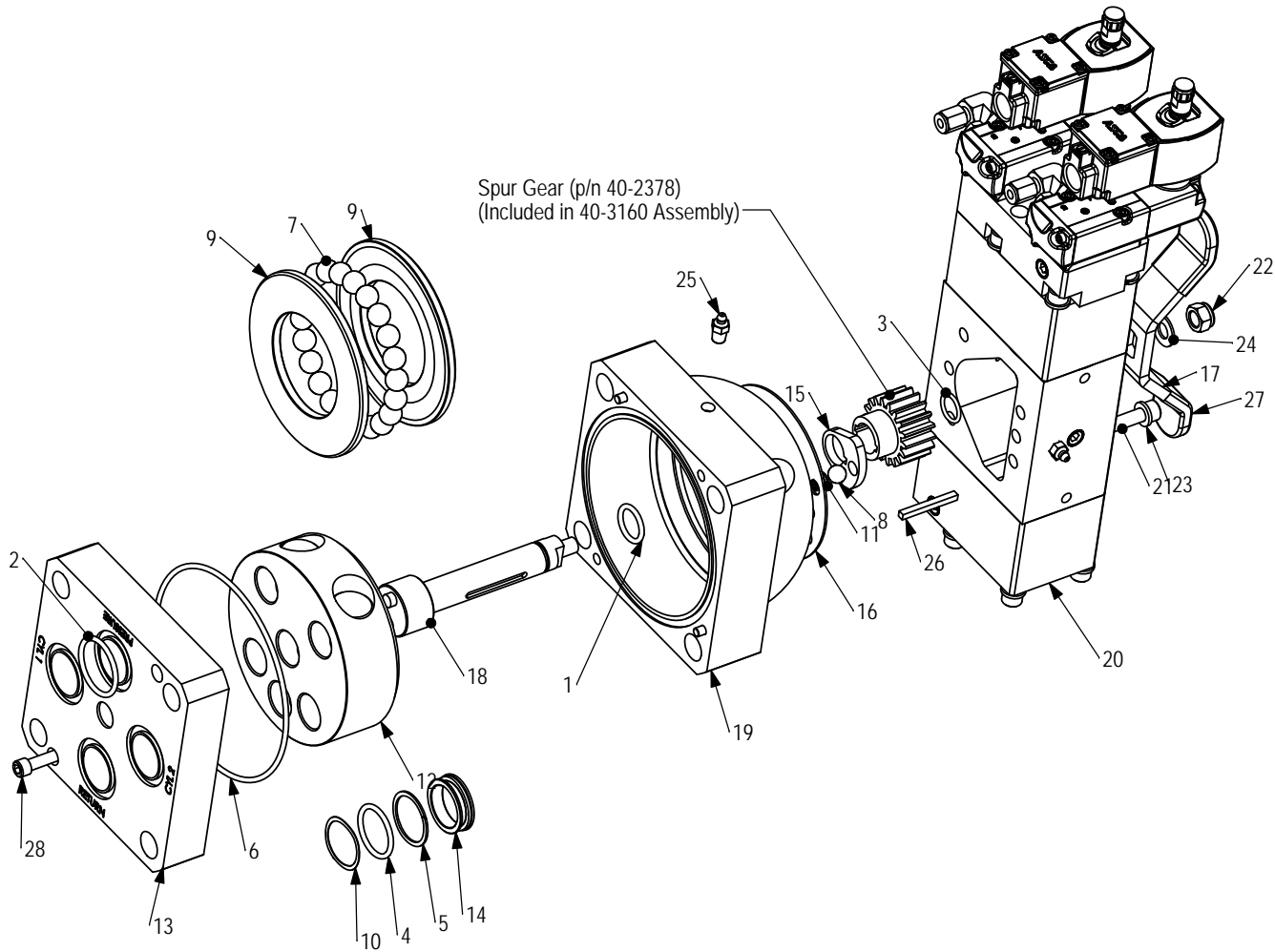
MODEL NO: **SVx-150 12M5BS1AWN-X**  
 ROTOR: Selector  
 ALL PORTS: Manifold Ported  
 WORKING PRESSURE: 5000 PSI  
 RETURN PORT: 250 PSI MAX  
 Cv: 21.0  
 Flow (GPM): 180  
 TEMP RATING: -30° TO 180°F

- WORKING PRESSURE:
- SVx-150: 5000 PSI
  - AIR ACTUATOR: 80-150 PSI
- MATERIAL:
- SV BODY: 416 SS
  - HOUSING: Carbon Steel
  - INTERNAL SEALING COMPONENTS: 440c SS
  - AIR ACTUATOR: Carbon Steel

**PACSEAL HYDRAULICS INC.**

VALVES, ACCUMULATORS, CONTROLS

PROPRIETARY AND CONFIDENTIAL THE INFORMATION CONTAINED IN THIS DRAWING IS THE SOLE PROPERTY OF PacSeal Hydraulics. ANY REPRODUCTION IN PART OR AS A WHOLE WITHOUT THE WRITTEN PERMISSION OF PacSeal Hydraulics IS PROHIBITED.	-	-	-	TITLE	SIZE	DWG. NO.	REV
	REV	ECN	DATE	SVx-150 Selector, Manifold Mount Carbon Steel Air Actuator	<b>A</b>	40-3166	<b>B</b>
					SCALE: 1:4	WEIGHT: 83	SHEET 1 OF 2



ITEM NO.	PART No	Rev	DESCRIPTION	QTY
1	23-1122		O-Ring	1
2	23-1123		O-Ring	4
3	23-1352	1	O-Ring	1
4	23-1417		O-ring	3
5	23-1418		Backup Ring	3
6	23-1419		O-Ring	1
7	40-0092	O1	Ball, Bearing	22
8	40-0174		Ball, Bearing	1
9	40-0226	H	Thrust Washer	2
10	40-0239	O1	Wave Spring	3
11	40-0295	1	Spring	1
12	40-0534	E	Rotor, Selector	1
13	40-1080	B	Body, SV-150 Manifold Port	1
14	40-2203	B	Seal Ring, SV-150 /5K	3
15	40-2381	B	Detent, SVx-100	1
16	40-2744	A	Aluminum Gasket, SVx- Actuator	1
17	40-2746	A	Handle, SVx-100	1
18	40-2771	A	Shaft, SVx-150	1
19	40-3110	A	Housing, SVx-150	1
20	40-3160	A	Air Actuator Ass'y, SVx-100	1
21	50-0079		SHCS	4
22	50-0093		Nut, Shaft	1
23	50-0103		Lock Washer	4
24	50-0108		Washer, Shaft	1
25	50-0176	1	Grease Fitting	1
26	50-0402		Key	1
27	50-0446	A	Grip, Handle	2
28	50-0459		SHCS	2

# PACSEAL HYDRAULICS INC.

VALVES, ACCUMULATORS, CONTROLS

**PROPRIETARY AND CONFIDENTIAL**  
 THE INFORMATION CONTAINED IN THIS DRAWING IS THE SOLE PROPERTY OF PacSeal Hydraulics. ANY REPRODUCTION IN PART OR AS A WHOLE WITHOUT THE WRITTEN PERMISSION OF PacSeal Hydraulics IS PROHIBITED.

TITLE  
 SVx-150 Selector, Manifold Mount  
 Carbon Steel Air Actuator

SIZE <b>A</b>	DWG. NO. <b>40-3166</b>	REV <b>B</b>
SCALE: 1:5	WEIGHT: 83	SHEET 2 OF 2