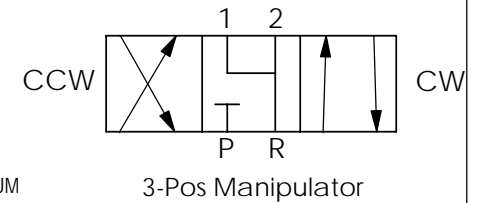


MATERIAL:

- SV BODY: 416 SS
- HOUSING: CARBON STEEL
- HANDLE, DETENT & SPACERS: PLATED CARBON STEEL
- SHAFT: 416 SS
- SHEARFLO SEALING COMPONENTS: 440c HARDENED
- HYDRAULIC ACTUATOR BODY: ALUMINUM
- HYDRAULIC CYLINDERHEAD: 416 SS
- O-RINGS: BUNA (NITRILE)
- BACKUPS: TEFLON



MODEL NO: **SVx-150 12M3BM5HNN**

ROTOR: Manipulator
 PORTS: Manifold Ported
 WORKING PRESSURE: 3000 PSI
 RETURN PORT: 250 PSI MAX
 Cv: 21.0
 FLOW: 180 (GPM)
 OPERATOR: HYDRAULIC ACTUATED, SPRING CENTERED 1000-3000 PSI MAX
 TEMP RATING: -30° TO 180°F

PROPRIETARY AND CONFIDENTIAL

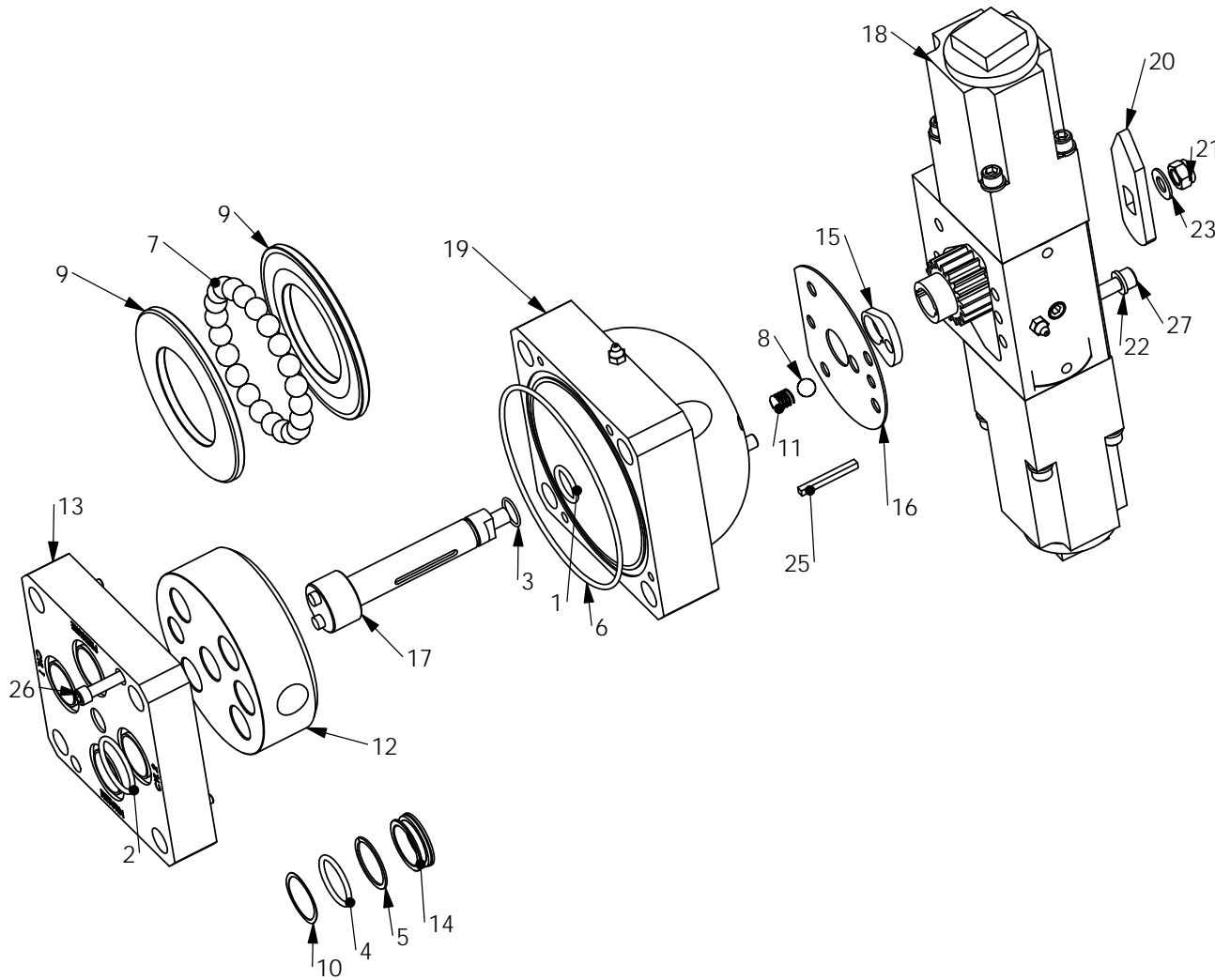
THE INFORMATION CONTAINED IN THIS DRAWING IS THE SOLE
 PROPERTY OF PacSeal Hydraulics.
 ANY REPRODUCTION IN PART OR AS A WHOLE WITHOUT THE
 WRITTEN PERMISSION OF PacSeal Hydraulics IS PROHIBITED.

PacSeal Hydraulics Inc.

VALVES, ACCUMULATORS, CONTROLS

TITLE SVx-150 Manipulator
 Spring Centered,
 Hydraulic Actuator

SIZE A	DWG. NO. 40-3204	REV A
SCALE: 1:4	WEIGHT: 82	SHEET 1 OF 2



ITEM NO.	PART NUMBER	DESCRIPTION	QTY.
1	23-1122	O-Ring	1
2	23-1123	O-Ring	4
3	23-1326	O-Ring	1
4	23-1417	O-ring	3
5	23-1418	Backup Ring	3
6	23-1419	O-Ring	1
7	40-0092	Ball, Bearing	22
8	40-0174	Ball, Bearing	1
9	40-0226	Thrust Washer	2
10	40-0239	Wave Spring	3
11	40-0295	Spring	1
12	40-0535	Rotor, Manipulator - SV-150	1
13	40-1080	Body, SV-150 Manifold Port	1
14	40-2203	Seal Ring, SV-150 /5K	3
15	40-2381	Detent, SVx-100	1
16	40-2744	Aluminum Gasket, SVx- Actuator	1
17	40-2771	Shaft, SVx-150	1
18	40-3061	Hyd Actuator Ass'y	1
19	40-3110	Housing, SVx-150	1
20	40-3165	Indicator, SVx-100 Actuator	1
21	50-0093	Nut, Shaft	1
22	50-0103	Lock Washer	4
23	50-0108	Washer, Shaft	1
24	50-0176	Grease Fitting	1
25	50-0402	Key	1
26	50-0459	SHCS	2
27	50-0474	SHCS	4

PACSEAL HYDRAULICS INC.

VALVES, ACCUMULATORS, CONTROLS

PROPRIETARY AND CONFIDENTIAL
 THE INFORMATION CONTAINED IN THIS DRAWING IS THE SOLE PROPERTY OF PacSeal Hydraulics. ANY REPRODUCTION IN PART OR AS A WHOLE WITHOUT THE WRITTEN PERMISSION OF PacSeal Hydraulics IS PROHIBITED.

TITLE	SIZE	DWG. NO.	REV
SVx-150 Manipulator Spring Centered, Hydraulic Actuator	A	40-3204	A
	SCALE: 1:5	WEIGHT: 82	SHEET 2 OF 2