

MODEL No. KR-100N3RM
 MAX INLET: 3000 PSI
 REGULATED OUTLET: 300-1700 PSI
 SPECIFIED FLOW: 75 GPM
 Cv Outlet: 9.40
 Cv Vent: 1.40
 SUPPLY PORT: 1" NPT (DUAL)
 REGULATED OUTLET: 1-1/2" NPT
 VENT PORT: 1" NPT
 OPERATOR: MANUAL

- MATERIAL:
- BODY: CARBON STEEL
 - FLANGES & OPERATORS: CARBON STEEL
 - INTERNAL: STAINLESS STEEL & BRASS
 - O-RINGS: BUNA (NITRILE)
 - BACKUPS: TEFLON

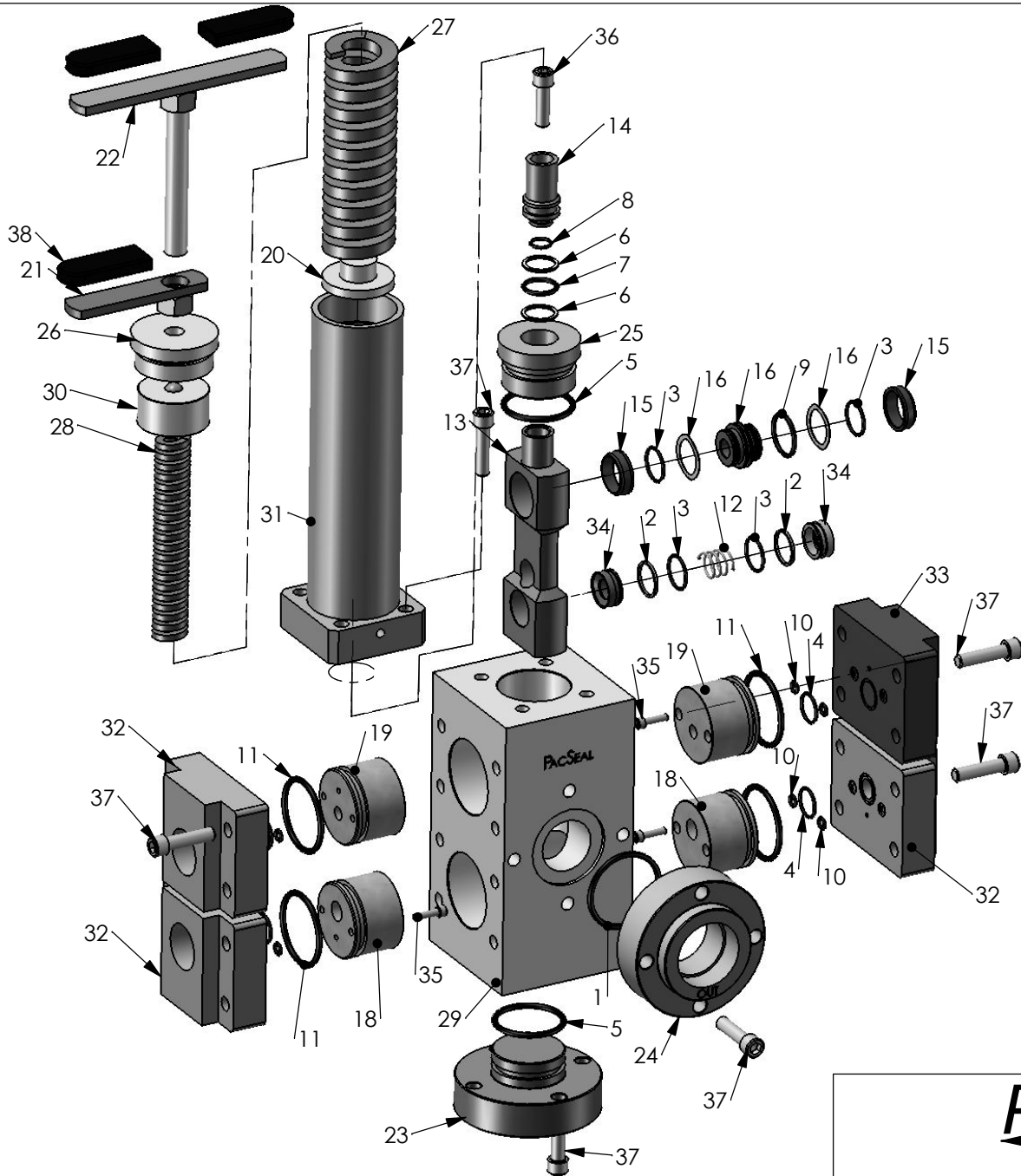
TEMPERATURE RATING: -30°F TO 180°F
 WEIGHT: 67 LBS

PROPRIETARY AND CONFIDENTIAL
 THE INFORMATION CONTAINED IN THIS DRAWING IS THE SOLE PROPERTY OF PacSeal Hydraulics. ANY REPRODUCTION IN PART OR AS A WHOLE WITHOUT THE WRITTEN PERMISSION OF PacSeal Hydraulics IS PROHIBITED.

PacSeal HYDRAULICS INC.

VALVES, ACCUMULATORS, CONTROLS

TITLE Regulator, KR-100M	SIZE A	DWG. NO. 40-1517	REV 3
	SCALE: 1:5		SHEET 1 OF 2



ITEM NO.	PART NUMBER	DESCRIPTION	QTY.
1	23-1126	O-Ring	1
2	23-1322	Backup Ring	2
3	23-1323	O-Ring	4
4	23-1326	O-Ring	4
5	23-1330	O-Ring	2
6	23-1331	Backup Ring	2
7	23-1332	O-Ring	1
8	23-1333	O-Ring	1
9	23-1334	O-Ring	1
10	23-1335	O-Ring	8
11	23-1336	O-Ring	4
12	40-0110	Compression Spring	1
13	40-0111	Seal Container	1
14	40-0112	Piston, KR-100M	1
15	40-0113	Seal Ring- Vent	2
16	40-0114	Valve, Cage	1
16	40-0115	Wave Spring	2
18	40-0117	Flow Plate, Supply KR-100	2
19	40-0118	Flow Plate, Vent KR-100	2
20	40-0134	Spring Plate	1
21	40-0135	Lock Handle	1
22	40-0136	Adjusting Screw & Handle	1
23	40-0137	Flange, Lower	1
24	40-0138	Flange, Outlet	1
25	40-0139	Guide Plunger	1
26	40-0140	Plug, Adjustment Head	1
27	40-0143	Spring, Outer	1
28	40-0144	Spring, Inner	1
29	40-0148	Body, KR-100	1
30	40-0300	Spring Guide	1
31	40-0388	Adjustment Head	1
32	40-0958	Flange, Inlet & Vent	3
33	40-0959	Flange, Blind	1
34	40-1176	Seal Ring, Supply	2
35	50-0067	Bolt, SHCS	8
36	50-0068	Bolt, SHCS	1
37	50-0069	Bolt, SHCS	28
38	50-0239	Grip, Handle	3

PacSeal HYDRAULICS INC.

VALVES, ACCUMULATORS, CONTROLS

PROPRIETARY AND CONFIDENTIAL
 THE INFORMATION CONTAINED IN THIS DRAWING IS THE SOLE PROPERTY OF PacSeal Hydraulics. ANY REPRODUCTION IN PART OR AS A WHOLE WITHOUT THE WRITTEN PERMISSION OF PacSeal Hydraulics IS PROHIBITED.

TITLE	SIZE	DWG. NO.	REV
Regulator, KR-100M	A	40-1517	3
SCALE: 1:5		SHEET 2 OF 2	