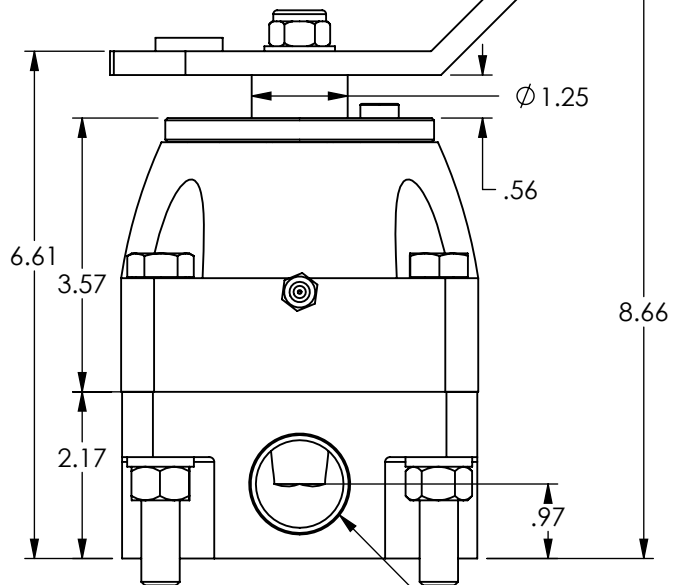
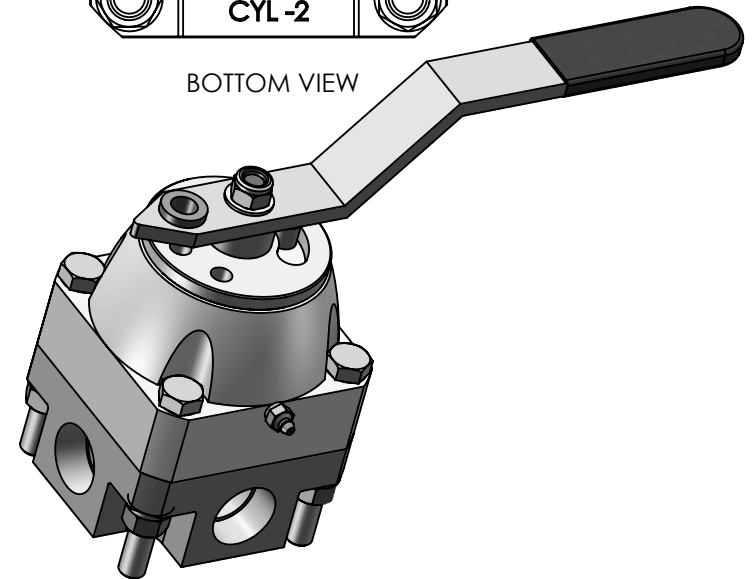


BOTTOM VIEW



MATERIAL:

- SV BODY: 416 SS
- HOUSING: CARBON STEEL
- HANDLE, DETENT & SPACERS: PLATED CARBON STEEL
- SHAFT: 416 SS
- SHEARFLO SEALING COMPONENTS: 440c HARDENED
- O-RINGS: BUNA (NITRILE)
- BACKUPS: TEFLON

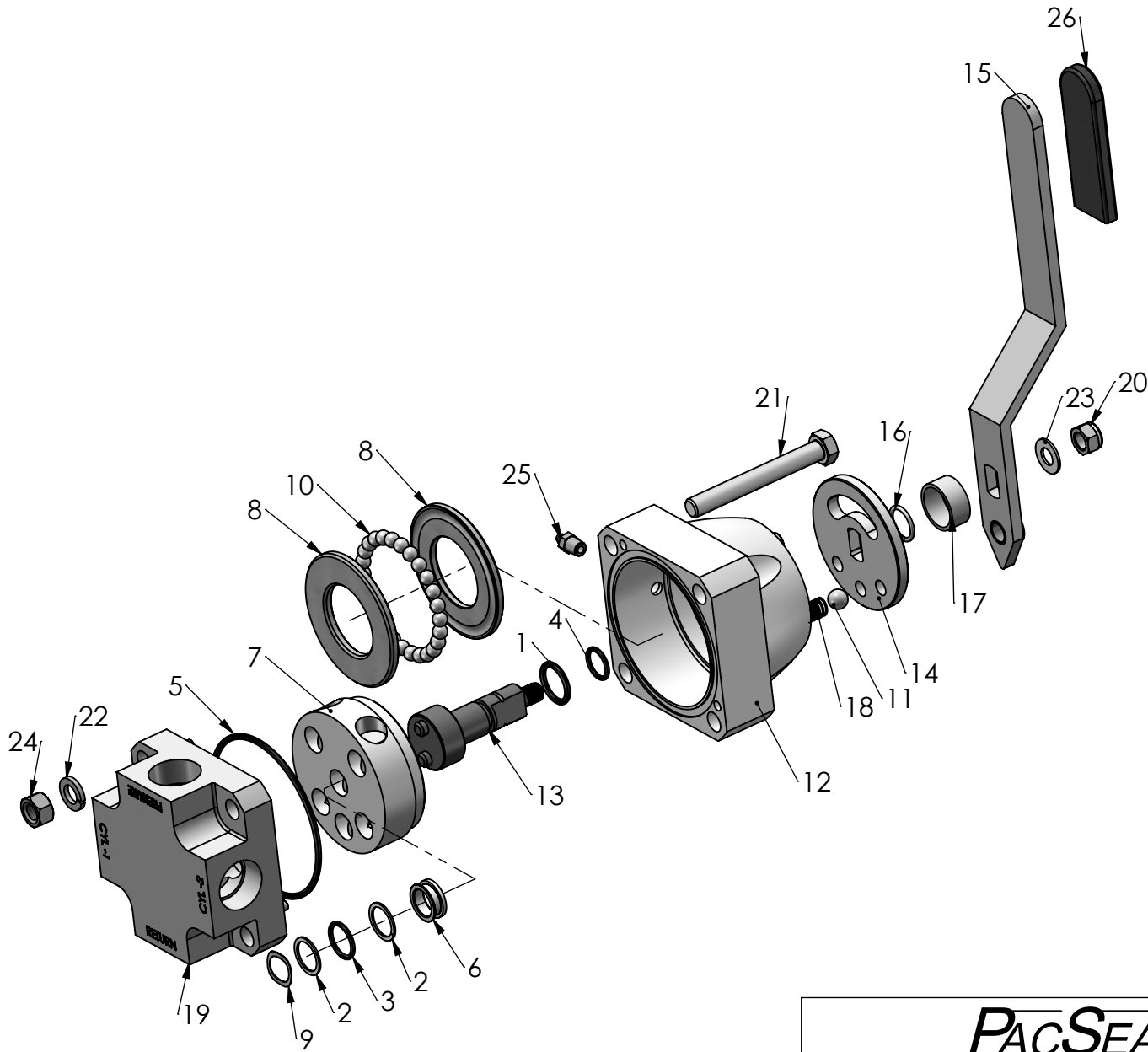
MODEL NO: **SV-100 8N3ILS1RN**  
 ROTOR: SELECTOR  
 ALL PORTS: 1" NPT  
 WORKING PRESSURE: 3000 PSI  
 RETURN PORT: 250 PSI MAX  
 Cv: 9.20  
 FLOW: 75 (GPM)  
 TEMP RATING: -30° TO 180°F

**PROPRIETARY AND CONFIDENTIAL**  
 THE INFORMATION CONTAINED IN THIS DRAWING IS THE SOLE PROPERTY OF PacSeal Hydraulics. ANY REPRODUCTION IN PART OR AS A WHOLE WITHOUT THE WRITTEN PERMISSION OF PacSeal Hydraulics IS PROHIBITED.

**PacSeal Hydraulics Inc.**

VALVES, ACCUMULATORS, CONTROLS

TITLE	SIZE	DWG. NO.	REV
SV-100 Selector - Inline Ported	<b>A</b>	40-1521	3
	SCALE: 2:5	WEIGHT: 23	SHEET 1 OF 2



ITEM NO.	PART NUMBER	DESCRIPTION	QTY.
1	23-1122	O-Ring	1
2	23-1331	Backup Ring	6
3	23-1332	O-Ring	3
4	23-1352	O-Ring	1
5	23-1363	O-Ring	1
6	40-0007	Seal Ring	3
7	40-0008	Rotor, Selector	1
8	40-0009	Thrust Washer	2
9	40-0027	Wave Spring	3
10	40-0049	Ball, Bearing	26
11	40-0174	Ball, Bearing	1
12	40-0175	Housing	1
13	40-0178	Shaft	1
14	40-0180	Detent Disc	1
15	40-0284	Handle, Remote	1
16	40-0288	Retaining Ring	1
17	40-0291	Spacer, Handle	1
18	40-0295	Spring	1
19	40-0982	Body	1
20	50-0093	Nut, Shaft	1
21	50-0100	Bolt	4
22	50-0104	Lock Washer	4
23	50-0108	Washer, Shaft	1
24	50-0110	Hex Nut	4
25	50-0176	Grease Fitting	1
26	50-0236	Grip, Handle	1

# PACSEAL HYDRAULICS INC.

VALVES, ACCUMULATORS, CONTROLS

**PROPRIETARY AND CONFIDENTIAL**  
 THE INFORMATION CONTAINED IN THIS DRAWING IS THE SOLE PROPERTY OF PacSeal Hydraulics. ANY REPRODUCTION IN PART OR AS A WHOLE WITHOUT THE WRITTEN PERMISSION OF PacSeal Hydraulics IS PROHIBITED.

TITLE  
**SV-100 Selector -  
 Inline Ported**

SIZE <b>A</b>	DWG. NO. <b>40-1521</b>	REV <b>3</b>
SCALE: 2:5	WEIGHT: 23	SHEET 2 OF 2