

- Note:
1. Air Actuator Cylinder Ass'y - 3" Dia, 2 Position
  2. Stroke: 2-<sup>1</sup>/<sub>8</sub>"
  3. Working Pressure: 250 PSI

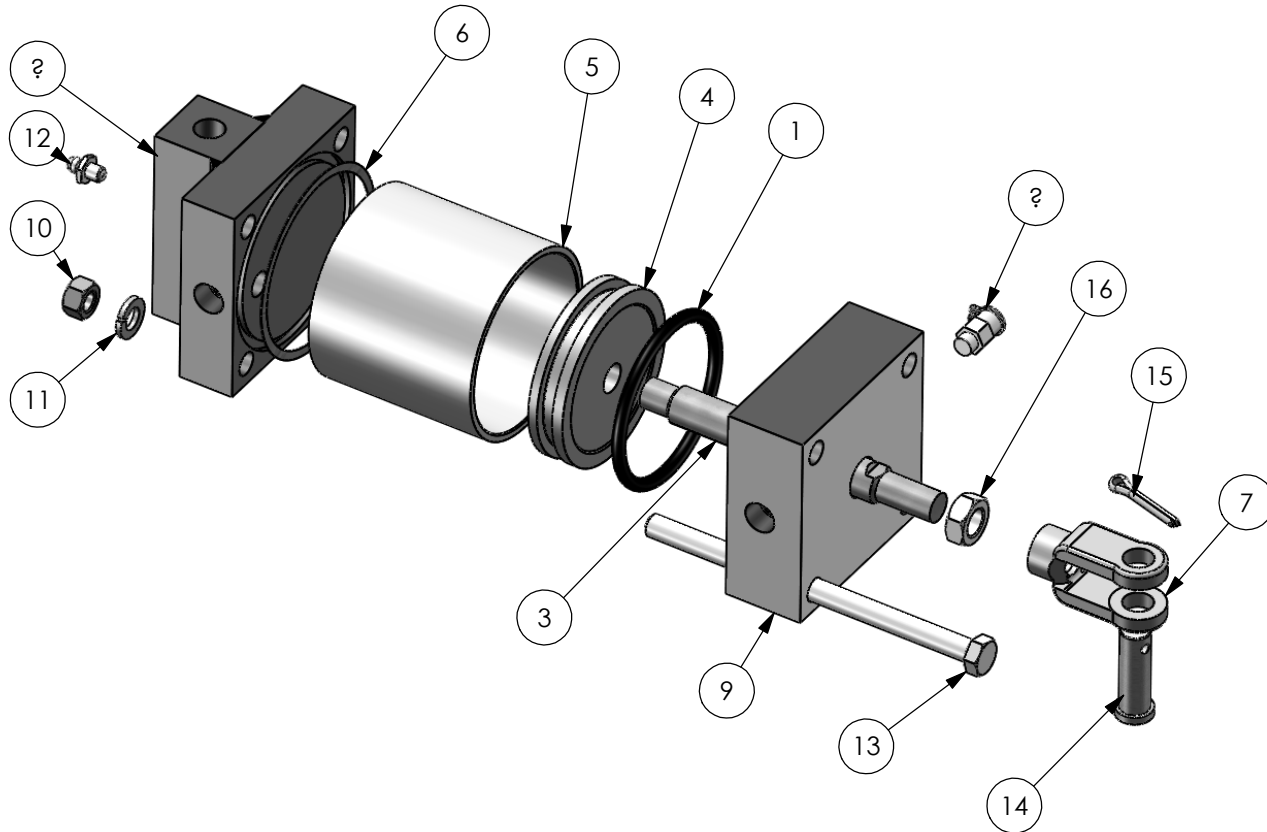
**PACSEAL HYDRAULICS INC.**

VALVES, ACCUMULATORS, CONTROLS

**PROPRIETARY AND CONFIDENTIAL**  
 THE INFORMATION CONTAINED IN THIS DRAWING IS THE SOLE PROPERTY OF PacSeal Hydraulics. ANY REPRODUCTION IN PART OR AS A WHOLE WITHOUT THE WRITTEN PERMISSION OF PacSeal Hydraulics IS PROHIBITED.

TITLE  
 Air Actuator Cylinder  
 Assembly - 3" 2 Position;  
 AAC-302

SIZE <b>A</b>	DWG. NO. <b>40-1580</b>	REV <b>F</b>
SCALE: 1:2	WEIGHT: 12	SHEET 1 OF 2



ITEM NO.	PART NUMBER	DESCRIPTION	QTY.
1	23-1318	O-Ring	1
2	23-1385	O-Ring	2
3	40-0451	Shaft	1
4	40-0452	Piston	1
5	40-0453	Cylinder	1
6	40-0454	Gasket	2
7	40-0547	Clevis, AAC-302	1
8	40-0720	Cylinder Head	1
9	40-0852	Assy, Cyl Head - Rod End	1
10	50-0078	Hex Nut	4
11	50-0103	Lock Washer	4
12	50-0120	1/4" Zerk Fitting	1
13	50-0121	Hex Hd Bolt	4
14	50-0145	Clevis Pin	1
15	50-0146	Cotter Pin	1
16	50-0163	Hex Jam Nut	1
17	50-0232	Oil Hole Cover	1

# PACSEAL HYDRAULICS INC.

VALVES, ACCUMULATORS, CONTROLS

**PROPRIETARY AND CONFIDENTIAL**  
 THE INFORMATION CONTAINED IN THIS DRAWING IS THE SOLE PROPERTY OF PacSeal Hydraulics. ANY REPRODUCTION IN PART OR AS A WHOLE WITHOUT THE WRITTEN PERMISSION OF PacSeal Hydraulics IS PROHIBITED.

TITLE Air Actuator Cylinder Assembly - 3" 2 Position; AAC-302

SIZE <b>A</b>	DWG. NO. <b>40-1580</b>	REV <b>F</b>
SCALE: 1:3	WEIGHT: 12	SHEET 2 OF 2