

- Note:
1. Air Actuator Cylinder Ass'y - 4" Dia, 2 Position
 2. Stroke: 2-¹/₈"
 3. Working Pressure: 250 PSI

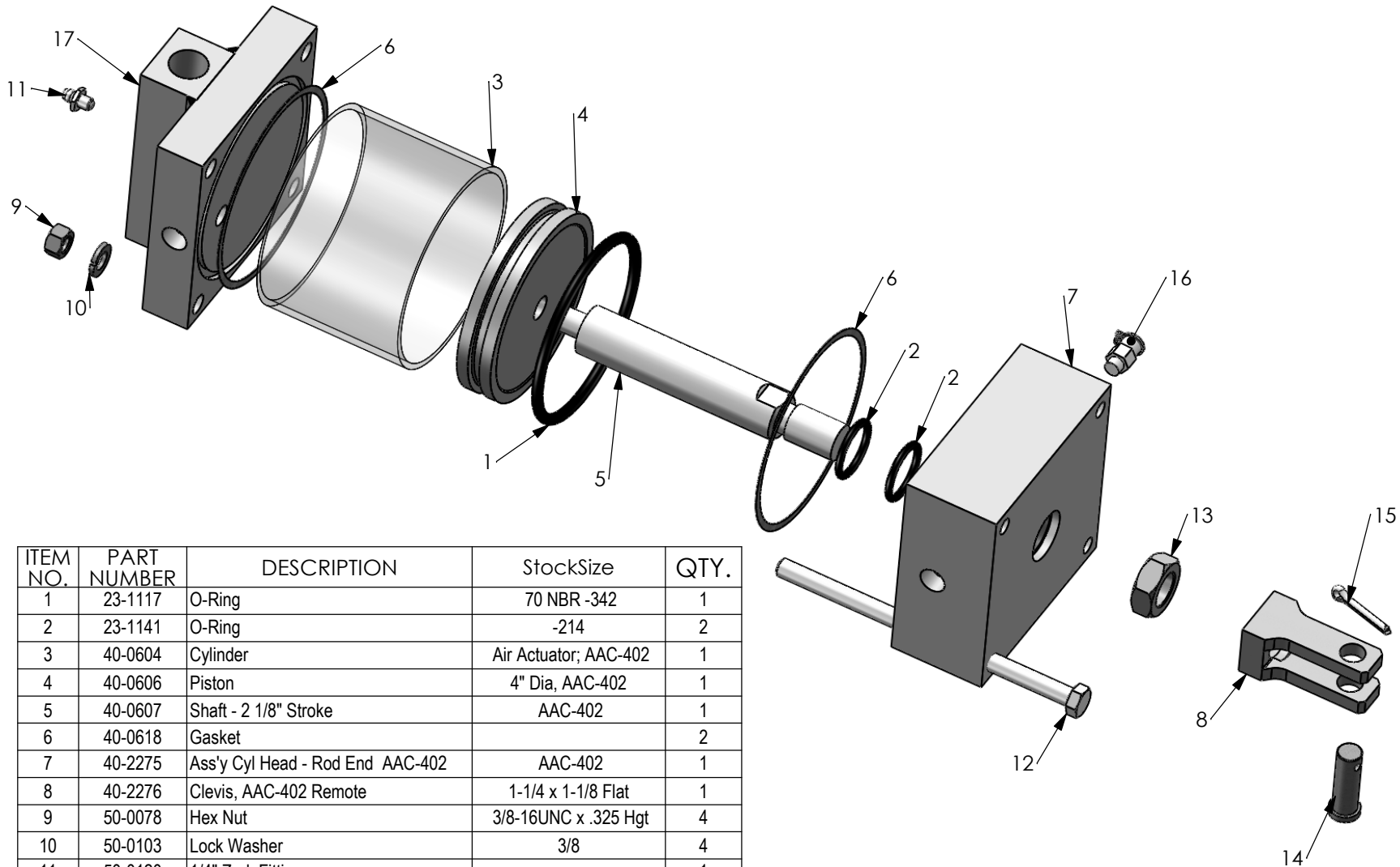
PACSEAL HYDRAULICS INC.

VALVES, ACCUMULATORS, CONTROLS

PROPRIETARY AND CONFIDENTIAL
 THE INFORMATION CONTAINED IN THIS DRAWING IS THE SOLE PROPERTY OF PacSeal Hydraulics. ANY REPRODUCTION IN PART OR AS A WHOLE WITHOUT THE WRITTEN PERMISSION OF PacSeal Hydraulics IS PROHIBITED.

TITLE
 Air Actuator Cylinder
 Assembly - 4" 2 Position;
 AAC-402

SIZE A	DWG. NO. 40-1604	REV A
SCALE: 1:2	WEIGHT: 23	SHEET 1 OF 2



ITEM NO.	PART NUMBER	DESCRIPTION	StockSize	QTY.
1	23-1117	O-Ring	70 NBR -342	1
2	23-1141	O-Ring	-214	2
3	40-0604	Cylinder	Air Actuator; AAC-402	1
4	40-0606	Piston	4" Dia, AAC-402	1
5	40-0607	Shaft - 2 1/8" Stroke	AAC-402	1
6	40-0618	Gasket		2
7	40-2275	Ass'y Cyl Head - Rod End AAC-402	AAC-402	1
8	40-2276	Clevis, AAC-402 Remote	1-1/4 x 1-1/8 Flat	1
9	50-0078	Hex Nut	3/8-16UNC x .325 Hgt	4
10	50-0103	Lock Washer	3/8	4
11	50-0120	1/4" Zerk Fitting		1
12	50-0121	Hex Hd Bolt	3/8-16UN x 6.0 Lg	4
13	50-0124	Nut	3/4-16UN	1
14	50-0145	Clevis Pin	AAC-302	1
15	50-0146	Cotter Pin	Used on: AAC-302	1
16	50-0232	Oil Hole Cover	5/16"-32 UNF	1
17	40-2272	Cylinder Head, Swivel End AAC-402	Swivel End; AAC-402	1

PacSeal HYDRAULICS INC.

VALVES, ACCUMULATORS, CONTROLS

PROPRIETARY AND CONFIDENTIAL
 THE INFORMATION CONTAINED IN THIS DRAWING IS THE SOLE PROPERTY OF PacSeal Hydraulics. ANY REPRODUCTION IN PART OR AS A WHOLE WITHOUT THE WRITTEN PERMISSION OF PacSeal Hydraulics IS PROHIBITED.

TITLE Air Actuator Cylinder Assembly - 4" 2 Position; AAC-402

SIZE A	DWG. NO. 40-1604	REV A
SCALE: 1:3	WEIGHT: 23	SHEET 2 OF 2