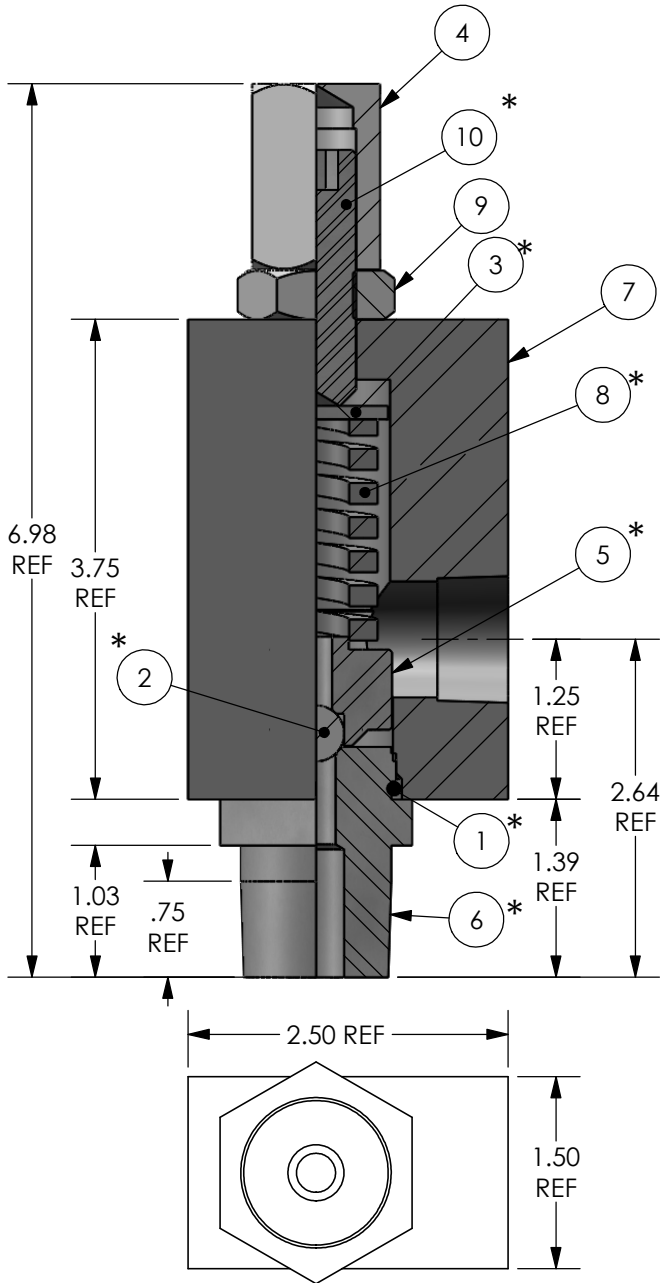


Notes:

- STEEL STAMP **FLOW** AT SIDE PORT, RV-3300 NEAR THE TOP AND SERIAL NO. & "MADE IN THE USA" NEAR THE BOTTOM

ITEM NO.	DESCRIPTION	PART NUMBER	QTY
1	O-Ring	23-1354	1
2	Ball, Bearing	40-0104	1
3	Washer, RV-75	40-0161	1
4	Thread Guard, RV-75	40-0162	1
5	Ball Guide - RV-75	40-0733	1
6	Seat, RV-75	40-0734	1
7	Body, RV-75	40-0735	1
8	Spring	40-0737	1
9	Jam Nut, RV-75	50-0062	1
10	Adjusting Screw	50-0217	1



* In Repair Kit (p/n 40-1707)

Temperature Rating: -30° TO 180°F

TOLERANCES		NAME	DATE	PacSeal Hydraulics		
UNLESS OTHERWISE SPECIFIED DIMENSIONS ARE IN INCHES		DRAWN	FS	12/28/11		
REMOVE BURRS & SHARP EDGES .020" MAX		CHECKED	JB	12/28/11		
MACH FILLET RADIUS .020" Max		ENG APPR.		TITLE: 3/4" Relief Valve - 3300 PSI RV-75		
MACH SURF FLAT WITHIN .001 IN. /IN.		MFG APPR.				
THREADS: CLASS 2A or 2B		Q.A.				
DIMENSIONS IN () ARE REFERENCE DIM.		COMMENTS:				
DIMENSIONAL TOLERANCES				SIZE	DWG. NO.	REV
.x ± .060	ANGULAR ±.5°			A	40-1646	C
.xx ± .031	SURFACE FINISH: 125			SCALE: N/A WEIGHT: 3.9 SHEET 1 OF 1		
.xxx ± .010	DO NOT SCALE DRAWING					
MATERIAL						
FINISH						

PROPRIETARY AND CONFIDENTIAL
THE INFORMATION CONTAINED IN THIS DRAWING IS THE SOLE PROPERTY OF PacSeal Hydraulics. ANY REPRODUCTION IN PART OR AS A WHOLE WITHOUT THE WRITTEN PERMISSION OF PacSeal Hydraulics IS PROHIBITED.

