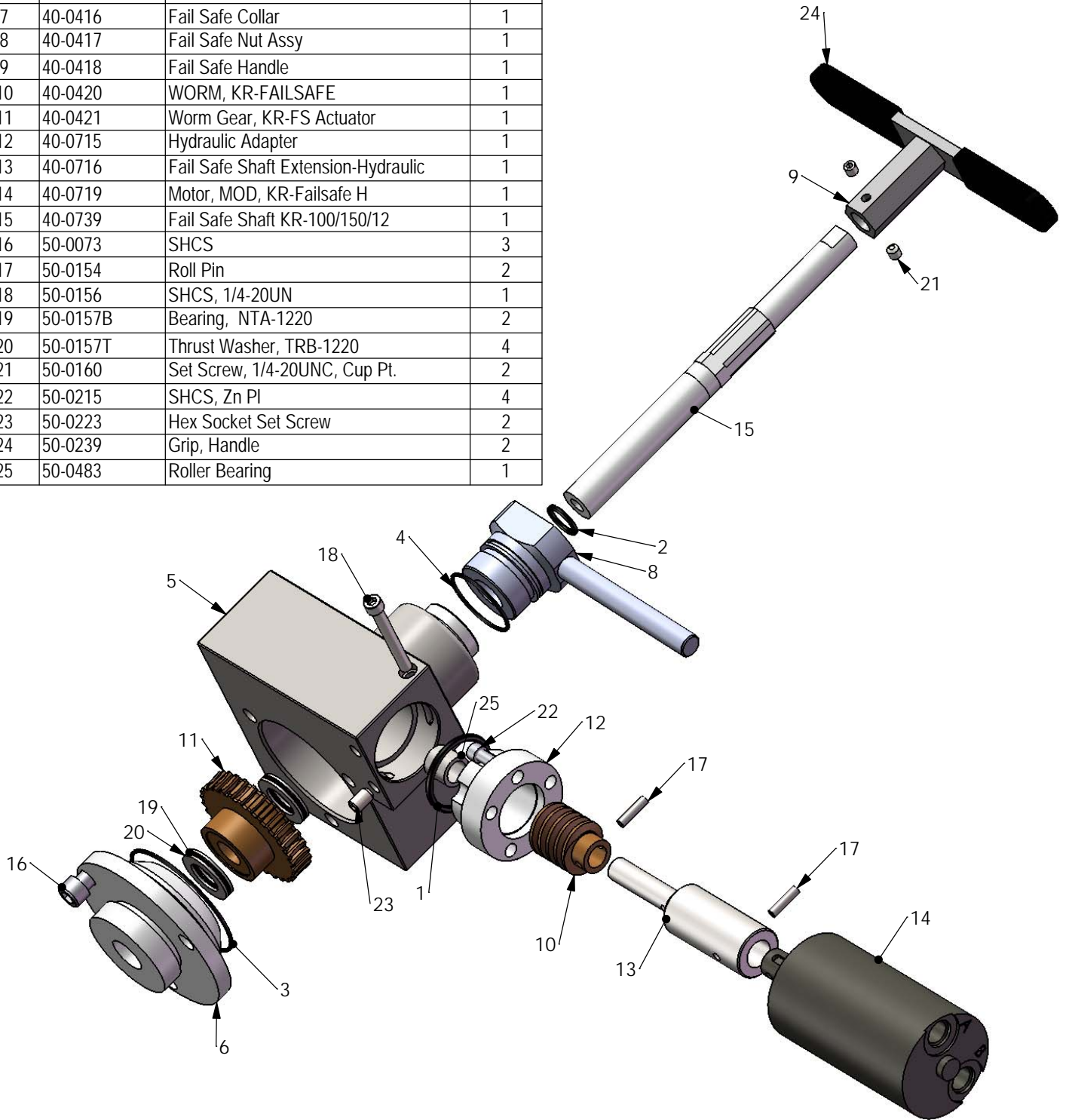


ITEM NO.	PART NUMBER	DESCRIPTION	QTY.
1	23-1123	O-Ring	1
2	23-1385	O-Ring	1
3	23-1404	O-Ring	1
4	23-1405	O-Ring	1
5	40-0413	Fail Safe Body	1
6	40-0414	ADAPTER PLATE, KR-FAILSAFE	1
7	40-0416	Fail Safe Collar	1
8	40-0417	Fail Safe Nut Assy	1
9	40-0418	Fail Safe Handle	1
10	40-0420	WORM, KR-FAILSAFE	1
11	40-0421	Worm Gear, KR-FS Actuator	1
12	40-0715	Hydraulic Adapter	1
13	40-0716	Fail Safe Shaft Extension-Hydraulic	1
14	40-0719	Motor, MOD, KR-Failsafe H	1
15	40-0739	Fail Safe Shaft KR-100/150/12	1
16	50-0073	SHCS	3
17	50-0154	Roll Pin	2
18	50-0156	SHCS, 1/4-20UN	1
19	50-0157B	Bearing, NTA-1220	2
20	50-0157T	Thrust Washer, TRB-1220	4
21	50-0160	Set Screw, 1/4-20UNC, Cup Pt.	2
22	50-0215	SHCS, Zn Pl	4
23	50-0223	Hex Socket Set Screw	2
24	50-0239	Grip, Handle	2
25	50-0483	Roller Bearing	1



# PACSEAL HYDRAULICS INC.

VALVES, ACCUMULATORS, CONTROLS

**PROPRIETARY AND CONFIDENTIAL**

THE INFORMATION CONTAINED IN THIS DRAWING IS THE SOLE PROPERTY OF PacSeal Hydraulics. ANY REPRODUCTION IN PART OR AS A WHOLE WITHOUT THE WRITTEN PERMISSION OF PacSeal Hydraulics IS PROHIBITED.

**TITLE:**

Actuator, KR FSH H.P.

SIZE  
**A**

DWG. NO.

**40-1650**

REV  
**A**

SCALE: 1:3

WEIGHT: 23

SHEET 1 OF 1

40-1650