

MODEL No. KR-100N5RFSH
 MAX INLET: 5000 PSI
 REGULATED OUTLET: 300-1700 PSI
 SPECIFIED FLOW: 75 GPM
 Cv Outlet: 9.40
 Cv Vent: 1.40
 SUPPLY PORT: 1" NPT (DUAL)
 REGULATED OUTLET: 1-1/2" NPT
 VENT PORT: 1" NPT
 OPERATOR: FAIL SAFE HYDRAULIC MOTOR

- MATERIAL:
- BODY: CARBON STEEL
 - FLANGES & OPERATORS: CARBON STEEL
 - INTERNAL: STAINLESS STEEL & BRASS
 - O-RINGS: BUNA (NITRILE)
 - BACKUPS: TEFLON

TEMPERATURE RATING: -30°F TO 180°F
 WEIGHT: 89 LBS

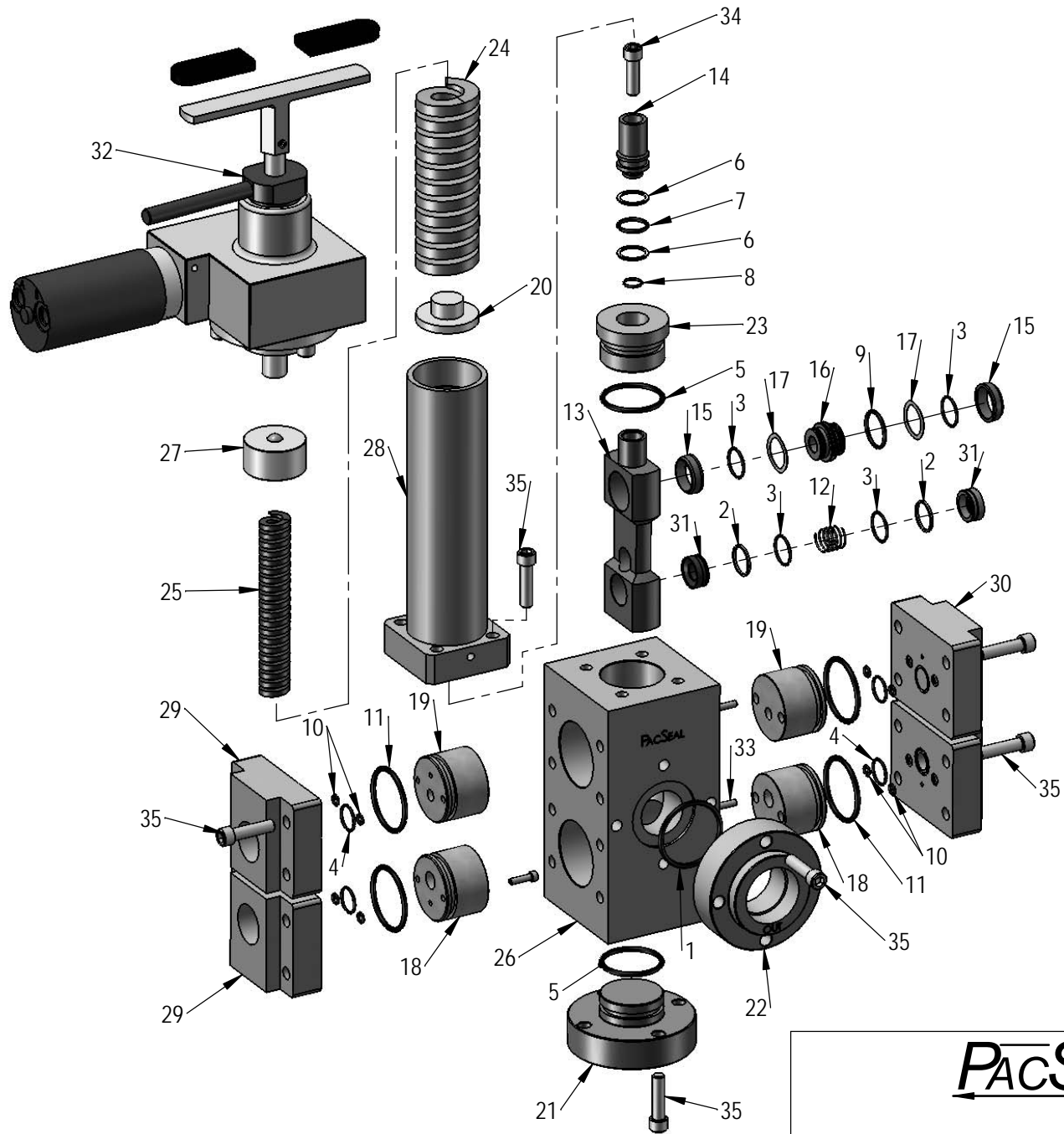
NOTE:

1. TURN CLOCKWISE TO LOCK FOR FAILSAFE HYDRAULIC OPERATION
2. TURN COUNTER-CLOCKWISE TO UNLOCK FOR MANUAL OPERATION

PacSeal HYDRAULICS Inc.

VALVES, ACCUMULATORS, CONTROLS

PROPRIETARY AND CONFIDENTIAL THE INFORMATION CONTAINED IN THIS DRAWING IS THE SOLE PROPERTY OF PacSeal Hydraulics. ANY REPRODUCTION IN PART OR AS A WHOLE WITHOUT THE WRITTEN PERMISSION OF PacSeal Hydraulics IS PROHIBITED.	TITLE		SIZE	DWG. NO.	REV
	Regulator, KR-100 FSH		A	40-1689	1
		SCALE: 1:5	WEIGHT: 89	SHEET 1 OF 2	



ITEM NO.	PART NUMBER	DESCRIPTION	QTY.
1	23-1126	O-Ring	1
2	23-1322	Backup Ring	2
3	23-1323	O-Ring	4
4	23-1326	O-Ring	4
5	23-1330	O-Ring	2
6	23-1331	Backup Ring	2
7	23-1332	O-Ring	1
8	23-1333	O-Ring	1
9	23-1334	O-Ring	1
10	23-1335	O-Ring	8
11	23-1336	O-Ring	4
12	40-0110	Spring	1
13	40-0111	Seal Container	1
14	40-0112	Piston, KR-100M	1
15	40-0113	Seal Ring- Vent	2
16	40-0114	Valve, Cage	1
17	40-0115	Wave Spring	2
18	40-0117	Flow Plate, Supply KR-100	2
19	40-0118	Flow Plate, Vent KR-100	2
20	40-0134	Spring Plate	1
21	40-0137	Flange, Lower	1
22	40-0138	Flange, Outlet	1
23	40-0139	Guide Plunger	1
24	40-0143	Spring, Outer	1
25	40-0144	Spring, Inner	1
26	40-0148	Body, KR-100	1
27	40-0300	Spring Guide	1
28	40-0388	Adjustment Head	1
29	40-0958	Flange, Inlet & Vent	3
30	40-0959	Flange, Blind	1
31	40-1176	Seal Ring, Supply	2
32	40-1650	Actuator, KR FSH H.P.	1
33	50-0067	Bolt, SHCS	8
34	50-0068	Bolt, SHCS	1
35	50-0069	Bolt, SHCS	28

PacSeal HYDRAULICS INC.

VALVES, ACCUMULATORS, CONTROLS

PROPRIETARY AND CONFIDENTIAL
 THE INFORMATION CONTAINED IN THIS DRAWING IS THE SOLE PROPERTY OF PacSeal Hydraulics. ANY REPRODUCTION IN PART OR AS A WHOLE WITHOUT THE WRITTEN PERMISSION OF PacSeal Hydraulics IS PROHIBITED.

TITLE
 Regulator, KR-100 FSH

SIZE A	DWG. NO. 40-1689	REV 1
------------------	----------------------------	-----------------

SCALE: 1:5	WEIGHT: 89	SHEET 2 OF 2
------------	------------	--------------