

Model No. KR-150N5PH
 MAX INLET: 5000 PSI
 REGULATED OUTLET: 50-5000 PSI
 SPECIFIED FLOW: 150 GPM
 Cv Inlet: 14.9
 Cv Vent: 4.1
 VENT PORT: (2) 1" NPT
 INLET PORTS (2): 1" NPT
 OUTLET PORT: 1 1/2" NPT
 OPERATOR: HYDRAULIC PILOT

MATERIALS:

- BODY: STAINLESS STEEL
- FLANGES & OPERATORS: CARBON STEEL
- INTERNAL: STAINLESS STEEL
- O-RINGS: BUNA (NITRILE)
- BACKUPS: TEFLON
- BOLTS : STEEL (A574)

TEMPERATURE RATING: -30°F TO 180°F
 WEIGHT: 63 LBS

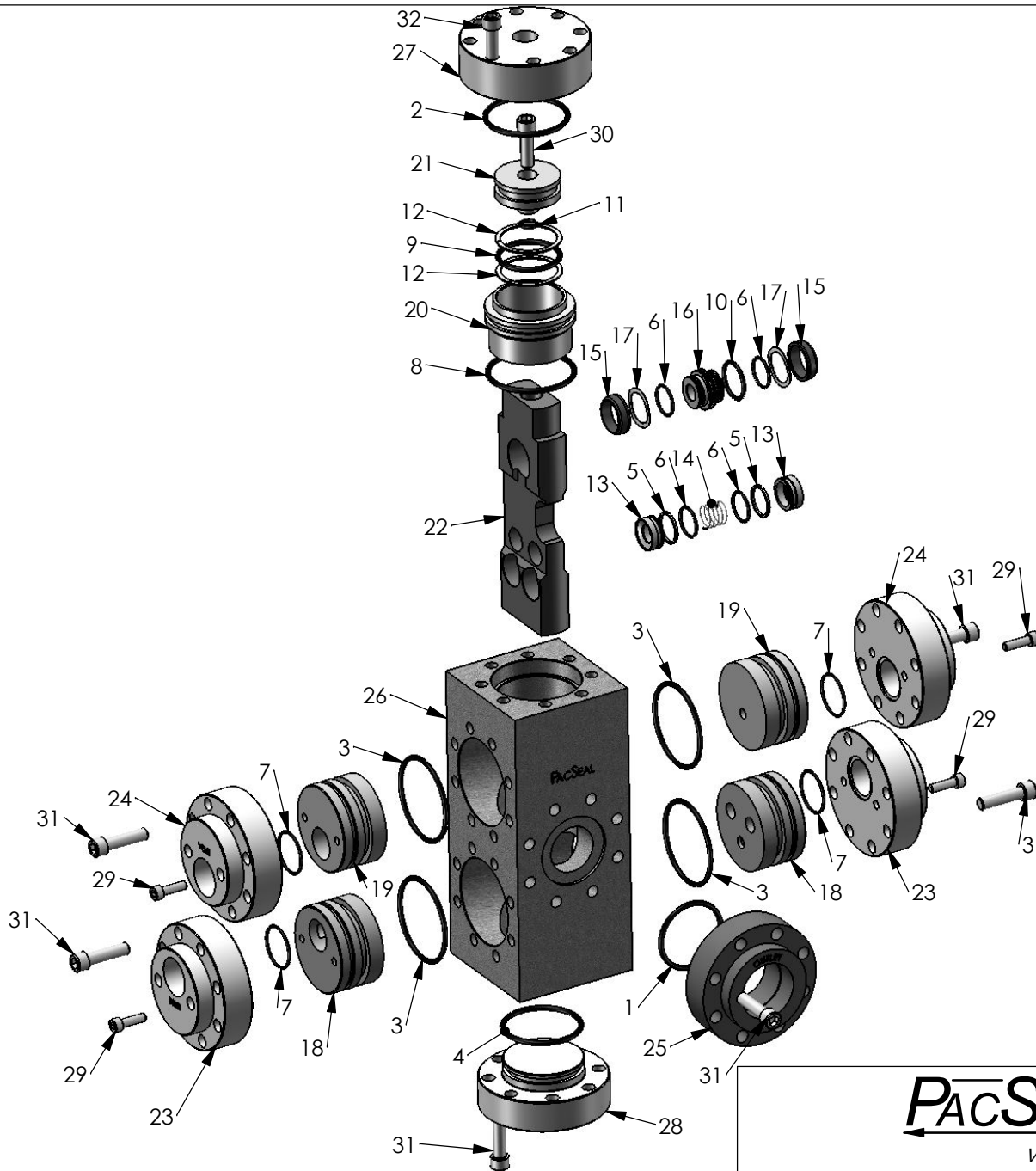
PROPRIETARY AND CONFIDENTIAL
 THE INFORMATION CONTAINED IN THIS DRAWING IS THE SOLE PROPERTY OF PacSeal Hydraulics. ANY REPRODUCTION IN PART OR AS A WHOLE WITHOUT THE WRITTEN PERMISSION OF PacSeal Hydraulics IS PROHIBITED.

	NAME	DATE
DRAWN	FS	5/13
CHECKED	JB	5/13
ENG APPR.		

COMMENTS:



PacSeal Hydraulics		
TITLE: KR-150 Regulator - Hydraulic Pilot		
SIZE A	DWG. NO. 40-1699	REV 2
SCALE: 1:4	WEIGHT: 63	SHEET 1 OF 2



ITEM NO.	PART NUMBER	DESCRIPTION	QTY.
1	23-1126	O-Ring	1
2	23-1128	O-Ring	1
3	23-1263	O-Ring	4
4	23-1319	O-Ring	1
5	23-1322	Backup Ring	4
6	23-1323	O-Ring	6
7	23-1325	O-Ring	4
8	23-1327	O-Ring	1
9	23-1330	O-Ring	1
10	23-1334	O-Ring	1
11	23-1343	O-Ring	1
12	23-1413	Backup Ring	2
13	40-0014	Seal Ring, Supply	4
14	40-0110	Spring	2
15	40-0113	Seal Ring- Vent	2
16	40-0114	Valve, Cage	1
17	40-0115	Wave Spring	2
18	40-0285	Flow Plate, Supply	2
19	40-0286	Flow Plate, Vent	2
20	40-0318	Piston Guide	1
21	40-0319	Piston, Hydraulic	1
22	40-0320	Seal Container	1
23	40-0321	Flange, Inlet & Vent	2
24	40-0321	Flange, Inlet & Vent	2
25	40-0322	Flange, Outlet	1
26	40-0323	Body, KR-150	1
27	40-0324	Hydraulic Head	1
28	40-0412	Flange, Lower	1
29	50-0066	Bolt, SHCS	8
30	50-0068	Bolt, SHCS	1
31	50-0069	Bolt, SHCS	48
32	50-0083	SHCS	8

PacSeal Hydraulics Inc.

VALVES, ACCUMULATORS, CONTROLS

PROPRIETARY AND CONFIDENTIAL
 THE INFORMATION CONTAINED IN THIS DRAWING IS THE SOLE PROPERTY OF PacSeal Hydraulics. ANY REPRODUCTION IN PART OR AS A WHOLE WITHOUT THE WRITTEN PERMISSION OF PacSeal Hydraulics IS PROHIBITED.

TITLE
KR-150 Regulator - Hydraulic Pilot

SIZE A	DWG. NO. 40-1699	REV 2
SCALE: 1:5	WEIGHT: 63	SHEET 2 OF 2