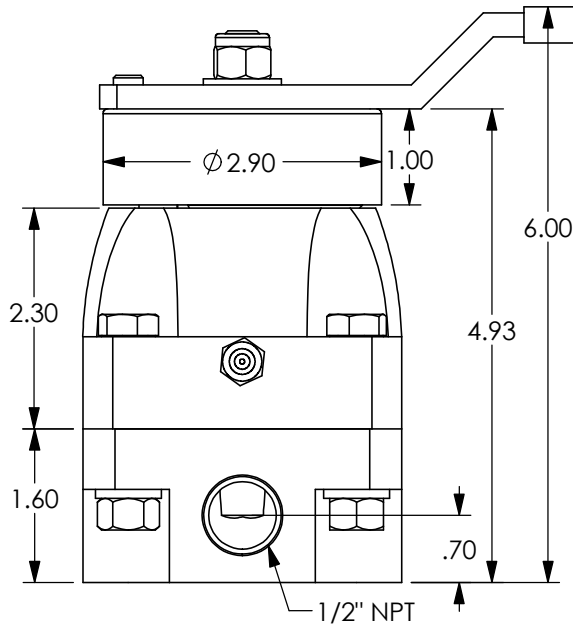
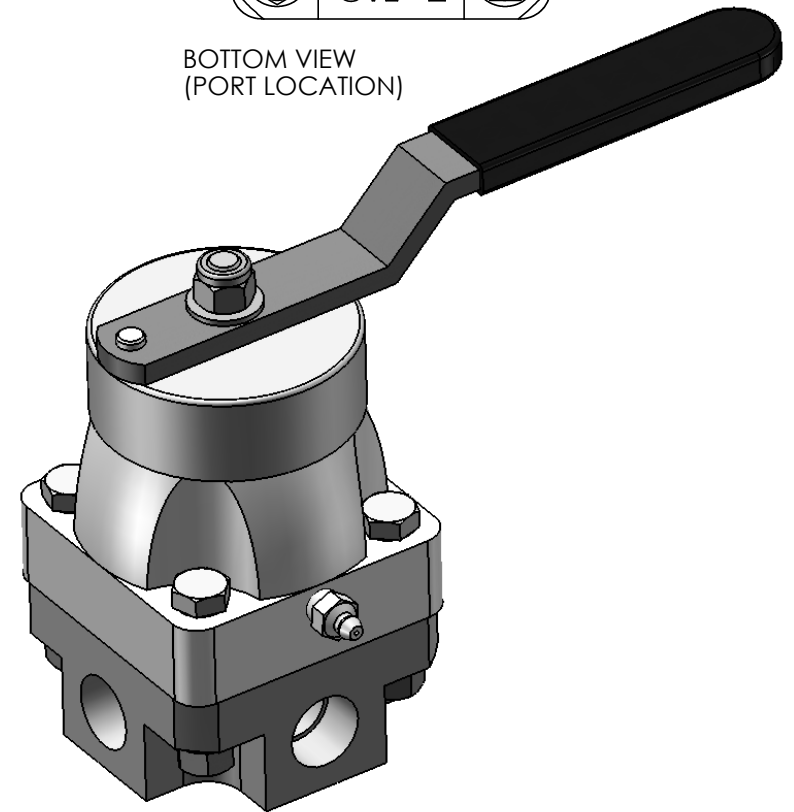


BOTTOM VIEW  
(PORT LOCATION)



- MATERIAL:**
- SV BODY: 416 SS
  - HOUSING: CARBON STEEL
  - HANDLE, DETENT & SPACERS: PLATED CARBON STEEL
  - SHAFT: 416 SS
  - SHEARFLO SEALING COMPONENTS: 440c HARDENED
  - O-RINGS: BUNA (NITRILE)
  - BACKUPS: TEFLON

MODEL NO: **SV 50-4N3ISS1SN**  
 ROTOR: SELECTOR  
 ALL PORTS: 1/2" NPT  
 WORKING PRESSURE: 3000 PSI  
 RETURN PORT: 250 PSI MAX  
 Cv: 3.2  
 FLOW: 30 GPM  
 TEMP RATING: -30° TO 180°F

**PROPRIETARY AND CONFIDENTIAL**

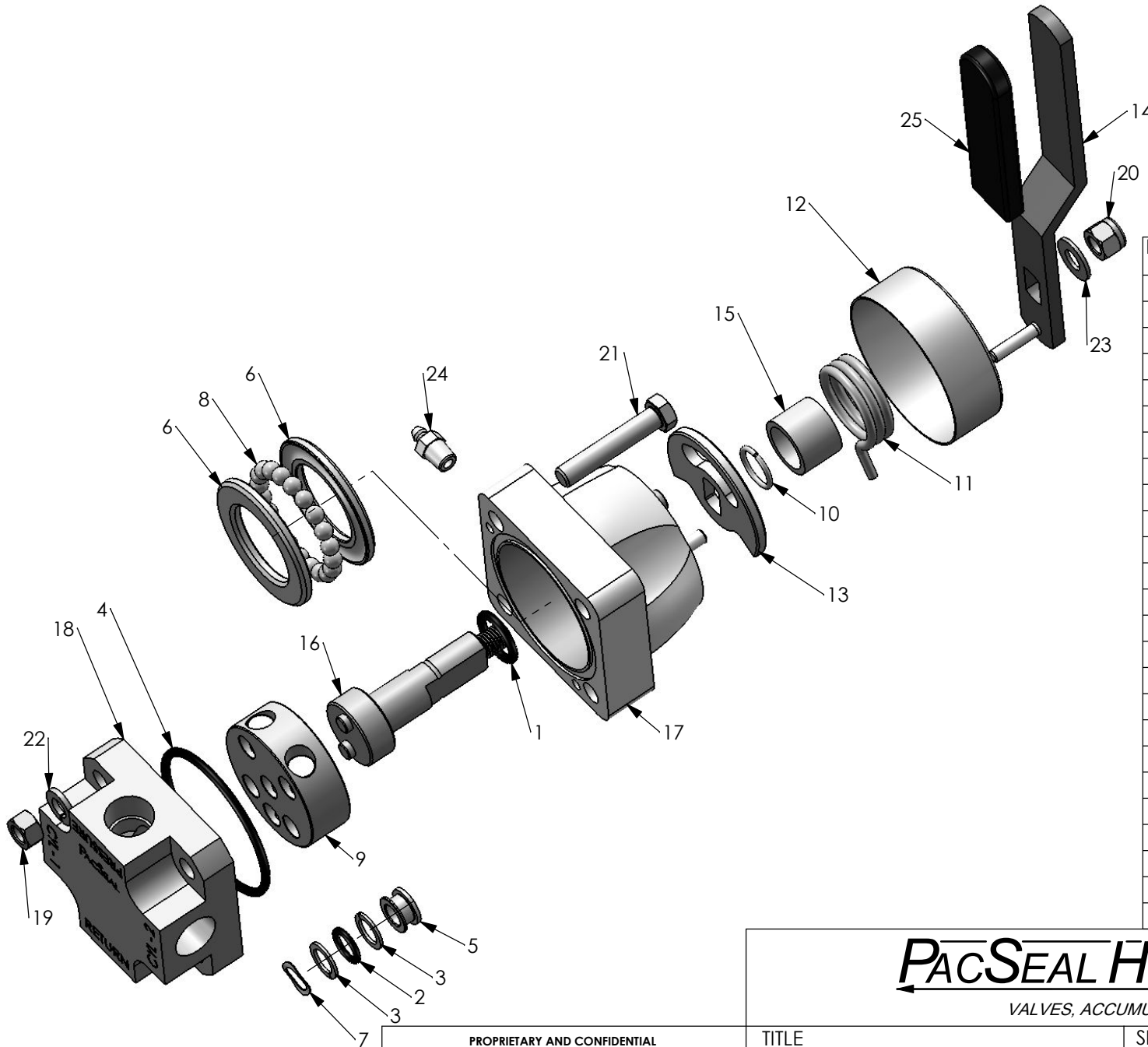
THE INFORMATION CONTAINED IN THIS DRAWING IS THE SOLE PROPERTY OF PacSeal Hydraulics. ANY REPRODUCTION IN PART OR AS A WHOLE WITHOUT THE WRITTEN PERMISSION OF PacSeal Hydraulics IS PROHIBITED.

**PacSeal Hydraulics Inc.**

VALVES, ACCUMULATORS, CONTROLS

TITLE  
**SV-50 Inline Ported,  
 Spring Center**

SIZE <b>A</b>	DWG. NO. <b>40-1748</b>	REV <b>1</b>
SCALE: 1:2	WEIGHT: 10	SHEET 1 OF 2



ITEM NO.	PART NUMBER	DESCRIPTION	QTY.
1	23-1125	O-Ring	1
2	23-1337	O-Ring	1
3	23-1414	Backup Ring	2
4	23-1415	O-Ring	1
5	40-0219	Seal Ring, SV-50	1
6	40-0227	Thrust Washer, SV-50	2
7	40-0237	Wave Spring	1
8	40-0259	Ball, Bearing	20
9	40-0262	Rotor, SV-50 Selector	1
10	40-0289	Retaining Ring	1
11	40-0743	Torsion Spring	1
12	40-0747	Spring Guard	1
13	40-0757	Detent Disc	1
14	40-0764	Handle, Spring Centered	1
15	40-0767	Spacer, Handle	1
16	40-0769	Shaft, SV-50 Spring Centered	1
17	40-1027	SV-50 Housing	1
18	40-1425	Body, SV-50	1
19	50-0078	Hex Nut	4
20	50-0092	Locknut	1
21	50-0098	Bolt	4
22	50-0103	Lock Washer	4
23	50-0107	Washer, Shaft	1
24	50-0176	Grease Fitting	1
25	50-0237	Grip, Handle	1

# PACSEAL HYDRAULICS INC.

VALVES, ACCUMULATORS, CONTROLS

**PROPRIETARY AND CONFIDENTIAL**  
 THE INFORMATION CONTAINED IN THIS DRAWING IS THE SOLE PROPERTY OF PacSeal Hydraulics. ANY REPRODUCTION IN PART OR AS A WHOLE WITHOUT THE WRITTEN PERMISSION OF PacSeal Hydraulics IS PROHIBITED.

TITLE	SIZE	DWG. NO.	REV
SV-50 Inline Ported, Spring Center	<b>A</b>	40-1748	1
SCALE: 2:5	WEIGHT: 10	SHEET 2 OF 2	