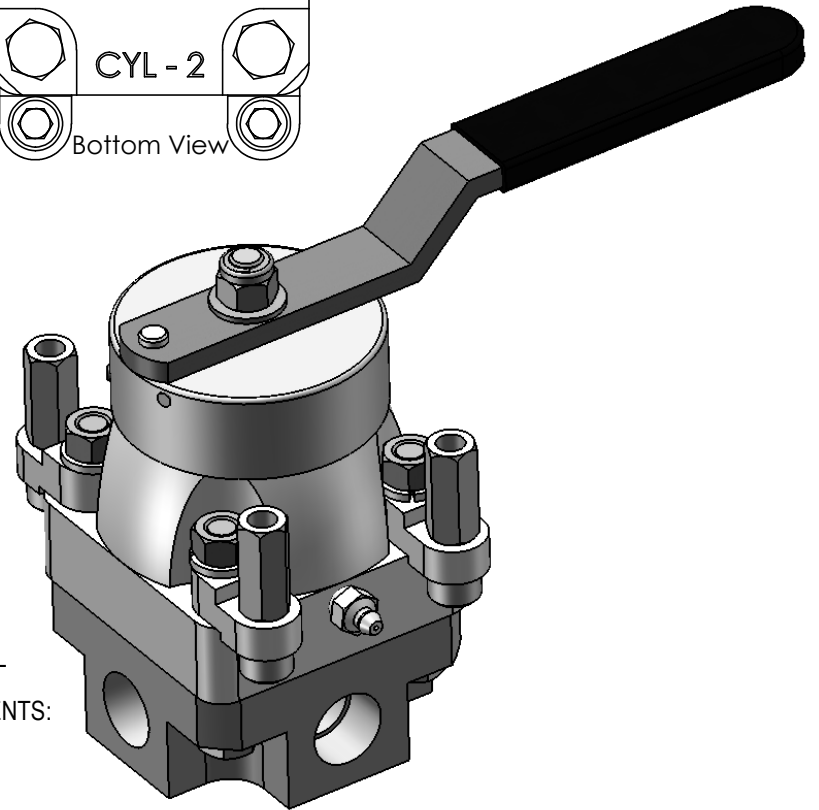


MATERIAL:

- SV BODY: 416 SS
- HOUSING: CARBON STEEL
- HANDLE, DETENT & SPACERS: PLATED CARBON STEEL
- SHAFT: 416 SS
- SHEARFLO SEALING COMPONENTS: 440c HARDENED
- O-RINGS: BUNA (NITRILE)
- BACKUPS: TEFLON



MODEL NO: **SV 50-4N3IPS1SN**
 ROTOR: SELECTOR
 ALL PORTS: 1/2" NPT
 WORKING PRESSURE: 3000 PSI
 RETURN PORT: 250 PSI MAX
 Cv: 3.2
 FLOW: 30 GPM
 TEMP RATING: -30° TO 180°F

PROPRIETARY AND CONFIDENTIAL

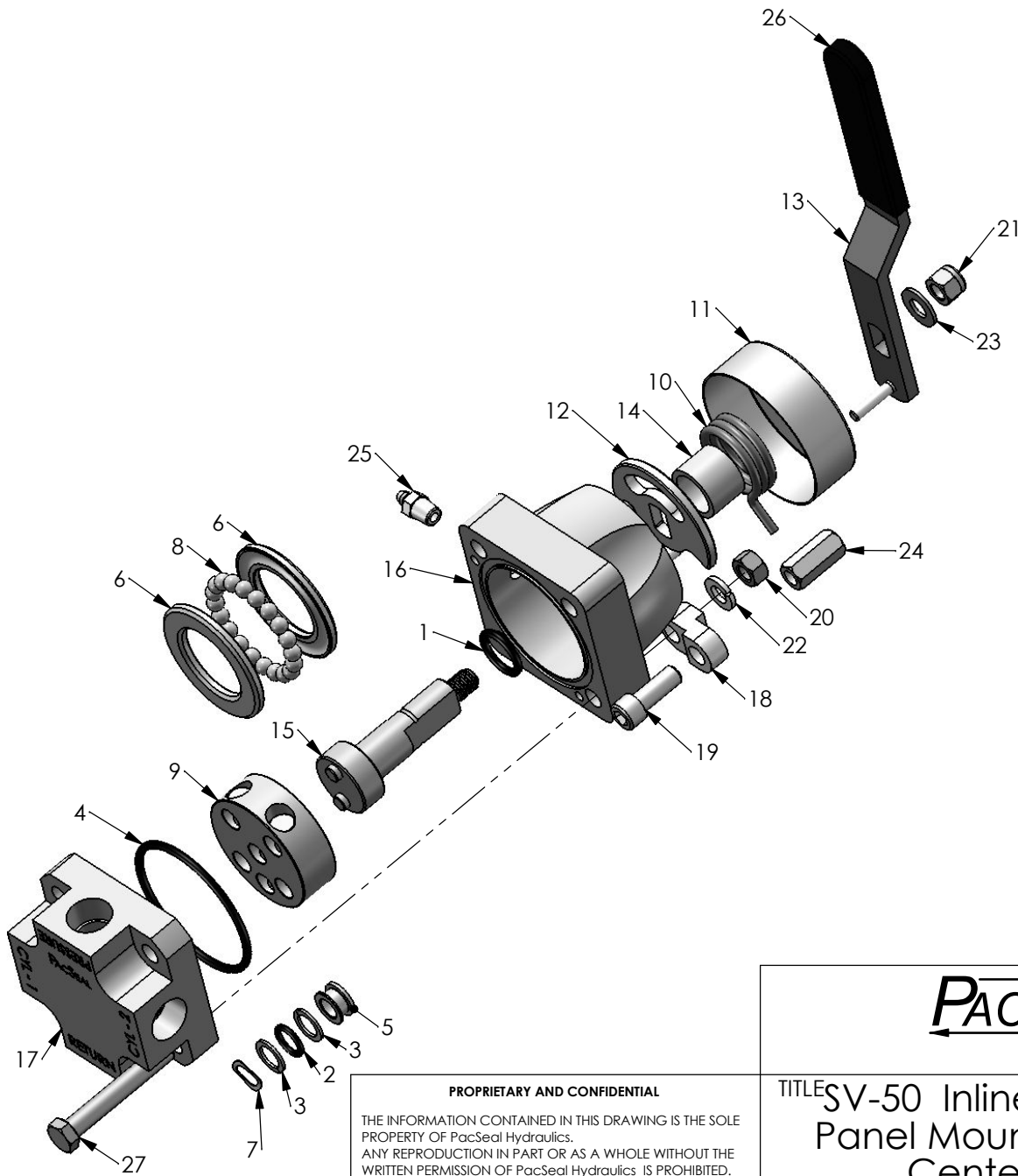
THE INFORMATION CONTAINED IN THIS DRAWING IS THE SOLE PROPERTY OF PacSeal Hydraulics. ANY REPRODUCTION IN PART OR AS A WHOLE WITHOUT THE WRITTEN PERMISSION OF PacSeal Hydraulics IS PROHIBITED.

PacSeal Hydraulics Inc.

VALVES, ACCUMULATORS, CONTROLS

TITLE SV-50 Inline Ported Panel Mount, Spring Centered

SIZE	DWG. NO.	REV
A	40-1748-PM	2
SCALE: 1:2	WEIGHT: 9	SHEET 1 OF 2



ITEM NO.	PART NUMBER	DESCRIPTION	QTY.
1	23-1125	O-Ring	1
2	23-1337	O-Ring	3
3	23-1414	Backup Ring	6
4	23-1415	O-Ring	1
5	40-0219	Seal Ring, SV-50	3
6	40-0227	Thrust Washer, SV-50	2
7	40-0237	Wave Spring	3
8	40-0259	Ball, Bearing	20
9	40-0262	Rotor, SV-50 Selector	1
10	40-0743	Torsion Spring	1
11	40-0747	Spring Guard	1
12	40-0757	Detent Disc	1
13	40-0764	Handle, Spring Centered	1
14	40-0767	Spacer, Handle	1
15	40-0769	Shaft, SV-50 Spring Centered	1
16	40-1027	Housing, SV-50 Spring Centered	1
17	40-1425	Body, SV-50	1
18	40-1440	Adapter, Panel Mount	4
19	50-0072	SHCS	4
20	50-0078	Hex Nut	4
21	50-0092	Locknut	1
22	50-0103	Lock Washer	4
23	50-0107	Washer, Shaft	1
24	50-0113	Nut, Panel Mount	4
25	50-0176	Grease Fitting	1
26	50-0237	Grip, Handle	1
27	50-0267	Bolt	4

PACSEAL HYDRAULICS INC.

VALVES, ACCUMULATORS, CONTROLS

PROPRIETARY AND CONFIDENTIAL
 THE INFORMATION CONTAINED IN THIS DRAWING IS THE SOLE PROPERTY OF PacSeal Hydraulics. ANY REPRODUCTION IN PART OR AS A WHOLE WITHOUT THE WRITTEN PERMISSION OF PacSeal Hydraulics IS PROHIBITED.

TITLE SV-50 Inline Ported Panel Mount, Spring Centered	SIZE	DWG. NO.	REV
	A	40-1748-PM	2
SCALE: 1:3	WEIGHT: 9	SHEET 2 OF 2	