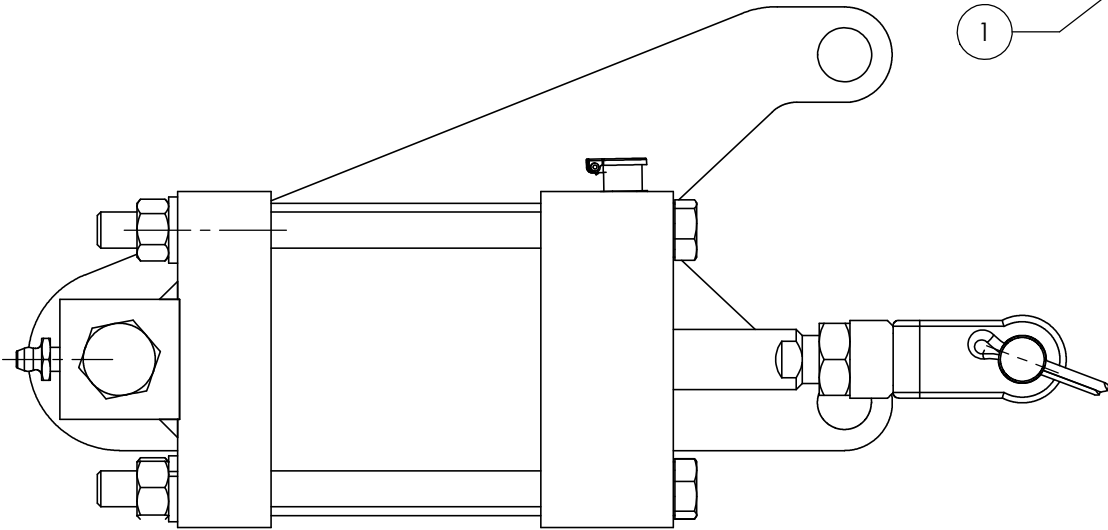
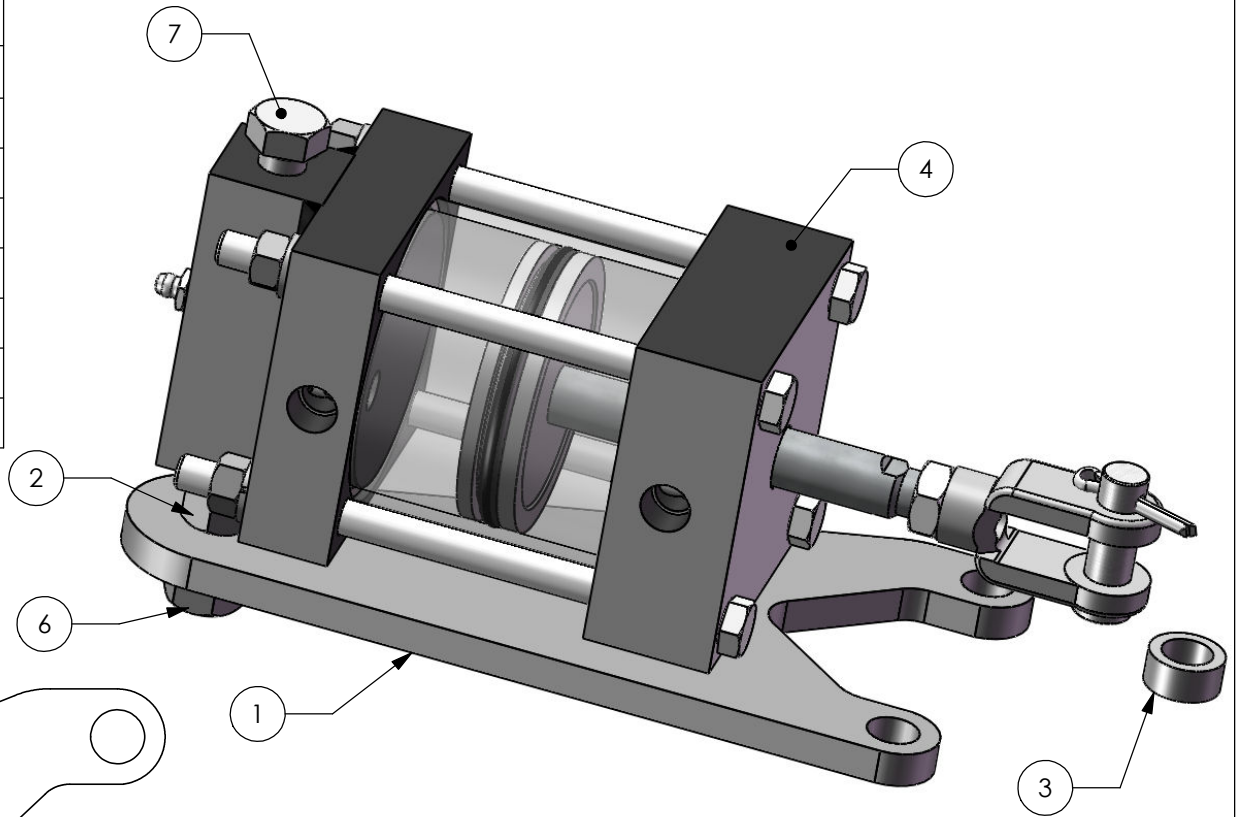


# Air Cylinder Kit - 3"

ITEM NO.	PART NUMBER	DESCRIPTION	QTY.
1	40-0455	Bracket, AAC-302	1
2	40-0558	Spacer Nut, AAC-302	1
3	40-0559	Spacer, AAC-302	1
4	40-1580	Air Actuator Cylinder Assembly - 3" 2 Position; AAC-302	1
5	50-0104	Lock Washer	1
6	50-0110	Hex Nut	1
7	50-0165	Hex Head Bolt	1



**PACSEAL HYDRAULICS INC.**

VALVES, ACCUMULATORS, CONTROLS

**PROPRIETARY AND CONFIDENTIAL**  
 THE INFORMATION CONTAINED IN THIS DRAWING IS THE SOLE PROPERTY OF PacSeal Hydraulics. ANY REPRODUCTION IN PART OR AS A WHOLE WITHOUT THE WRITTEN PERMISSION OF PacSeal Hydraulics IS PROHIBITED.

TITLE  
**Air Cylinder Kit, 3" (AAC-302)**

SIZE <b>A</b>	DWG. NO. <b>40-1787</b>	REV <b>1</b>
SCALE: 1:2	WEIGHT: 15	