

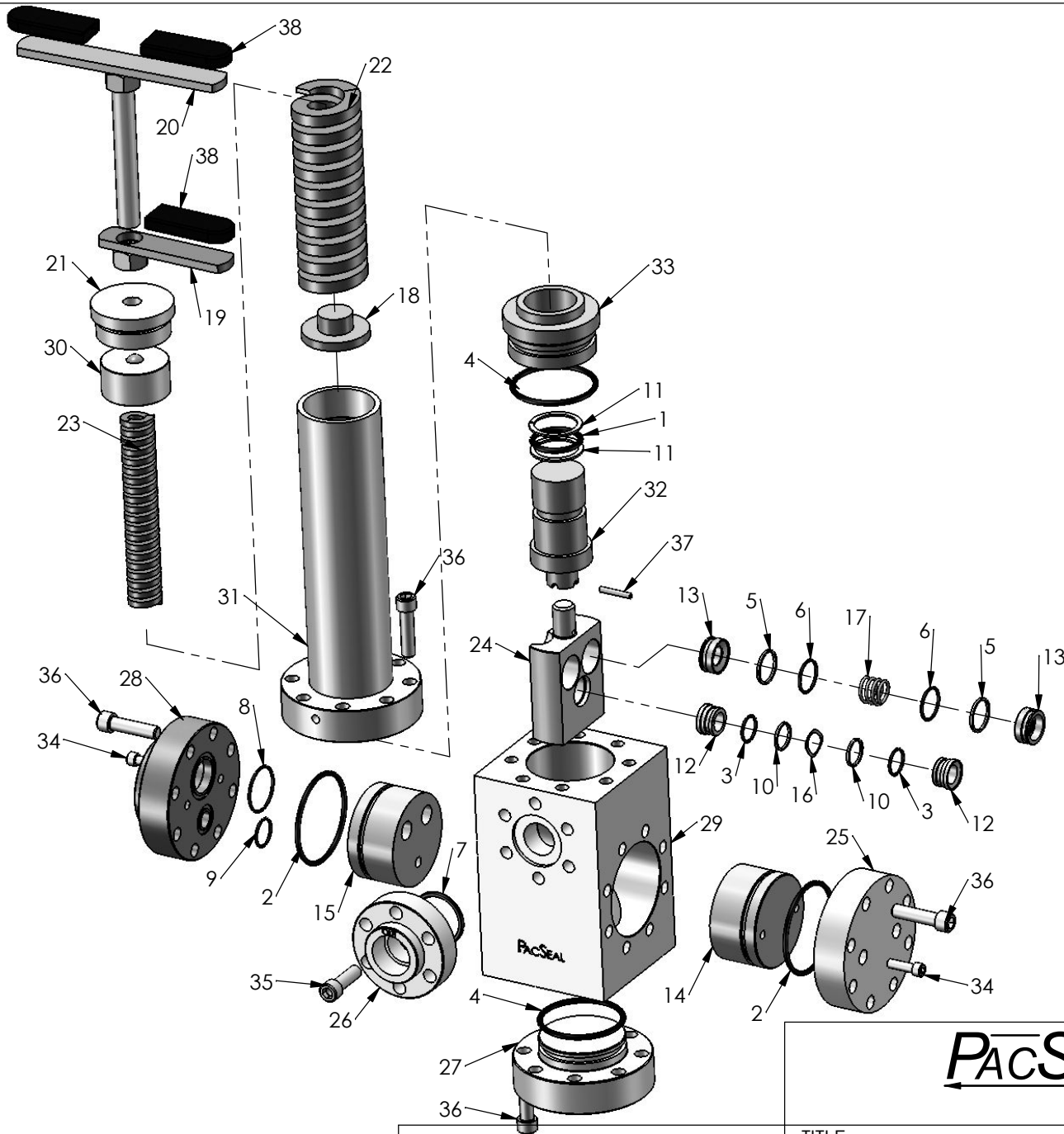
MODEL No. KR-75N3LM  
 MAX INLET: 3000 PSI  
 REGULATED OUTLET: 50-1500 PSI  
 SPECIFIED FLOW: 75 GPM  
 Cv Outlet: 9.40  
 Cv Vent: 1.40  
 SUPPLY PORT: 1" NPT  
 REGULATED OUTLET: 1" NPT  
 VENT PORT: 1/2" NPT  
 OPERATOR: MANUAL OPERATOR

MATERIAL:  
 • BODY: STAINLESS STEEL  
 • FLANGES & OPERATORS: CARBON STEEL  
 • INTERNAL: STAINLESS STEEL  
 • O-RINGS: BUNA (NITRILE)  
 • BACKUPS: TEFLON

TEMPERATURE RATING: -30°F TO 180°F  
 WEIGHT: 48 LBS

**PROPRIETARY AND CONFIDENTIAL**  
 THE INFORMATION CONTAINED IN THIS DRAWING IS THE SOLE PROPERTY OF PacSeal Hydraulics. ANY REPRODUCTION IN PART OR AS A WHOLE WITHOUT THE WRITTEN PERMISSION OF PacSeal Hydraulics IS PROHIBITED.

<b>PacSeal Hydraulics Inc.</b>			
<i>VALVES, ACCUMULATORS, CONTROLS</i>			
TITLE	SIZE	DWG. NO.	REV
Regulator, KR-75LM	<b>A</b>	40-1848	3
SCALE: 1:5		SHEET 1 OF 2	



ITEM NO.	PART NUMBER	DESCRIPTION	QTY.
1	23-1124	O-Ring	1
2	23-1263	O-Ring	2
3	23-1293	O-Ring	2
4	23-1319	O-Ring	2
5	23-1322	Backup Ring	4
6	23-1323	O-Ring	4
7	23-1324	O-Ring	1
8	23-1325	O-Ring	1
9	23-1326	O-Ring	1
10	23-1329	Backup Ring	2
11	23-1342	Backup Ring	2
12	40-0013	Seal Ring, Vent, KR-75	2
13	40-0014	Seal Ring, Supply	4
14	40-0015	Flow Plate, Blind	1
15	40-0016	Flow Plate	1
16	40-0109	Wave Spring	1
17	40-0110	Compression Spring	2
18	40-0134	Spring Plate	1
19	40-0135	Lock Handle	1
20	40-0136	Adjusting Screw & Handle	1
21	40-0140	Plug, Adjustment Head	1
22	40-0143	Spring, Outer	1
23	40-0144	Spring, Inner	1
24	40-0182	Seal Container	1
25	40-0195	Flange, Blind	1
26	40-0196	Flange, Outlet	1
27	40-0197	Flange, Lower	1
28	40-0198	Flange, Main	1
29	40-0200	Body, KR-75	1
30	40-0300	Spring Guide	1
31	40-0383	Ajustment Head	1
32	40-0995	Piston	1
33	40-0996	Plunger Guide	1
34	50-0066	SHCS	4
35	50-0068	Bolt, SHCS	6
36	50-0069	Bolt, SHCS	32
37	50-0117	Roll Pin	1
38	50-0239	Grip, Handle	3

# PacSEAL HYDRAULICS INC.

VALVES, ACCUMULATORS, CONTROLS

**PROPRIETARY AND CONFIDENTIAL**  
 THE INFORMATION CONTAINED IN THIS DRAWING IS THE SOLE PROPERTY OF PacSeal Hydraulics. ANY REPRODUCTION IN PART OR AS A WHOLE WITHOUT THE WRITTEN PERMISSION OF PacSeal Hydraulics IS PROHIBITED.

TITLE  
**Regulator, KR-75LM**

SIZE <b>A</b>	DWG. NO. <b>40-1848</b>	REV <b>3</b>
------------------	----------------------------	-----------------

SCALE: 1:5 SHEET 2 OF 2