

Model No.: KR-140N3RFSH

- MAX INLET: 3000 PSI
- REGULATED OUTLET: 500-2000 PSI
- SPECIFIED FLOW: 150 GPM
- Cv Outlet: 14.9
- Cv Vent: 2.80
- SUPPLY PORT (2): 1" NPT
- REGULATED OUTLET: 1-1/2" NPT
- VENT PORT (2): 1/2" NPT
- OPERATOR: FAILSAFE HYD (3/8" SAE)
(MAX PRESSURE:1500 PSI)

MATERIAL:

- BODY: STAINLESS STEEL
- FLANGES & OPERATORS: CARBON STEEL
- INTERNAL: STAINLESS STEEL
- O-RINGS: BUNA (NITRILE)
- BACKUPS:TEFLON

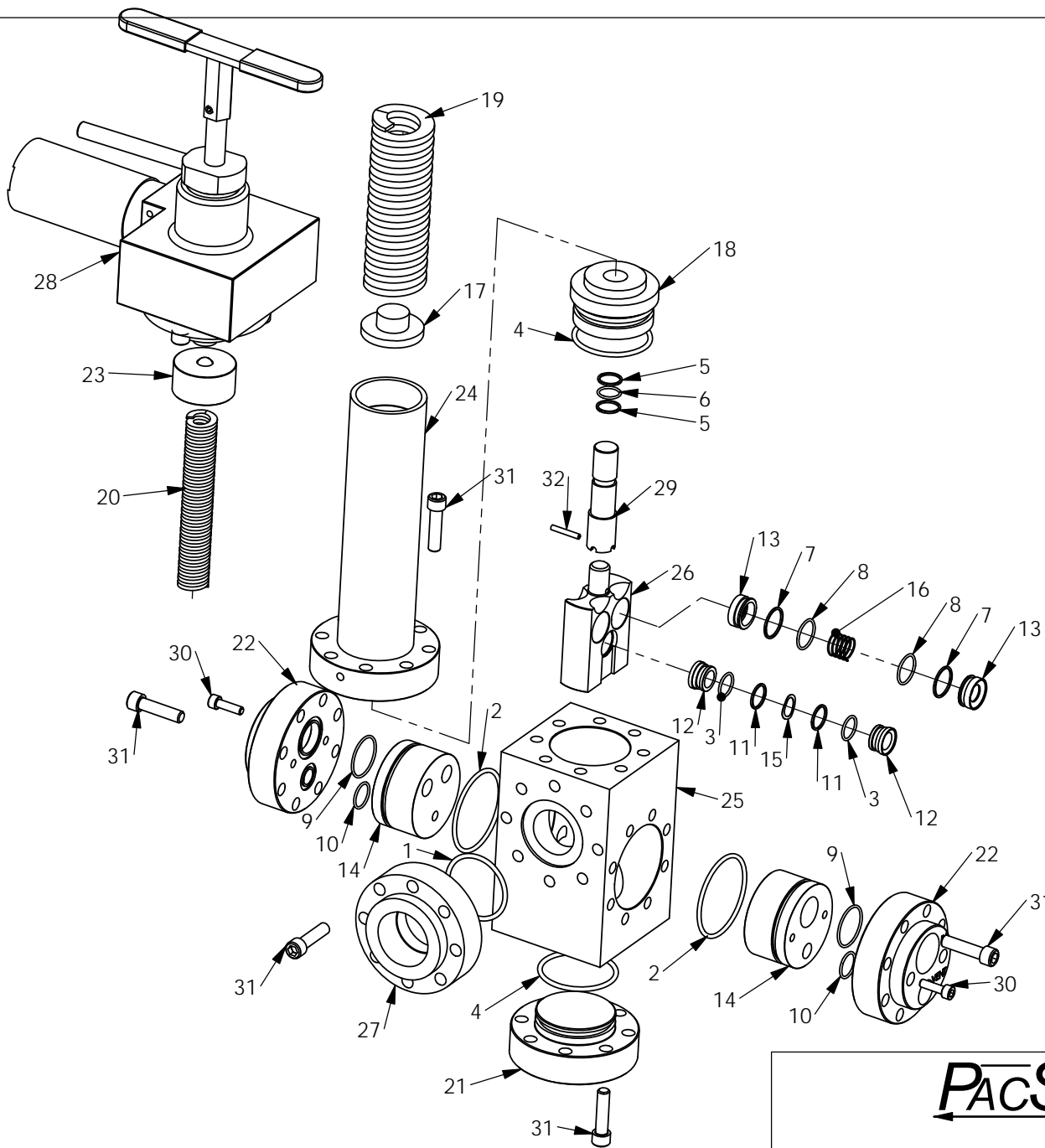
TEMPERATURE RATING: -30°F TO 180°F
WEIGHT: 75 LBS

- NOTE:**
1. TURN CLOCKWISE TO LOCK FOR HYDRAULIC OPERATION
 2. TURN COUNTER-CLOCKWISE TO UNLOCK FOR MANUAL OPERATION

PacSeal HYDRAULICS Inc.

VALVES, ACCUMULATORS, CONTROLS

<p>PROPRIETARY AND CONFIDENTIAL</p> <p>THE INFORMATION CONTAINED IN THIS DRAWING IS THE SOLE PROPERTY OF PacSeal Hydraulics. ANY REPRODUCTION IN PART OR AS A WHOLE WITHOUT THE WRITTEN PERMISSION OF PacSeal Hydraulics IS PROHIBITED.</p>	TITLE	SIZE	DWG. NO.	REV
	Regulator, KR-140 FSH, L.P.	A	40-1874	2
		SCALE: 1:6	SHEET 1 OF 2	



ITEM NO.	PART NUMBER	DESCRIPTION	QTY.
1	23-1126	O-Ring	1
2	23-1263	O-Ring	2
3	23-1293	O-Ring	2
4	23-1319	O-Ring	2
5	23-1320	Backup Ring	2
6	23-1321	O-Ring	1
7	23-1322	Backup Ring	4
8	23-1323	O-Ring	4
9	23-1325	O-Ring	2
10	23-1326	O-Ring	2
11	23-1329	Backup Ring	2
12	40-0013	Seal Ring, Vent, KR-75	2
13	40-0014	Seal Ring, Supply	4
14	40-0016	Flow Plate	2
15	40-0109	Wave Spring	1
16	40-0110	Spring	2
17	40-0134	Spring Plate	1
18	40-0186	Piston Guide	1
19	40-0189	Spring, Outer	1
20	40-0190	Spring, Inner	1
21	40-0197	Flange, Lower	1
22	40-0198	Flange, Main	2
23	40-0300	Spring Guide	1
24	40-0383	Ajstment Head	1
25	40-0950	Body, KR-140	1
26	40-1292	Seal Container	1
27	40-1384	Flange, Outlet	1
28	40-1641	Actuator, KR FSH L.P.	1
29	40-2875	Piston, 3/4" Dia - KR-140	1
30	50-0066	Bolt, SHCS	4
31	50-0069	Bolt, SHCS	40
32	50-0117	Roll Pin	1

PacSeal HYDRAULICS INC.

VALVES, ACCUMULATORS, CONTROLS

PROPRIETARY AND CONFIDENTIAL
 THE INFORMATION CONTAINED IN THIS DRAWING IS THE SOLE PROPERTY OF PacSeal Hydraulics. ANY REPRODUCTION IN PART OR AS A WHOLE WITHOUT THE WRITTEN PERMISSION OF PacSeal Hydraulics IS PROHIBITED.

TITLE
 Regulator, KR-140 FSH, L.P.

SIZE	DWG. NO.	REV
A	40-1874	2

SCALE: 1:5 SHEET 2 OF 2