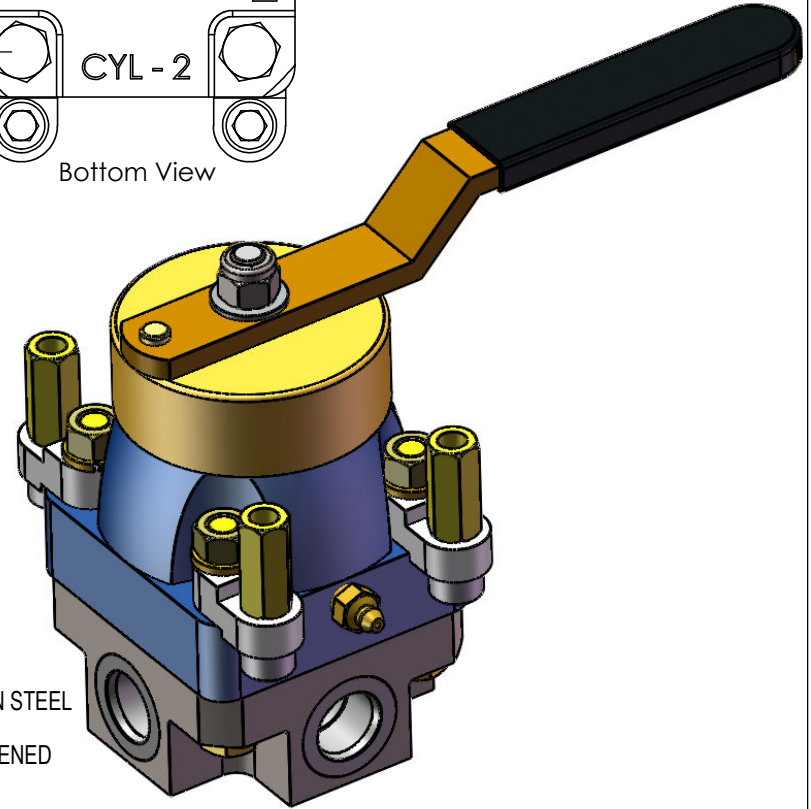


**MATERIAL:**

- SV BODY: MANGANESE BRONZE or 416 SS
- HOUSING: CARBON STEEL
- HANDLE, DETENT & SPACERS: PLATED CARBON STEEL
- SHAFT: 416 SS
- SHEARFLO SEALING COMPONENTS: 440c HARDENED
- O-RINGS: BUNA (NITRILE)
- BACKUPS: TEFLON



MODEL NO: **SV-50 4S3IPS1SN**  
 ROTOR: SELECTOR  
 ALL PORTS: 1/2" SAE  
 WORKING PRESSURE: 3000 PSI  
 Cv: 3.20  
 FLOW: 30 GPM  
 TEMP RATING: -30°-180°F

**PROPRIETARY AND CONFIDENTIAL**

THE INFORMATION CONTAINED IN THIS DRAWING IS THE SOLE PROPERTY OF PacSeal Hydraulics. ANY REPRODUCTION IN PART OR AS A WHOLE WITHOUT THE WRITTEN PERMISSION OF PacSeal Hydraulics IS PROHIBITED.

**PacSeal Hydraulics Inc.**

VALVES, ACCUMULATORS, CONTROLS

TITLE SV-50 Spring Centered Inline Ported - Panel Mount	SIZE	DWG. NO.	REV
	<b>A</b>	<b>40-1892-PM</b>	<b>2</b>
SCALE: 1:2	WEIGHT: 11	SHEET 1 OF 1	