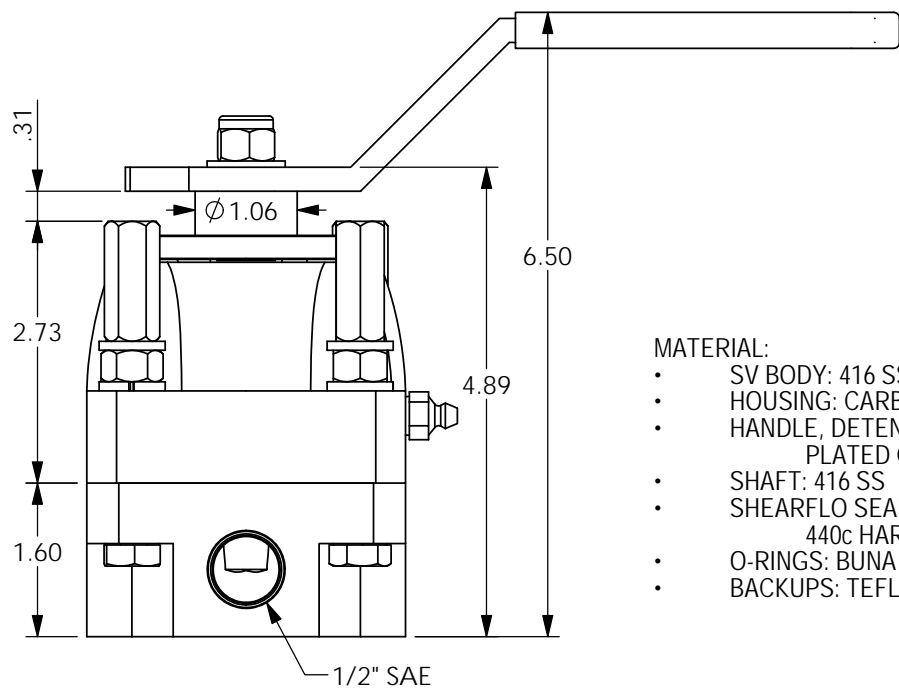
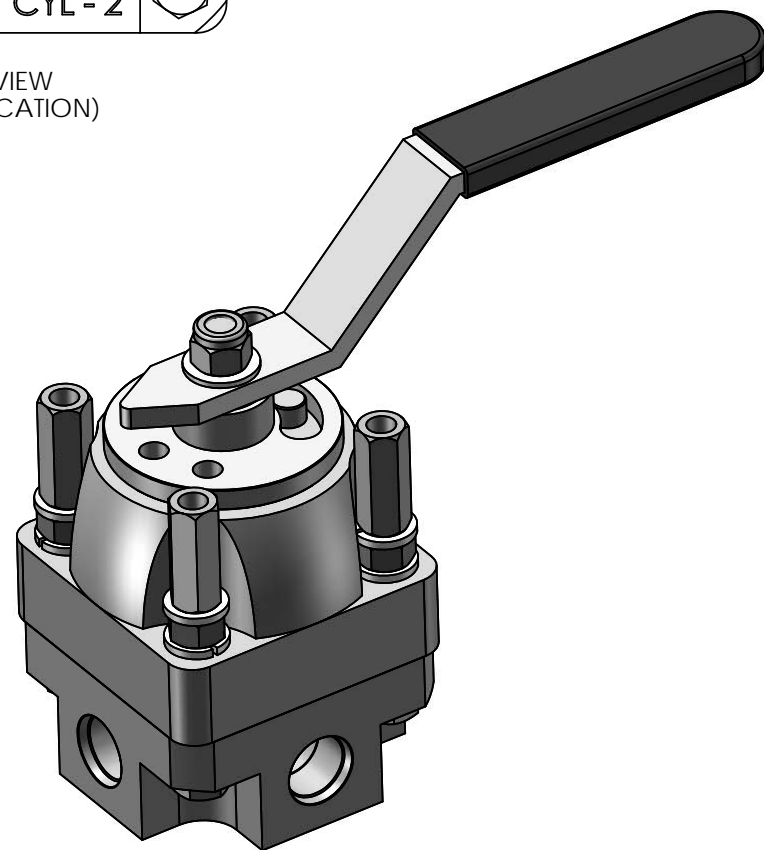


BOTTOM VIEW
(PORT LOCATION)



MATERIAL:

- SV BODY: 416 SS
- HOUSING: CARBON STEEL
- HANDLE, DETENT & SPACERS:
PLATED CARBON STEEL
- SHAFT: 416 SS
- SHEARFLO SEALING COMPONENTS:
440c HARDENED
- O-RINGS: BUNA (NITRILE)
- BACKUPS: TEFLON



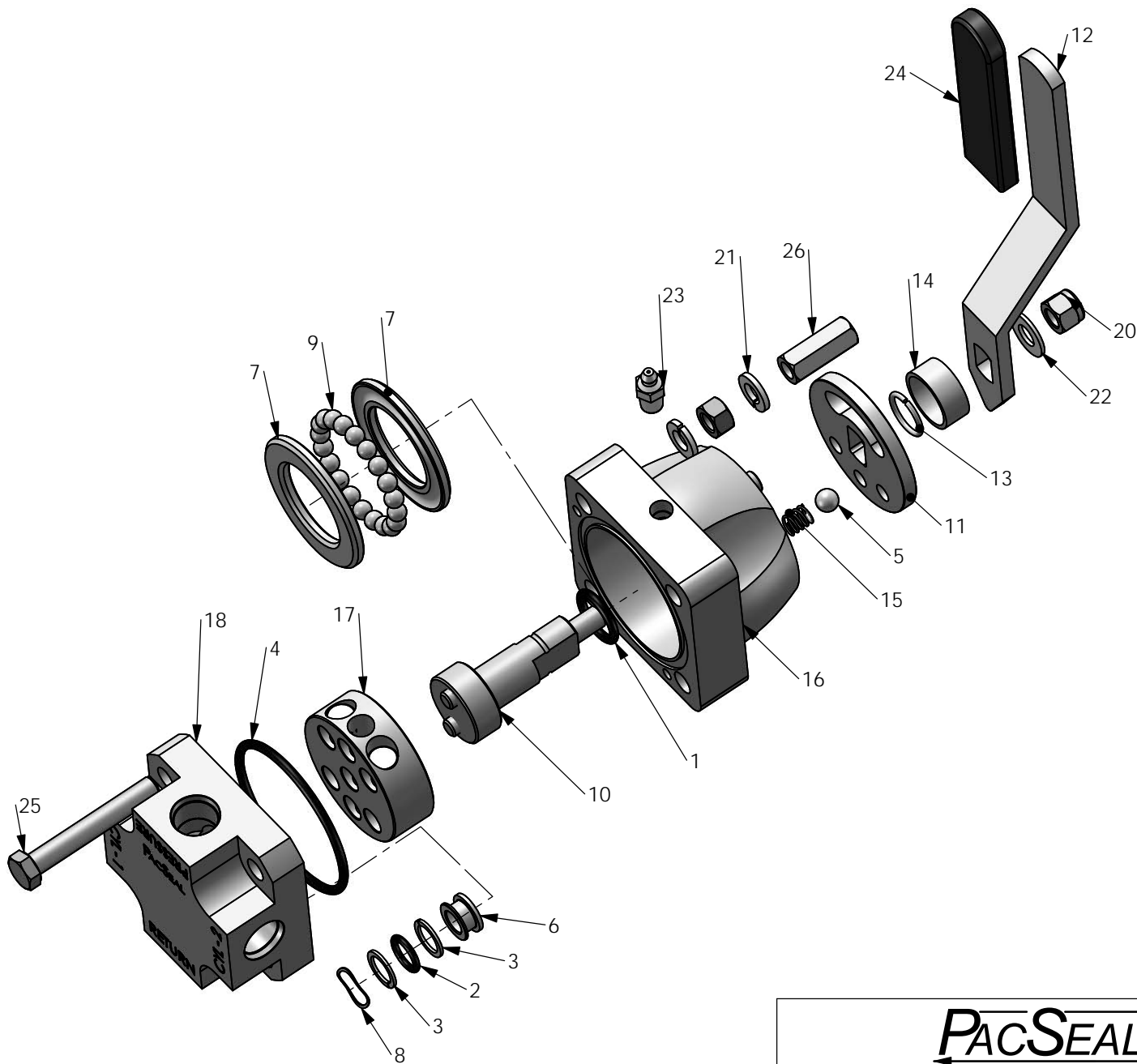
MODEL NO: SV 50-4S3IP01MN
 ROTOR: OPEN CENTER
 ALL PORTS: 1/2" SAE
 WORKING PRESSURE: 3000 PSI
 RETURN PORT: 250 PSI MAX
 Cv: 3.2
 FLOW: 30 GPM
 TEMP RATING: -30° TO 180°F

PROPRIETARY AND CONFIDENTIAL
 THE INFORMATION CONTAINED IN THIS DRAWING IS THE SOLE
 PROPERTY OF PacSeal Hydraulics.
 ANY REPRODUCTION IN PART OR AS A WHOLE WITHOUT THE
 WRITTEN PERMISSION OF PacSeal Hydraulics IS PROHIBITED.

PacSeal Hydraulics Inc.

VALVES, ACCUMULATORS, CONTROLS

TITLE SV-50 Open Center Inline Ported	SIZE	DWG. NO.	REV
	A	40-1923-PM	2
SCALE: 1:2	WEIGHT: 9	SHEET 1 OF 2	



ITEM NO.	PART NUMBER	DESCRIPTION	QTY.
1	23-1125	O-Ring	1
2	23-1337	O-Ring	3
3	23-1414	Backup Ring	6
4	23-1415	O-Ring	1
5	40-0049	Ball, Bearing	1
6	40-0219	Seal Ring, SV-50	3
7	40-0227	Thrust Washer, SV-50	2
8	40-0237	Wave Spring	3
9	40-0259	Ball, Bearing	20
10	40-0275	Shaft, SV-50	1
11	40-0277	Disc, Detent SV-50	1
12	40-0280	Handle, SV-50	1
13	40-0289	Retaining Ring	1
14	40-0292	Spacer, Handle	1
15	40-0296	Spring	1
16	40-0353	Housing, SV-50	1
17	40-0387	Rotor, SV-50 Open Center	1
18	40-2237	Body, SV-50 #8 SAE Inline Ported	1
19	50-0078	Hex Nut	4
20	50-0092	Locknut	1
21	50-0103	Lock Washer	8
22	50-0107	Washer, Shaft	1
23	50-0176	Grease Fitting	1
24	50-0237	Grip, Handle	1
25	50-0267	Bolt	4
26	50-0461	Nut, Panel Mount	4

PACSEAL HYDRAULICS INC.

VALVES, ACCUMULATORS, CONTROLS

PROPRIETARY AND CONFIDENTIAL
 THE INFORMATION CONTAINED IN THIS DRAWING IS THE SOLE PROPERTY OF PacSeal Hydraulics. ANY REPRODUCTION IN PART OR AS A WHOLE WITHOUT THE WRITTEN PERMISSION OF PacSeal Hydraulics IS PROHIBITED.

TITLE
**SV-50 Open Center
 Inline Ported**

SIZE DWG. NO. REV
A 40-1923-PM 2

SCALE: 2:5 WEIGHT: 9 SHEET 2 OF 2