

MATERIAL:

- SV BODY: 416 SS
- HOUSING: CARBON STEEL
- HANDLE, DETENT & SPACERS: PLATED CARBON STEEL
- SHAFT: 416 SS
- SHEARFLO SEALING COMPONENTS: 440c HARDENED
- O-RINGS: BUNA (NITRILE)
- BACKUPS: TEFLON

MODEL NO: **SV-25 2N3BSM2MN**
 ROTOR: Manipulator
 ALL PORTS: 1/4" NPT (Back Ported)
 WORKING PRESSURE: 3000 PSI
 Cv: .95
 Flow (GPM): 10
 Temperature Rating: -30° TO 180°F

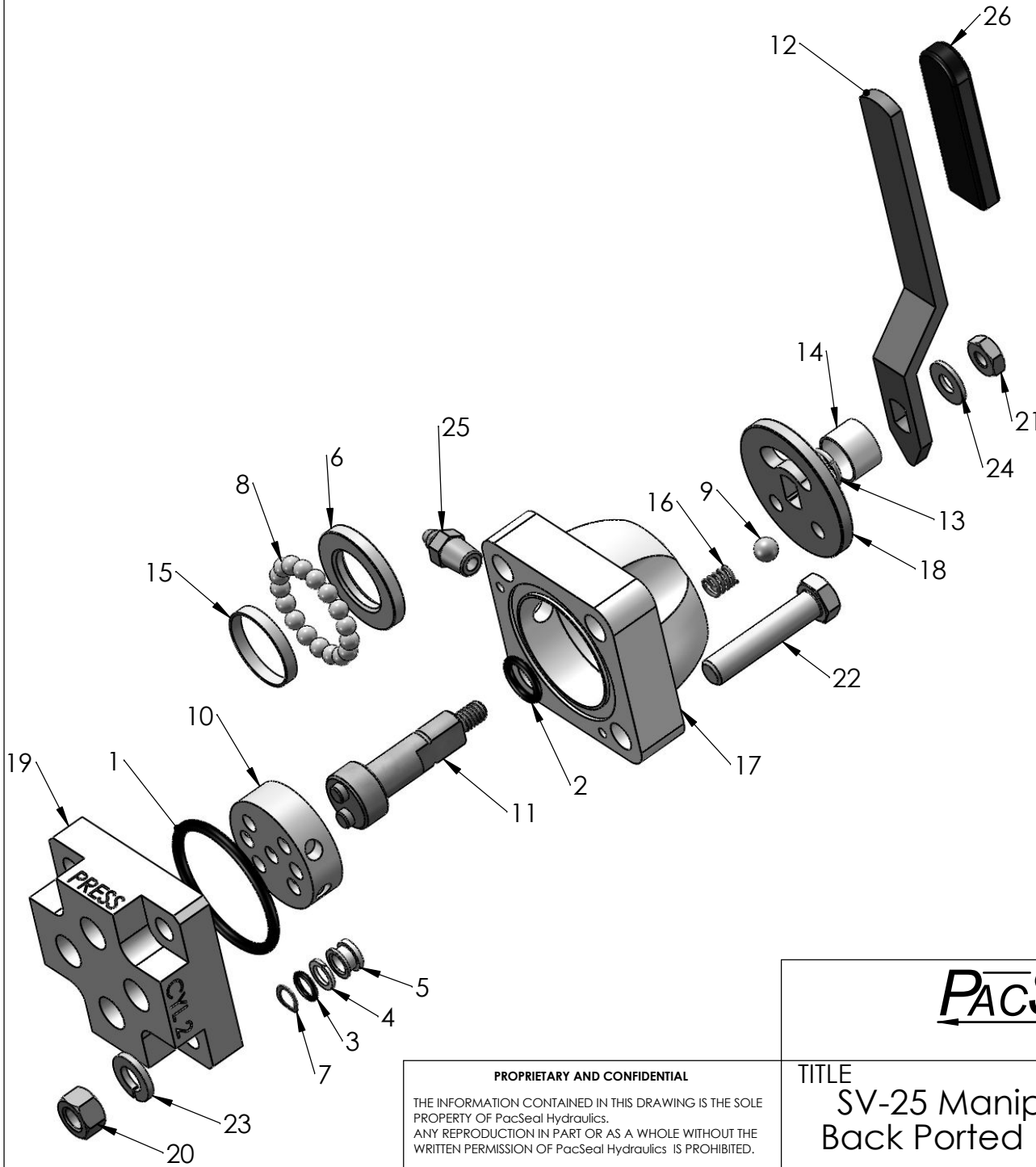
PacSeal Hydraulics Inc.

VALVES, ACCUMULATORS, CONTROLS

PROPRIETARY AND CONFIDENTIAL
 THE INFORMATION CONTAINED IN THIS DRAWING IS THE SOLE PROPERTY OF PacSeal Hydraulics. ANY REPRODUCTION IN PART OR AS A WHOLE WITHOUT THE WRITTEN PERMISSION OF PacSeal Hydraulics IS PROHIBITED.

TITLE
**SV-25 Manipulator
 Back Ported 1/4 NPT**

SIZE A	DWG. NO. 40-1938	REV 1
SCALE: 1:2	WEIGHT: 4.4	SHEET 1 OF 2



ITEM NO.	PART NUMBER	DESCRIPTION	QTY.
1	23-1330	O-Ring	1
2	23-1337	O-Ring	1
3	23-1338	O-Ring	3
4	23-1339	Backup Ring	3
5	40-0001	Seal Ring	3
6	40-0003	Thrust Washer	1
7	40-0028	Wave Spring	3
8	40-0048	Ball, Bearing	17
9	40-0259	Ball, Bearing	1
10	40-0263	Rotor, Manipulator	1
11	40-0274	Shaft, SV-25	1
12	40-0279	Handle, SV-25	1
13	40-0290	Retaining Ring	1
14	40-0293	Spacer Ring	1
15	40-0294	SV-25 Ball Retainer	1
16	40-0297	Spring	1
17	40-0352	Housing, SV-25	1
18	40-0393	Detent Disc	1
19	40-0988	Body, 1/4" NPT Back Port	1
20	50-0078	Hex Nut	4
21	50-0091	Locknut, Shaft	1
22	50-0097	Bolt	4
23	50-0103	Lock Washer	4
24	50-0106	Washer, Shaft	1
25	50-0176	Grease Fitting	1
26	50-0238	Grip, Handle	1

PACSEAL HYDRAULICS INC.

VALVES, ACCUMULATORS, CONTROLS

PROPRIETARY AND CONFIDENTIAL
 THE INFORMATION CONTAINED IN THIS DRAWING IS THE SOLE PROPERTY OF PacSeal Hydraulics. ANY REPRODUCTION IN PART OR AS A WHOLE WITHOUT THE WRITTEN PERMISSION OF PacSeal Hydraulics IS PROHIBITED.

TITLE
**SV-25 Manipulator
 Back Ported 1/4 NPT**

SIZE A	DWG. NO. 40-1938	REV 1
------------------	----------------------------	-----------------

SCALE: 1:2	WEIGHT: 4.4	SHEET 2 OF 2
------------	-------------	--------------