

MODEL No. KR-75M 3RFSA
MAX INLET: 3000 PSI
REGULATED OUTLET: 500-2000 PSI
SPECIFIED FLOW: 75 GPM
Cv Outlet: 9.40
Cv Vent: 1.40
SUPPLY PORT: 1" NPT
REGULATED OUTLET: 1" NPT
VENT PORT: 1/2" NPT
OPERATOR: FAILSAFE AIR OPERATOR

MATERIAL:
 • BODY: STAINLESS STEEL
 • FLANGES & OPERATORS: CARBON STEEL
 • INTERNAL: STAINLESS STEEL
 • O-RINGS: BUNA (NITRILE)
 • BACKUPS: TEFLON

NOTE:
 1. TURN CLOCKWISE TO LOCK FOR FAILSAFE AIR OPERATION
 2. TURN COUNTER-CLOCKWISE TO UNLOCK FOR MANUAL OPERATION

TEMPERATURE RATING: -30°F TO 180°F
EST. WEIGHT: 90 LBS

PROPRIETARY AND CONFIDENTIAL

THE INFORMATION CONTAINED IN THIS DRAWING IS THE SOLE PROPERTY OF PacSeal Hydraulics. ANY REPRODUCTION IN PART OR AS A WHOLE WITHOUT THE WRITTEN PERMISSION OF PacSeal Hydraulics IS PROHIBITED.

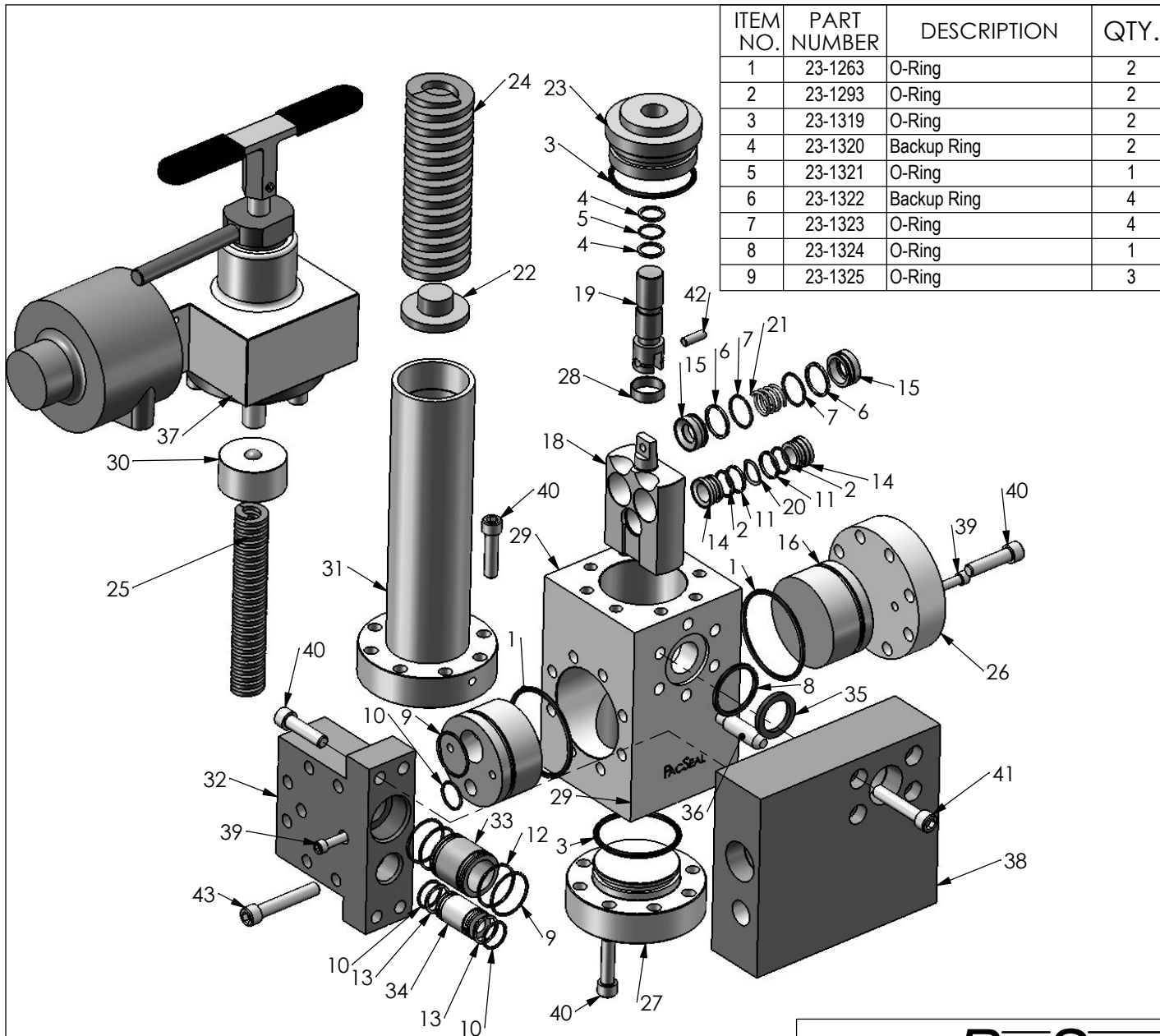
TITLE
 Regulator, KR-75M
 FSA 1" NPT SPM

PacSeal Hydraulics Inc.

VALVES, ACCUMULATORS, CONTROLS

SIZE	DWG. NO.	REV
A	40-2005	1

SCALE: 1:5 | EST.WEIGHT: 94 | SHEET 1 OF 2



ITEM NO.	PART NUMBER	DESCRIPTION	QTY.
1	23-1263	O-Ring	2
2	23-1293	O-Ring	2
3	23-1319	O-Ring	2
4	23-1320	Backup Ring	2
5	23-1321	O-Ring	1
6	23-1322	Backup Ring	4
7	23-1323	O-Ring	4
8	23-1324	O-Ring	1
9	23-1325	O-Ring	3

ITEM NO.	PART NUMBER	DESCRIPTION	QTY.
10	23-1326	O-Ring	3
11	23-1329	Backup Ring	2
12	23-1433	Backup Ring	2
13	23-1509	Backup Ring	2
14	40-0013	Seal Ring, Vent, KR-75	2
15	40-0014	Seal Ring, Supply	4
16	40-0015	Flow Plate, Blind	1
17	40-0016	Flow Plate	1
18	40-0106	Seal Container	1
19	40-0107	Piston	1
20	40-0109	Wave Spring	1
21	40-0110	Compression Spring	2
22	40-0134	Spring Plate	1
23	40-0186	Plunger Guide, KR-75	1
24	40-0189	Spring, Outer	1
25	40-0190	Spring, Inner	1
26	40-0195	Flange, Blind	1
27	40-0197	Flange, Lower	1
28	40-0199	Pin, Retainer	1
29	40-0200	Body, KR-75	1
30	40-0300	Spring Guide	1
31	40-0383	Ajstment Head	1
32	40-1255	Left Flange, Sub Plate Mount	1
33	40-1256	Seal Sub	1
34	40-1257	Seal Sub	1
35	40-1279	Spacer Ring	1
36	40-1293	Locating Pin	1
37	40-1649	Actuator, KR FSA H.P.	1
38	40-2151	Subplate, KR-75	1
39	50-0066	SHCS	4
40	50-0069	Bolt, SHCS	28
41	50-0080	SHCS	4
42	50-0087	Dowel Pin	1
43	50-0338	SHCS	6

PacSeal HYDRAULICS INC.

VALVES, ACCUMULATORS, CONTROLS

PROPRIETARY AND CONFIDENTIAL
 THE INFORMATION CONTAINED IN THIS DRAWING IS THE SOLE PROPERTY OF PacSeal Hydraulics. ANY REPRODUCTION IN PART OR AS A WHOLE WITHOUT THE WRITTEN PERMISSION OF PacSeal Hydraulics IS PROHIBITED.

TITLE
**Regulator, KR-75M FSA
 1" NPT SPM**

SIZE A	DWG. NO. 40-2005	REV 1
SCALE: 2:9		SHEET 2 OF 2