

- MATERIAL:**
- SV BODY: 416 SS
 - HOUSING: CARBON STEEL
 - HANDLE, DETENT & SPACERS: PLATED CARBON STEEL
 - SHAFT: 416 SS
 - SHEARFLO SEALING COMPONENTS: 440c HARDENED
 - O-RINGS: BUNA (NITRILE)
 - BACKUPS: TEFLON

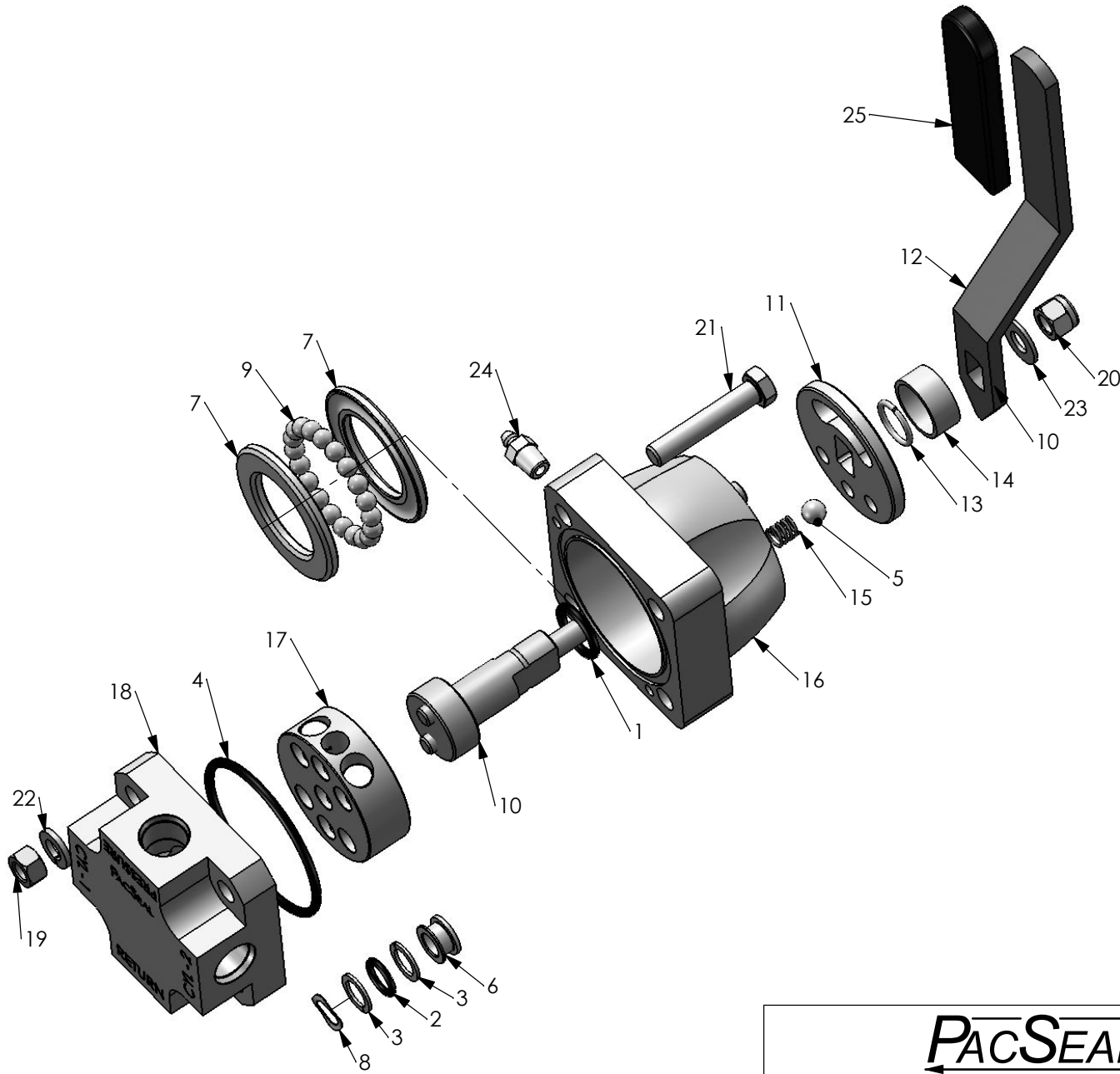
MODEL NO: **SV 50-4N6ISO1MN**
 ROTOR: OPEN CENTER
 ALL PORTS: 1/2" NPT
 WORKING PRESSURE: 6000 PSI
 RETURN PORT: 250 PSI MAX
 Cv: 3.2
 FLOW: 30 GPM
 TEMP RATING: -30° TO 180°F

PROPRIETARY AND CONFIDENTIAL
 THE INFORMATION CONTAINED IN THIS DRAWING IS THE SOLE PROPERTY OF PacSeal Hydraulics. ANY REPRODUCTION IN PART OR AS A WHOLE WITHOUT THE WRITTEN PERMISSION OF PacSeal Hydraulics IS PROHIBITED.

PacSeal Hydraulics Inc.

VALVES, ACCUMULATORS, CONTROLS

TITLE SV-50/6K Open Center, Inline Ported	SIZE A	DWG. NO. 40-2055	REV 1
	SCALE: 1:2	WEIGHT: 9	SHEET 1 OF 2



ITEM NO.	PART NUMBER	DESCRIPTION	QTY.
1	23-1125	O-Ring	1
2	23-1337	O-Ring	3
3	23-1414	Backup Ring	6
4	23-1415	O-Ring	1
5	40-0049	Ball, Bearing	1
6	40-0219	Seal Ring, SV-50	3
7	40-0227	Thrust Washer, SV-50	2
8	40-0237	Wave Spring	3
9	40-0259	Ball, Bearing	20
10	40-0275	Shaft, SV-50	1
11	40-0277	Disc, Detent SV-50	1
12	40-0280	Handle, SV-50	1
13	40-0289	Retaining Ring	1
14	40-0292	Spacer, Handle	1
15	40-0296	Spring	1
16	40-0353	Housing, SV-50	1
17	40-0387	Rotor, Open Center, SV-50	1
18	40-1425	Body, SV-50	1
19	50-0078	Hex Nut	4
20	50-0092	Locknut	1
21	50-0098	Bolt	4
22	50-0103	Lock Washer	4
23	50-0107	Washer, Shaft	1
24	50-0176	Grease Fitting	1
25	50-0237	Grip, Handle	1

PACSEAL HYDRAULICS INC.

VALVES, ACCUMULATORS, CONTROLS

PROPRIETARY AND CONFIDENTIAL
 THE INFORMATION CONTAINED IN THIS DRAWING IS THE SOLE PROPERTY OF PacSeal Hydraulics. ANY REPRODUCTION IN PART OR AS A WHOLE WITHOUT THE WRITTEN PERMISSION OF PacSeal Hydraulics IS PROHIBITED.

TITLE	SIZE	DWG. NO.	REV
SV-50/6K Open Center, Inline Ported	A	40-2055	1
	SCALE: 2:5	WEIGHT: 9	SHEET 2 OF 2