

13.40

1" NPT
OUTLET

5.68

7.31

Ø 13.13

3/8-16UN
x .50 Dp.

3.00

3.31

2.38

.50

A

A

Model No.: KR-75 N5VA

MAX INLET: 5000 PSI

REGULATED OUTLET: 500-4500 PSI

SPECIFIED FLOW: 75 GPM

Cv Outlet: 9.4

Cv Vent: 1.40

SUPPLY PORT: 1" NPT

REGULATED OUTLET: 1" NPT

VENT PORT : 1/2" NPT

OPERATOR: AIR DIAPHRAGM; 120 PSI AIR PILOT

TEMPERATURE RATING: -30°F TO 180°F

WEIGHT: 65 LBS

MATERIAL:

- BODY: STAINLESS STEEL
- FLANGES & OPERATORS: CARBON STEEL
- INTERNAL: STAINLESS STEEL
- O-RINGS: BUNA (NITRILE)
- BACKUPS:TEFLON

7.31
REF

4.19

2.82

1" NPT SUPPLY

1/2" NPT VENT

VIEW A-A (Inlet)

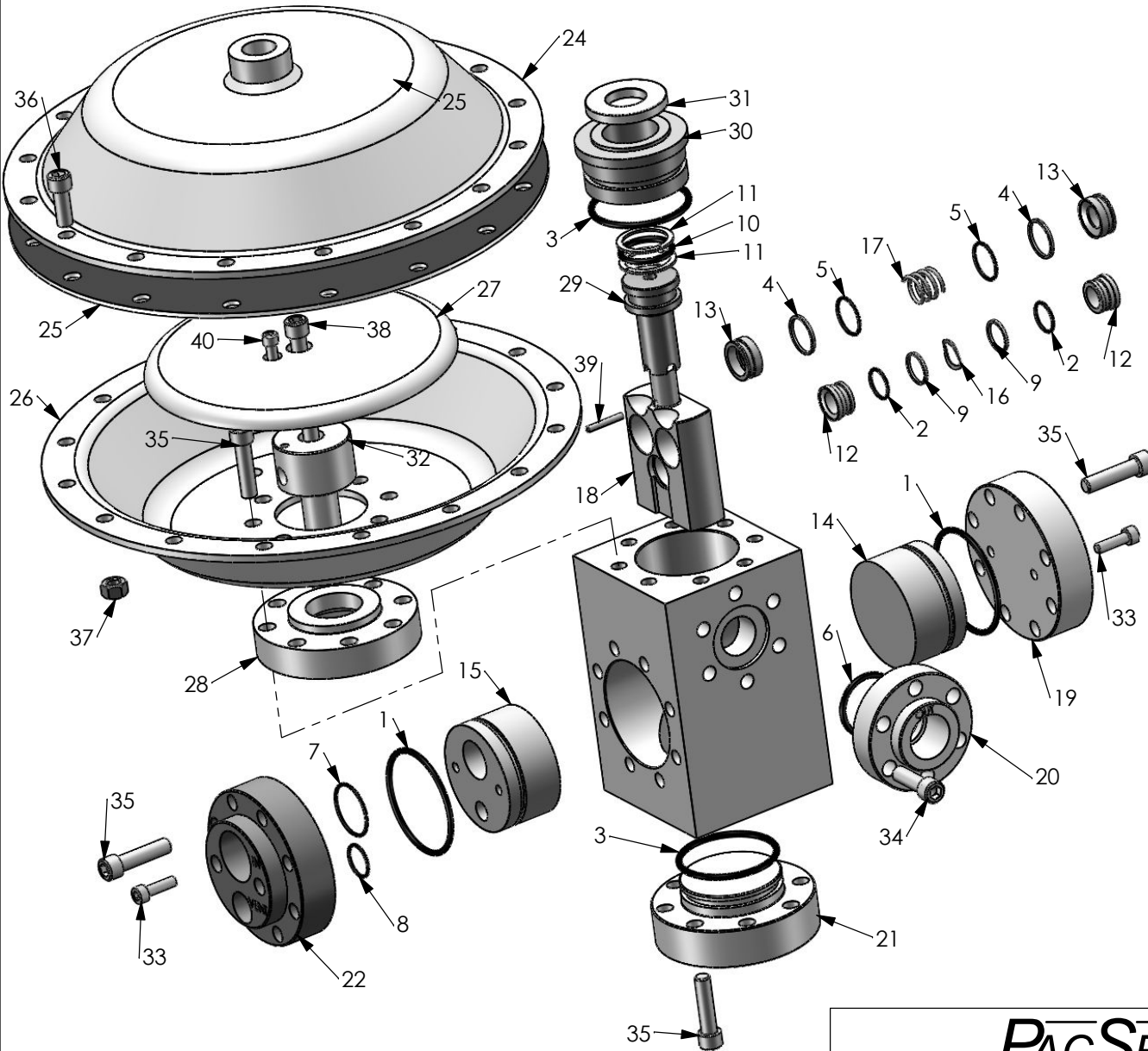
PacSeal HYDRAULICS INC.

VALVES, ACCUMULATORS, CONTROLS

PROPRIETARY AND CONFIDENTIAL
THE INFORMATION CONTAINED IN THIS DRAWING IS THE SOLE PROPERTY OF PacSeal Hydraulics. ANY REPRODUCTION IN PART OR AS A WHOLE WITHOUT THE WRITTEN PERMISSION OF PacSeal Hydraulics IS PROHIBITED.

TITLE
KR-75 N5VA Air
Diaphragm Operator

SIZE A	DWG. NO. 40-2131	REV 1
SCALE: 1:4	WEIGHT: 65	SHEET 1 OF 2



ITEM NO.	PART NUMBER	DESCRIPTION	QTY
1	23-1263	O-Ring	2
2	23-1293	O-Ring	2
3	23-1319	O-Ring	2
4	23-1322	Backup Ring	4
5	23-1323	O-Ring	4
6	23-1324	O-Ring	1
7	23-1325	O-Ring	1
8	23-1326	O-Ring	1
9	23-1329	Backup Ring	2
10	23-1531	O-Ring	1
11	23-1532	Backup Ring	2
12	40-0013	Seal Ring, Vent, KR-75	2
13	40-0014	Seal Ring, Supply	4
14	40-0015	Flow Plate, Blind	1
15	40-0016	Flow Plate	1
16	40-0109	Wave Spring	1
17	40-0110	Compression Spring	2
18	40-0182	Seal Container	1
19	40-0195	Flange, Blind	1
20	40-0196	Flange, Outlet	1
21	40-0197	Flange, Lower	1
22	40-0198	Flange, Main	1
23	40-0200	Body, KR-75	1
24	40-0308	Cover, Diaphragm	1
25	40-0309	Diaphragm	1
26	40-0310	Cover, Diaphragm	1
27	40-0311	Diaphragm Plate	1
28	40-1471	Adapter Flange	1
29	40-1472	Plunger, KR-75	1
30	40-1473	Plunger Guide, KR-75	1
31	40-1474	Spacer	1
32	40-1475	Spacer, KR-75 Air	1
33	50-0066	Bolt, SHCS	4
34	50-0068	Bolt, SHCS	6
35	50-0069	Bolt, SHCS	32
36	50-0072	SHCS	16
37	50-0078	Hex Nut	16
38	50-0079	SHCS	1
39	50-0117	Roll Pin	1
40	50-0228	SHCS	1

PacSeal Hydraulics Inc.

VALVES, ACCUMULATORS, CONTROLS

PROPRIETARY AND CONFIDENTIAL
 THE INFORMATION CONTAINED IN THIS DRAWING IS THE SOLE PROPERTY OF PacSeal Hydraulics. ANY REPRODUCTION IN PART OR AS A WHOLE WITHOUT THE WRITTEN PERMISSION OF PacSeal Hydraulics IS PROHIBITED.

TITLE
KR-75 N5VA Air Diaphragm Operator

SIZE	DWG. NO.	REV
A	40-2131	1
SCALE: 1:12		WEIGHT: 65