

MODEL No. KR-12N3EFSA

MAX INLET: 3000 PSI
 REGULATED OUTLET: 300-1500 PSI
 SPECIFIED FLOW: 12 GPM
 Cv Outlet: .23
 Cv Vent: .23
 SUPPLY PORT: 1/2" NPT
 REGULATED OUTLET: 1/2" NPT
 VENT PORT: 1/2" NPT
 OPERATOR: FAILSAFE AIR MOTOR

MATERIAL:

- BODY: CARBON STEEL
- FLANGES & OPERATORS: CARBON STEEL
- INTERNAL: STAINLESS STEEL
- O-RINGS: BUNA (NITRILE)
- BACKUPS: TEFLON

NOTE:

1. TURN CLOCKWISE TO LOCK FOR FAILSAFE AIR OPERATION
2. TURN COUNTER-CLOCKWISE TO UNLOCK FOR MANUAL OPERATION

TEMPERATURE RATING: -30° TO 180°F
 WEIGHT: 50 LBS

PROPRIETARY AND CONFIDENTIAL

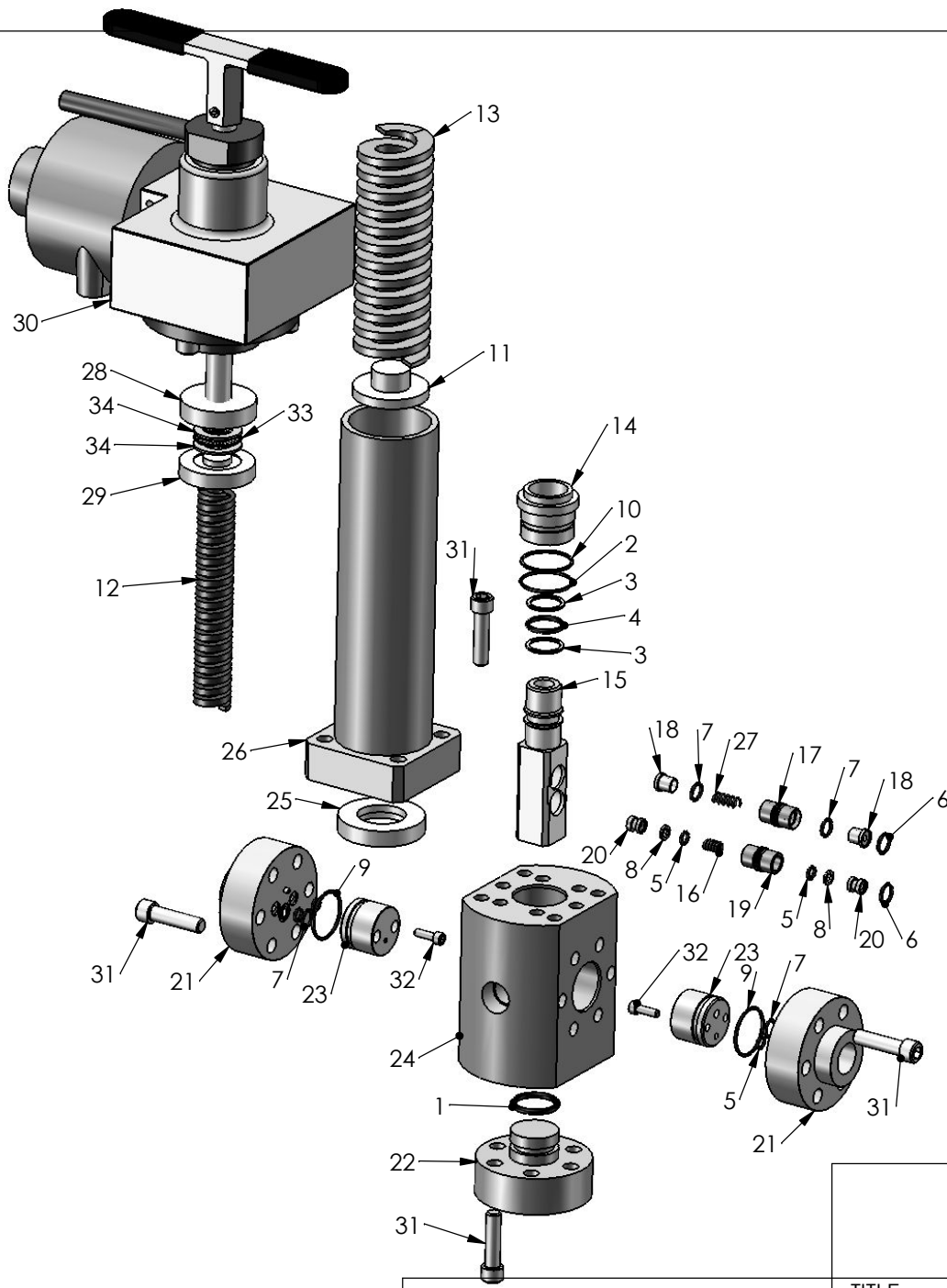
THE INFORMATION CONTAINED IN THIS DRAWING IS THE SOLE PROPERTY OF PacSeal Hydraulics. ANY REPRODUCTION IN PART OR AS A WHOLE WITHOUT THE WRITTEN PERMISSION OF PacSeal Hydraulics IS PROHIBITED.

TITLE
 Regulator, KR-12 w/
 FailSafeAir Operator

SIZE A	DWG. NO. 40-2150	REV 1
SCALE: 1:4	WEIGHT: 52	SHEET 1 OF 2

PacSeal Hydraulics Inc.

VALVES, ACCUMULATORS, CONTROLS



ITEM NO.	PART NUMBER	DESCRIPTION	QTY.
1	23-1141	O-Ring	1
2	23-1325	O-Ring	1
3	23-1331	Backup Ring	2
4	23-1332	O-Ring	1
5	23-1335	O-Ring	6
6	23-1343	O-Ring	2
7	23-1344	O-Ring	4
8	23-1345	Backup Ring	2
9	23-1400	O-Ring	2
10	23-1433	Backup Ring	1
11	40-0134	Spring Plate	1
12	40-0144	Spring, Inner	1
13	40-0189	Spring, Outer	1
14	40-0330	Piston Guide	1
15	40-0331	Seal Container	1
16	40-0332	Spring, Supply	1
17	40-0333	Seal Cage, Vent	1
18	40-0334	Seal Ring, Vent	2
19	40-0335	Seal Cage, Inlet	1
20	40-0336	Seal Ring, Supply	2
21	40-0337	Flange	2
22	40-0339	Flange, Lower	1
23	40-0340	Flow Plate, Supply & Vent KR-12	2
24	40-0341	Body	1
25	40-0345	Adapter	1
26	40-0388	Adjustment Head	1
27	40-0863	Spring, Vent	1
28	40-1161	Upper Bearing Body	1
29	40-1163	Lower Bearing Body	1
30	40-1564	Actuator, KR FSA L.P.	1
31	50-0069	Bolt, SHCS	22
32	50-0084	Bolt, SHCS	4
33	50-0157B	Bearing, NTA-1220	1
34	50-0157T	Thrust Washer, TRB-1220	2

PACSEAL HYDRAULICS INC.

VALVES, ACCUMULATORS, CONTROLS

PROPRIETARY AND CONFIDENTIAL
 THE INFORMATION CONTAINED IN THIS DRAWING IS THE SOLE PROPERTY OF PacSeal Hydraulics. ANY REPRODUCTION IN PART OR AS A WHOLE WITHOUT THE WRITTEN PERMISSION OF PacSeal Hydraulics IS PROHIBITED.

TITLE
**Regulator, KR-12 w/
 FailSafeAir Operator**

SIZE	DWG. NO.	REV
A	40-2150	1
SCALE: 1:4	WEIGHT: 52	SHEET 2 OF 2