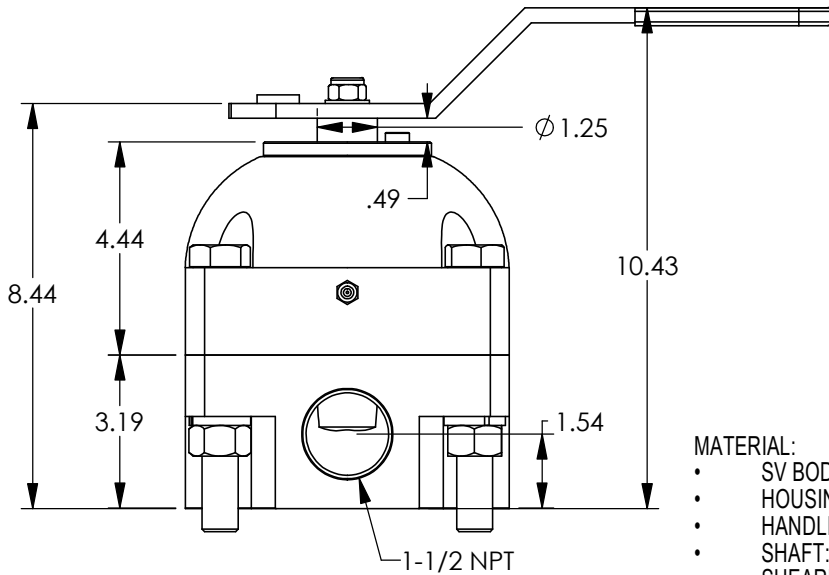
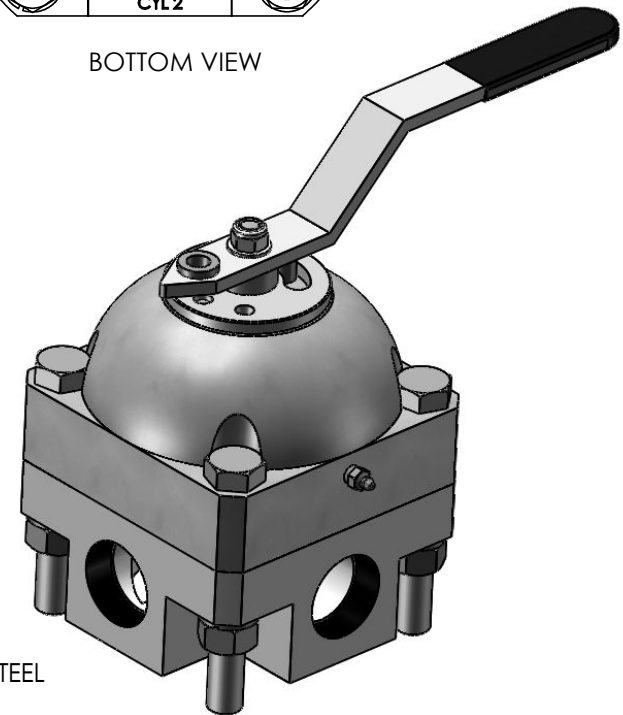


BOTTOM VIEW



MATERIAL:

- SV BODY: 416 SS
- HOUSING: CARBON STEEL
- HANDLE, DETENT & SPACERS: PLATED CARBON STEEL
- SHAFT: 416 SS
- SHEARFLO SEALING COMPONENTS: 440c HARDENED
- O-RINGS: BUNA (NITRILE)
- BACKUPS: TEFLON



MODEL NO: **SV-150 12N3ILS1RN**
 ROTOR: Selector
 ALL PORTS: 1-1/2" NPT
 WORKING PRESSURE: 3000 PSI
 RETURN PORT: 250 PSI MAX
 Cv: 21.0
 FLOW: 180 (GPM)
 TEMP RATING: -30° TO 180°F

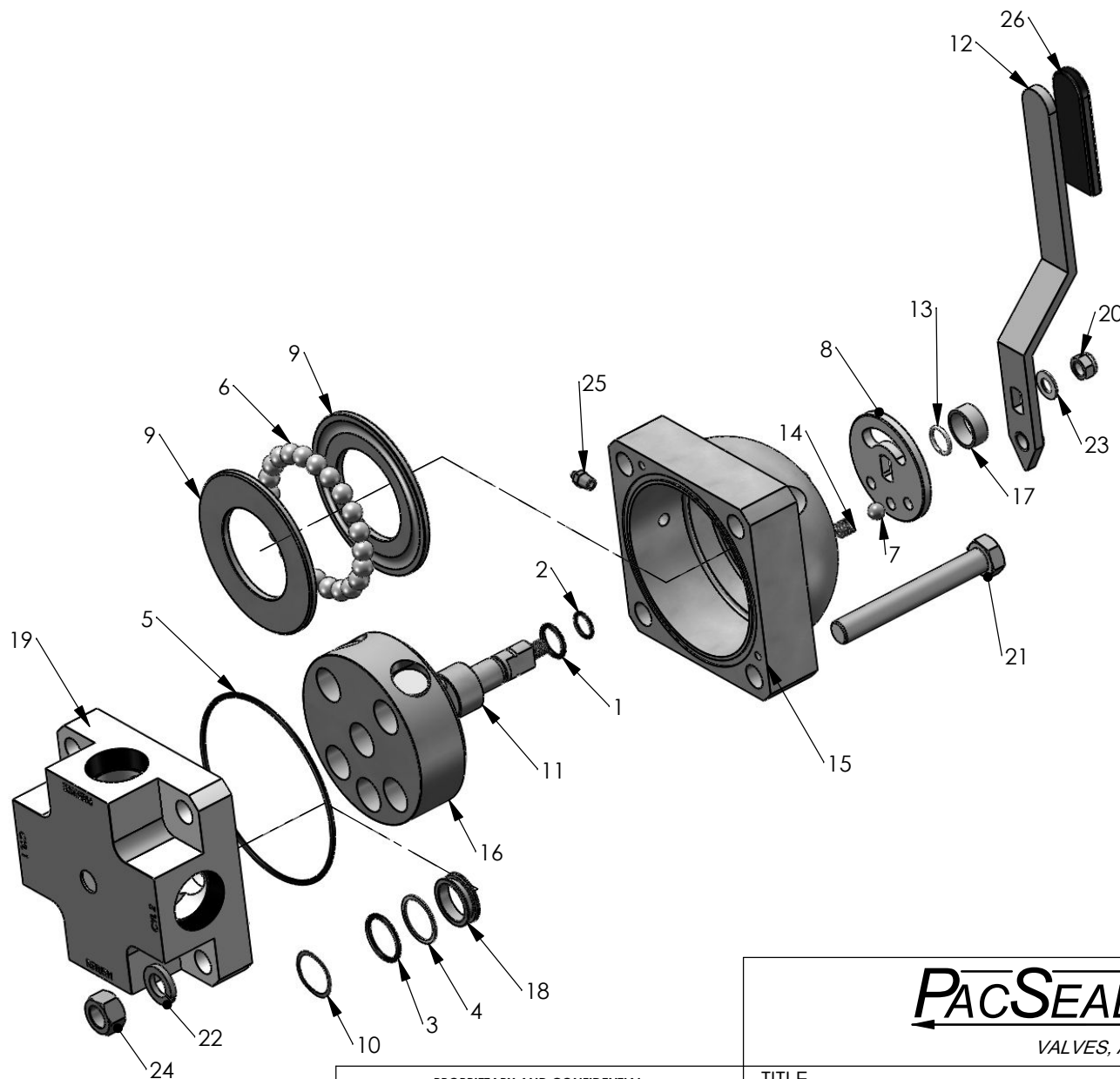
PROPRIETARY AND CONFIDENTIAL

THE INFORMATION CONTAINED IN THIS DRAWING IS THE SOLE PROPERTY OF PacSeal Hydraulics. ANY REPRODUCTION IN PART OR AS A WHOLE WITHOUT THE WRITTEN PERMISSION OF PacSeal Hydraulics IS PROHIBITED.

PACSEAL HYDRAULICS INC.

VALVES, ACCUMULATORS, CONTROLS

TITLE SV-150 Selector, Inline Ported	SIZE A	DWG. NO. 40-2207	REV 2
	SCALE: 1:4	WEIGHT: 63	SHEET 1 OF 2



ITEM NO.	PART NUMBER	DESCRIPTION	QTY.
1	23-1122	O-Ring	1
2	23-1352	O-Ring	1
3	23-1417	O-ring	3
4	23-1418	Backup Ring	3
5	23-1419	O-Ring	1
6	40-0092	Ball, Bearing	22
7	40-0174	Ball, Detent	1
8	40-0180	Detent Disc	1
9	40-0226	Thrust Washer	2
10	40-0239	Wave Spring	3
11	40-0276	Shaft	1
12	40-0284	Handle, Remote	1
13	40-0288	Retaining Ring	1
14	40-0295	Spring	1
15	40-0354	Housing	1
16	40-0534	Rotor, Selector	1
17	40-0773	Spacer, Handle	1
18	40-2203	Seal Ring	3
19	40-2206	Body, SV-150	1
20	50-0093	Nut, Shaft	1
21	50-0102	Bolt	4
22	50-0105	Lock Washer	4
23	50-0108	Washer, Shaft	1
24	50-0111	Hex Nut	4
25	50-0176	Grease Fitting	1
26	50-0236	Grip, Handle	1

PacSeal HYDRAULICS INC.

VALVES, ACCUMULATORS, CONTROLS

PROPRIETARY AND CONFIDENTIAL
 THE INFORMATION CONTAINED IN THIS DRAWING IS THE SOLE PROPERTY OF PacSeal Hydraulics. ANY REPRODUCTION IN PART OR AS A WHOLE WITHOUT THE WRITTEN PERMISSION OF PacSeal Hydraulics IS PROHIBITED.

TITLE
SV-150 Selector, Inline Ported

SIZE A	DWG. NO. 40-2207	REV 2
SCALE: 1:5	WEIGHT: 63	SHEET 2 OF 2