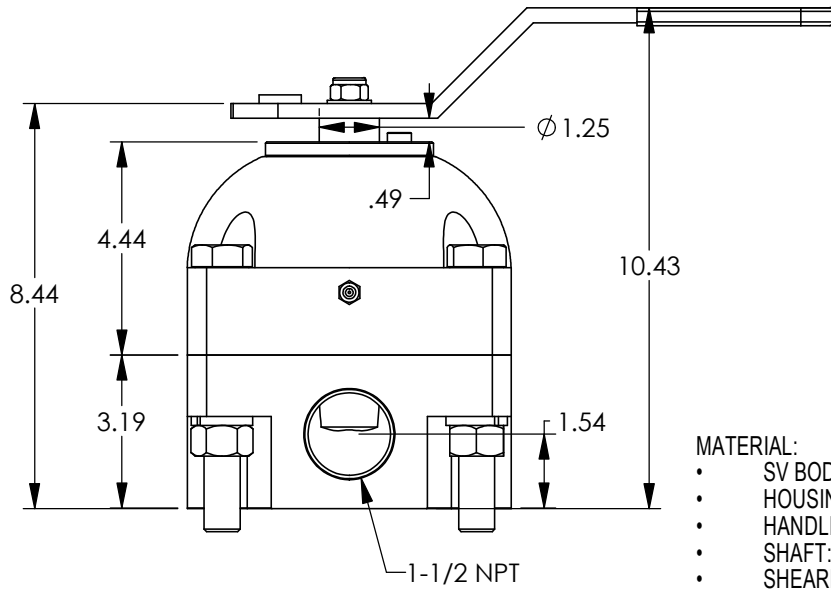
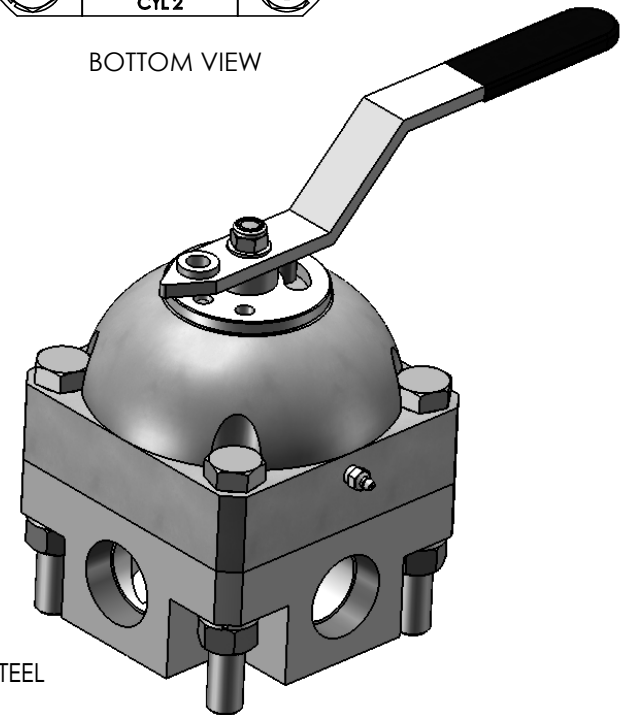


BOTTOM VIEW



- MATERIAL:**
- SV BODY: 416 SS
  - HOUSING: CARBON STEEL
  - HANDLE, DETENT & SPACERS: PLATED CARBON STEEL
  - SHAFT: 416 SS
  - SHEARFLO SEALING COMPONENTS: 440c HARDENED
  - O-RINGS: BUNA (NITRILE)
  - BACKUPS: TEFLON



MODEL NO: **SV-150 12N31LB1RN**  
 ROTOR: Bypass  
 ALL PORTS: 1-1/2" NPT  
 WORKING PRESSURE: 3000 PSI  
 RETURN PORT: 250 PSI MAX  
 Cv: 21.0  
 FLOW: 180 (GPM)  
 TEMP RATING: -30° TO 180°F

**PROPRIETARY AND CONFIDENTIAL**

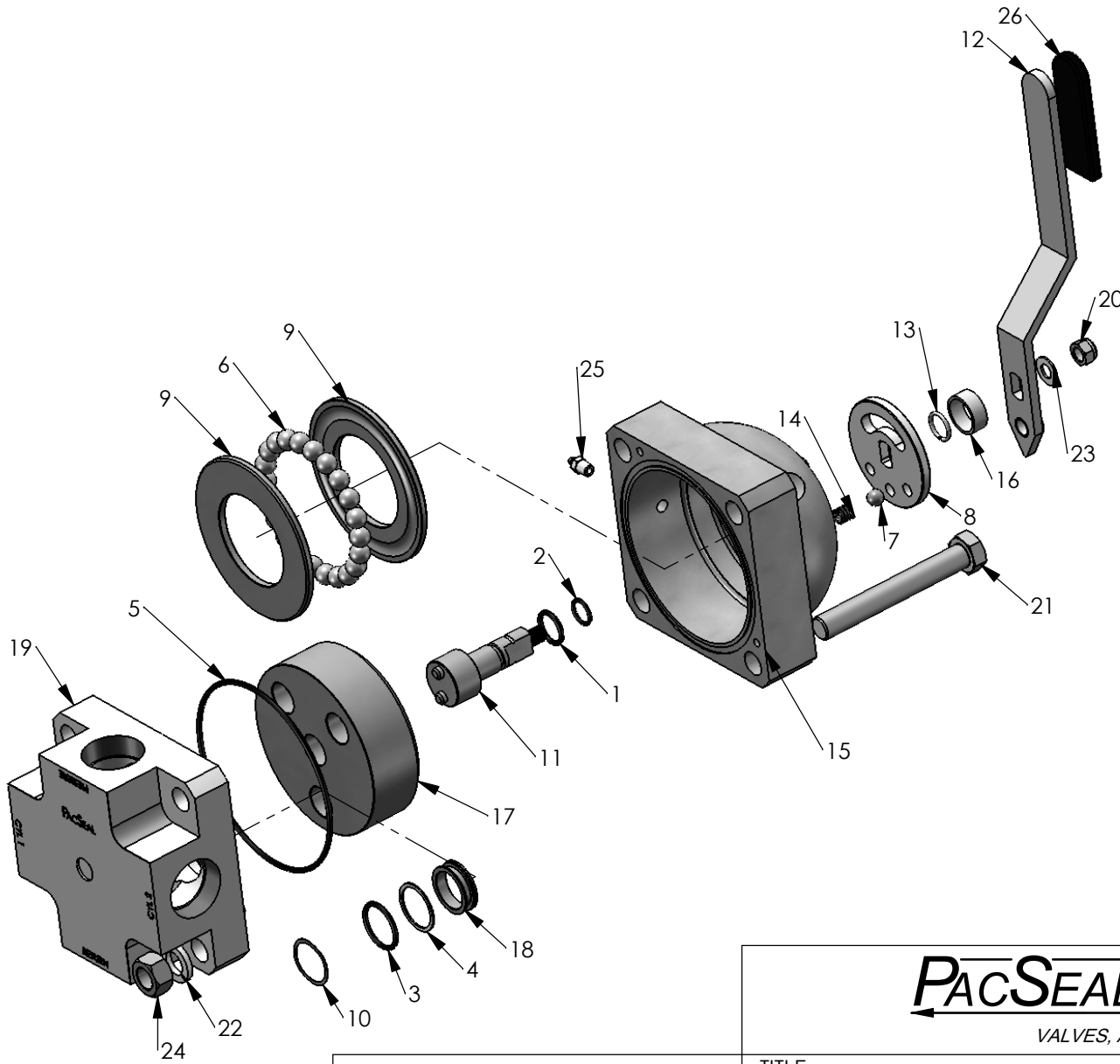
THE INFORMATION CONTAINED IN THIS DRAWING IS THE SOLE PROPERTY OF PacSeal Hydraulics. ANY REPRODUCTION IN PART OR AS A WHOLE WITHOUT THE WRITTEN PERMISSION OF PacSeal Hydraulics IS PROHIBITED.

**PACSEAL HYDRAULICS INC.**

VALVES, ACCUMULATORS, CONTROLS

TITLE  
 SV-150 Bypass, Inline  
 Ported

|                  |                            |                 |
|------------------|----------------------------|-----------------|
| SIZE<br><b>A</b> | DWG. NO.<br><b>40-2208</b> | REV<br><b>1</b> |
| SCALE: 1:4       | WEIGHT: 62                 | SHEET 1 OF 2    |



| ITEM NO. | PART NUMBER | DESCRIPTION         | QTY. |
|----------|-------------|---------------------|------|
| 1        | 23-1122     | O-Ring              | 1    |
| 2        | 23-1352     | O-Ring              | 1    |
| 3        | 23-1417     | O-ring              | 3    |
| 4        | 23-1418     | Backup Ring         | 3    |
| 5        | 23-1419     | O-Ring              | 1    |
| 6        | 40-0092     | Ball, Bearing       | 22   |
| 7        | 40-0174     | Ball, Detent        | 1    |
| 8        | 40-0180     | Detent Disc         | 1    |
| 9        | 40-0226     | Thrust Washer       | 2    |
| 10       | 40-0239     | Wave Spring         | 3    |
| 11       | 40-0276     | Shaft               | 1    |
| 12       | 40-0284     | Handle, Remote      | 1    |
| 13       | 40-0288     | Retaining Ring      | 1    |
| 14       | 40-0295     | Spring              | 1    |
| 15       | 40-0354     | Housing             | 1    |
| 16       | 40-0773     | Spacer, Handle      | 1    |
| 17       | 40-0779     | SV-150 Bypass Rotor | 1    |
| 18       | 40-2203     | Seal Ring           | 3    |
| 19       | 40-2206     | Body, SV-150        | 1    |
| 20       | 50-0093     | Nut, Shaft          | 1    |
| 21       | 50-0102     | Bolt                | 4    |
| 22       | 50-0105     | Lock Washer         | 4    |
| 23       | 50-0108     | Washer, Shaft       | 1    |
| 24       | 50-0111     | Hex Nut             | 4    |
| 25       | 50-0176     | Grease Fitting      | 1    |
| 26       | 50-0236     | Grip, Handle        | 1    |

# PACSEAL HYDRAULICS INC.

VALVES, ACCUMULATORS, CONTROLS

**PROPRIETARY AND CONFIDENTIAL**  
 THE INFORMATION CONTAINED IN THIS DRAWING IS THE SOLE PROPERTY OF PacSeal Hydraulics. ANY REPRODUCTION IN PART OR AS A WHOLE WITHOUT THE WRITTEN PERMISSION OF PacSeal Hydraulics IS PROHIBITED.

TITLE  
**SV-150 Bypass, Inline Ported**

|                  |                            |                 |
|------------------|----------------------------|-----------------|
| SIZE<br><b>A</b> | DWG. NO.<br><b>40-2208</b> | REV<br><b>1</b> |
| SCALE: 1:5       | WEIGHT: 62                 | SHEET 2 OF 2    |