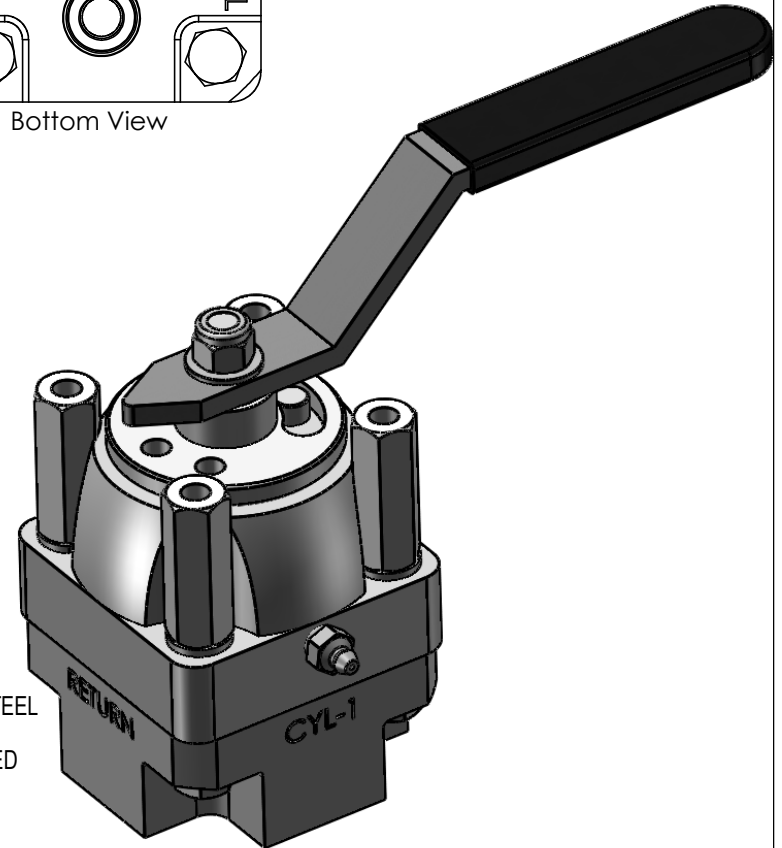


MATERIAL:

- SV BODY: 416 SS
- HOUSING: CARBON STEEL
- HANDLE, DETENT & SPACERS: PLATED CARBON STEEL
- SHAFT: 416 SS
- SHEARFLO SEALING COMPONENTS: 440c HARDENED
- O-RINGS: BUNA (NITRILE)
- BACKUPS: TEFLON



MODEL NO: **SV 50-4S3BPS1MN**
 ROTOR: Selector
 ALL PORTS: 1/2" SAE
 WORKING PRESSURE: 3000 PSI
 Cv: 3.20
 FLOW: 30 GPM
 TEMP RATING: -30°-180°F

PROPRIETARY AND CONFIDENTIAL

THE INFORMATION CONTAINED IN THIS DRAWING IS THE SOLE PROPERTY OF PacSeal Hydraulics. ANY REPRODUCTION IN PART OR AS A WHOLE WITHOUT THE WRITTEN PERMISSION OF PacSeal Hydraulics IS PROHIBITED.

PACSEAL HYDRAULICS INC.

VALVES, ACCUMULATORS, CONTROLS

TITLE
 SV-50 #8 SAE Back Ported -
 Panel Mount

SIZE	DWG. NO.	REV
A	40-2327-PM	2

SCALE: 1:2	WEIGHT: 10	SHEET 1 OF 1
------------	------------	--------------