

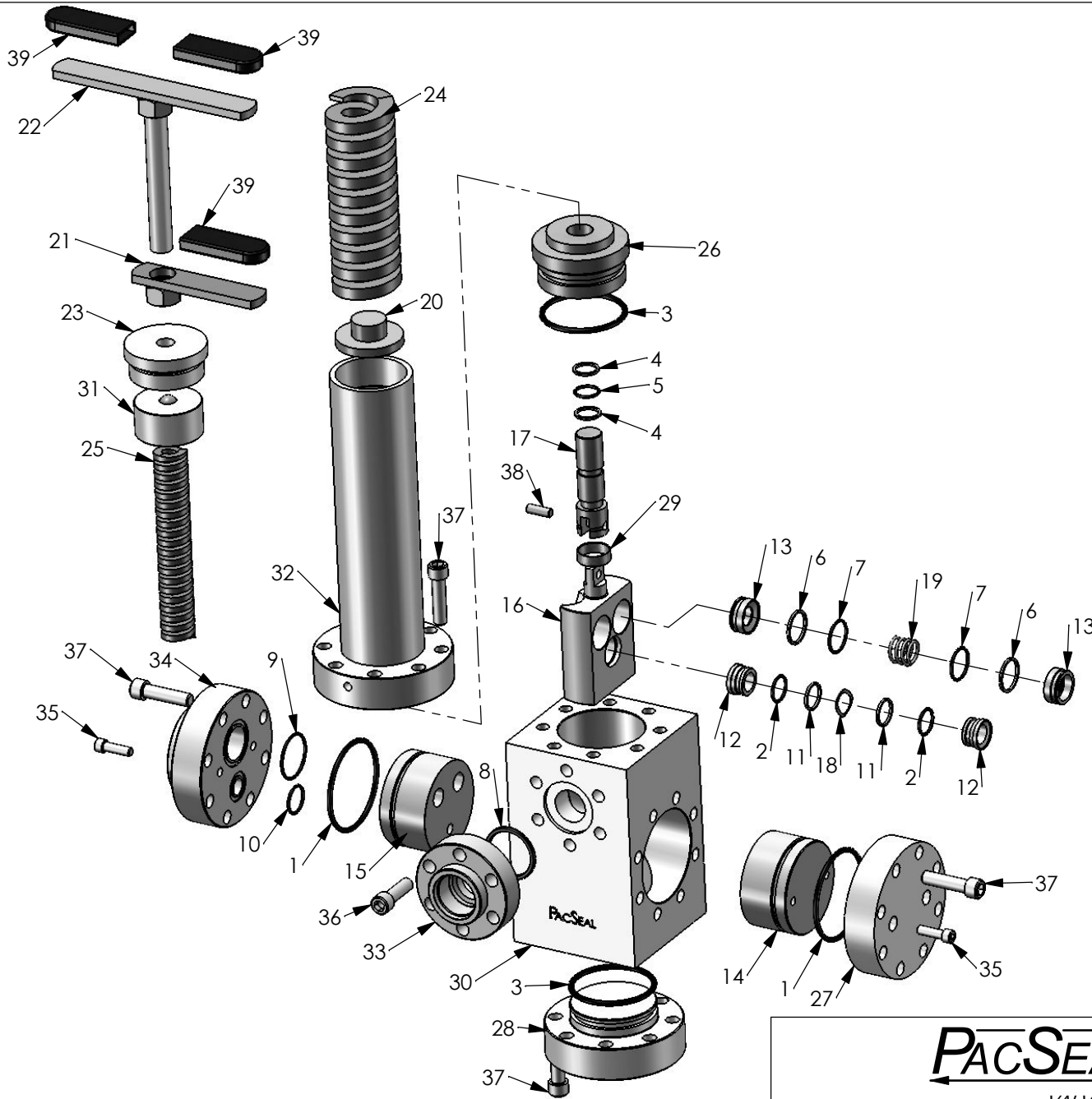
MODEL No. KR-75S6VM-4P  
 MAX INLET: 6000 PSI  
 REGULATED OUTLET: 500-5000 PSI  
 SPECIFIED FLOW: 75 GPM  
 Cv Outlet: 9.40  
 Cv Vent: 1.40  
 SUPPLY PORT: 1" SAE  
 REGULATED OUTLET: 1" SAE  
 VENT PORT: 1/2" SAE  
 OPERATOR: MANUAL OPERATOR

MATERIAL:  
 • BODY : STAINLESS STEEL  
 • INLET & OUTLET FLANGES: STAINLESS STEEL  
 • OPERATORS: CARBON STEEL  
 • INTERNAL: STAINLESS STEEL  
 • O-RINGS: BUNA (NITRILE)  
 • BACKUPS: TEFLON

TEMPERATURE RATING: -30°F TO 180°F  
 WEIGHT: 48 LBS

**PROPRIETARY AND CONFIDENTIAL**  
 THE INFORMATION CONTAINED IN THIS DRAWING IS THE SOLE PROPERTY OF PacSeal Hydraulics. ANY REPRODUCTION IN PART OR AS A WHOLE WITHOUT THE WRITTEN PERMISSION OF PacSeal Hydraulics IS PROHIBITED.

|  |          |              |     |
|--|----------|--------------|-----|
| <b>PacSeal Hydraulics Inc.</b><br>VALVES, ACCUMULATORS, CONTROLS |          |              |     |
| TITLE  | SIZE     | DWG. NO.     | REV |
| Regulator, KR-75M -4P  | <b>A</b> | 40-2395      | 1   |
| SCALE: 1:5   |          | SHEET 1 OF 2 |     |



| ITEM NO. | PART NUMBER | DESCRIPTION              | QTY. |
|----------|-------------|--------------------------|------|
| 1        | 23-1263     | O-Ring                   | 2    |
| 2        | 23-1293     | O-Ring                   | 2    |
| 3        | 23-1319     | O-Ring                   | 2    |
| 4        | 23-1320     | Backup Ring              | 2    |
| 5        | 23-1321     | O-Ring                   | 1    |
| 6        | 23-1322     | Backup Ring              | 4    |
| 7        | 23-1323     | O-Ring                   | 4    |
| 8        | 23-1324     | O-Ring                   | 1    |
| 9        | 23-1325     | O-Ring                   | 1    |
| 10       | 23-1326     | O-Ring                   | 1    |
| 11       | 23-1329     | Backup Ring              | 2    |
| 12       | 40-0013     | Seal Ring, Vent, KR-75   | 2    |
| 13       | 40-0014     | Seal Ring, Supply        | 4    |
| 14       | 40-0015     | Flow Plate, Blind        | 1    |
| 15       | 40-0016     | Flow Plate               | 1    |
| 16       | 40-0106     | Seal Container           | 1    |
| 17       | 40-0107     | Piston                   | 1    |
| 18       | 40-0109     | Wave Spring              | 1    |
| 19       | 40-0110     | Compression Spring       | 2    |
| 20       | 40-0134     | Spring Plate             | 1    |
| 21       | 40-0135     | Lock Handle              | 1    |
| 22       | 40-0136     | Adjusting Handle         | 1    |
| 23       | 40-0140     | Plug, Adjustment Head    | 1    |
| 24       | 40-0143     | Spring, Outer            | 1    |
| 25       | 40-0144     | Spring, Inner            | 1    |
| 26       | 40-0186     | Piston Guide             | 1    |
| 27       | 40-0195     | Flange, Blind            | 1    |
| 28       | 40-0197     | Flange, Lower            | 1    |
| 29       | 40-0199     | Pin, Retainer            | 1    |
| 30       | 40-0200     | Body, KR-75              | 1    |
| 31       | 40-0300     | Spring Guide             | 1    |
| 32       | 40-0383     | Ajustment Head           | 1    |
| 33       | 40-1095     | Flange, Outlet           | 1    |
| 34       | 40-2388     | Flange, Main w/SAE Ports | 1    |
| 35       | 50-0066     | SHCS                     | 4    |
| 36       | 50-0068     | Bolt, SHCS               | 6    |
| 37       | 50-0069     | Bolt, SHCS               | 32   |
| 38       | 50-0087     | Dowel Pin                | 1    |
| 39       | 50-0239     | Grip, Handle             | 3    |

# PacSEAL HYDRAULICS INC.

VALVES, ACCUMULATORS, CONTROLS

**PROPRIETARY AND CONFIDENTIAL**  
 THE INFORMATION CONTAINED IN THIS DRAWING IS THE SOLE PROPERTY OF PacSeal Hydraulics. ANY REPRODUCTION IN PART OR AS A WHOLE WITHOUT THE WRITTEN PERMISSION OF PacSeal Hydraulics IS PROHIBITED.

TITLE  
 Regulator, KR-75M -4P

|          |                |          |
|----------|----------------|----------|
| SIZE     | DWG. NO.       | REV      |
| <b>A</b> | <b>40-2395</b> | <b>1</b> |

SCALE: 1:5 SHEET 2 OF 2