

Model No.: KR-140S3LM
 MAX INLET: 3000 PSI
 REGULATED OUTLET: 50-1500 PSI
 SPECIFIED FLOW: 150 GPM
 Cv Outlet: 14.9
 Cv Vent: 2.80
 SUPPLY PORT (2): 1" SAE
 REGULATED OUTLET: 1-1/2" SAE
 VENT PORT (2): 1/2" SAE
 OPERATOR: MANUAL OPERATOR

MATERIAL:

- BODY: STAINLESS STEEL
- FLANGES & OPERATORS: CARBON STEEL
- INTERNAL: STAINLESS STEEL
- O-RINGS: BUNA (NITRILE)
- BACKUPS: TEFLON

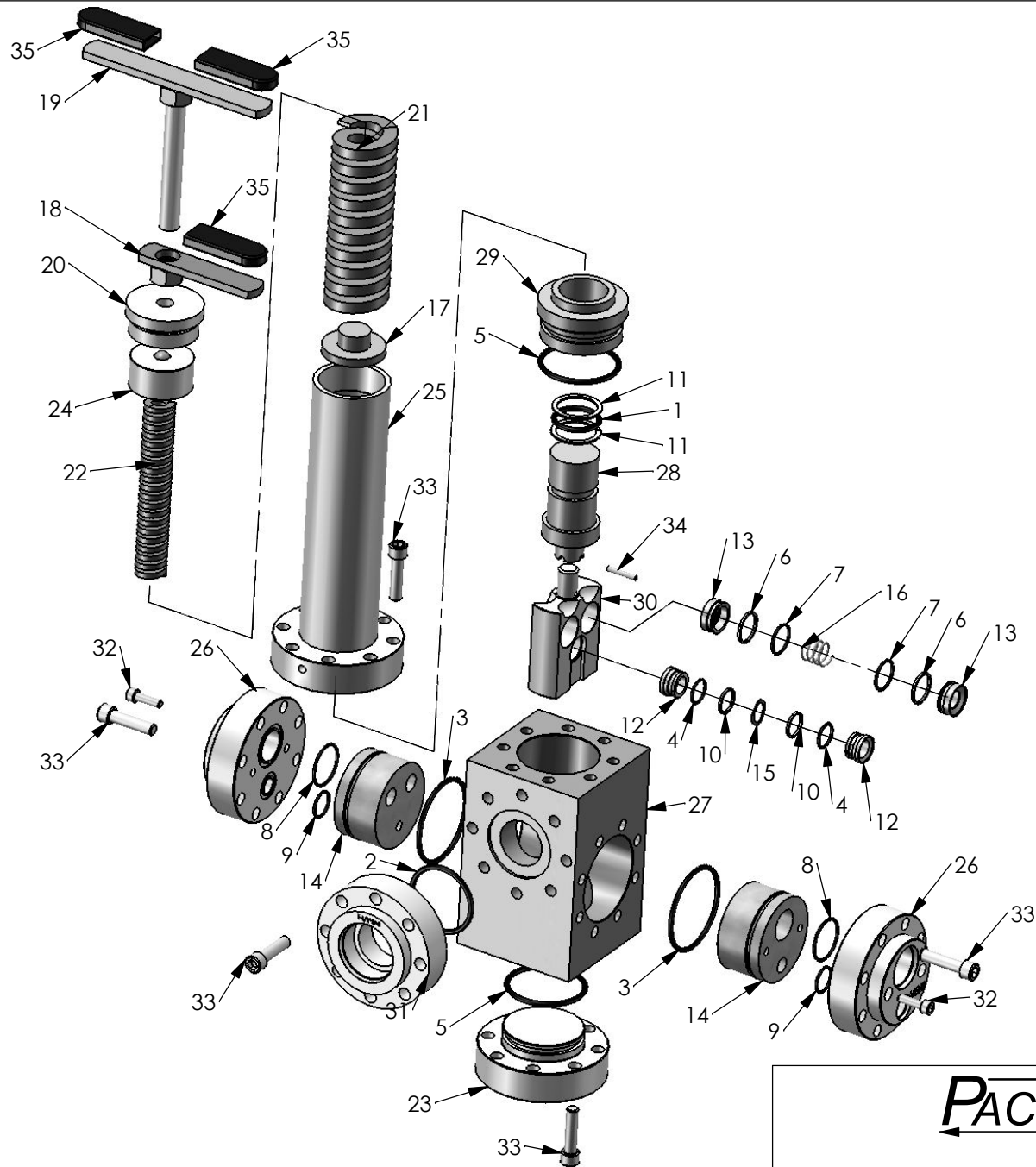
TEMPERATURE RATING: -30°F TO 180°F
 WEIGHT: 48 LBS

PacSeal HYDRAULICS INC.

VALVES, ACCUMULATORS, CONTROLS

PROPRIETARY AND CONFIDENTIAL
 THE INFORMATION CONTAINED IN THIS DRAWING IS THE SOLE PROPERTY OF PacSeal Hydraulics. ANY REPRODUCTION IN PART OR AS A WHOLE WITHOUT THE WRITTEN PERMISSION OF PacSeal Hydraulics IS PROHIBITED.

TITLE Regulator, KR-140LM SAE-Ports	SIZE A	DWG. NO. 40-2447	REV 1
	SCALE: 1:4		SHEET 1 OF 2



ITEM NO.	PART NUMBER	DESCRIPTION	QTY.
1	23-1124	O-Ring	1
2	23-1126	O-Ring	1
3	23-1263	O-Ring	2
4	23-1293	O-Ring	2
5	23-1319	O-Ring	2
6	23-1322	Backup Ring	4
7	23-1323	O-Ring	4
8	23-1325	O-Ring	2
9	23-1326	O-Ring	2
10	23-1329	Backup Ring	2
11	23-1342	Backup Ring	2
12	40-0013	Seal Ring, Vent, KR-75	2
13	40-0014	Seal Ring, Supply	4
14	40-0016	Flow Plate	2
15	40-0109	Wave Spring	1
16	40-0110	Compression Spring	2
17	40-0134	Spring Plate	1
18	40-0135	Lock Handle	1
19	40-0136	Adjusting Handle	1
20	40-0140	Plug, Adjustment Head	1
21	40-0143	Spring, Outer	1
22	40-0144	Spring, Inner	1
23	40-0197	Flange, Lower	1
24	40-0300	Spring Guide	1
25	40-0383	Ajstment Head	1
26	40-0894	Flange, Main w/SAE Ports	2
27	40-0950	Body, KR-140	1
28	40-0995	Piston	1
29	40-0996	Plunger Guide	1
30	40-1292	Seal Container	1
31	40-2194	Flange, Outlet (#24 SAE)	1
32	50-0066	Bolt, SHCS	4
33	50-0069	Bolt, SHCS	40
34	50-0117	Roll Pin	1
35	50-0239	Grip, Handle	3

PacSeal Hydraulics Inc.

VALVES, ACCUMULATORS, CONTROLS

PROPRIETARY AND CONFIDENTIAL
 THE INFORMATION CONTAINED IN THIS DRAWING IS THE SOLE PROPERTY OF PacSeal Hydraulics. ANY REPRODUCTION IN PART OR AS A WHOLE WITHOUT THE WRITTEN PERMISSION OF PacSeal Hydraulics IS PROHIBITED.

TITLE
**Regulator, KR-140LM
 SAE-Ports**

SIZE	DWG. NO.	REV
A	40-2447	1
SCALE: 1:5		SHEET 2 OF 2