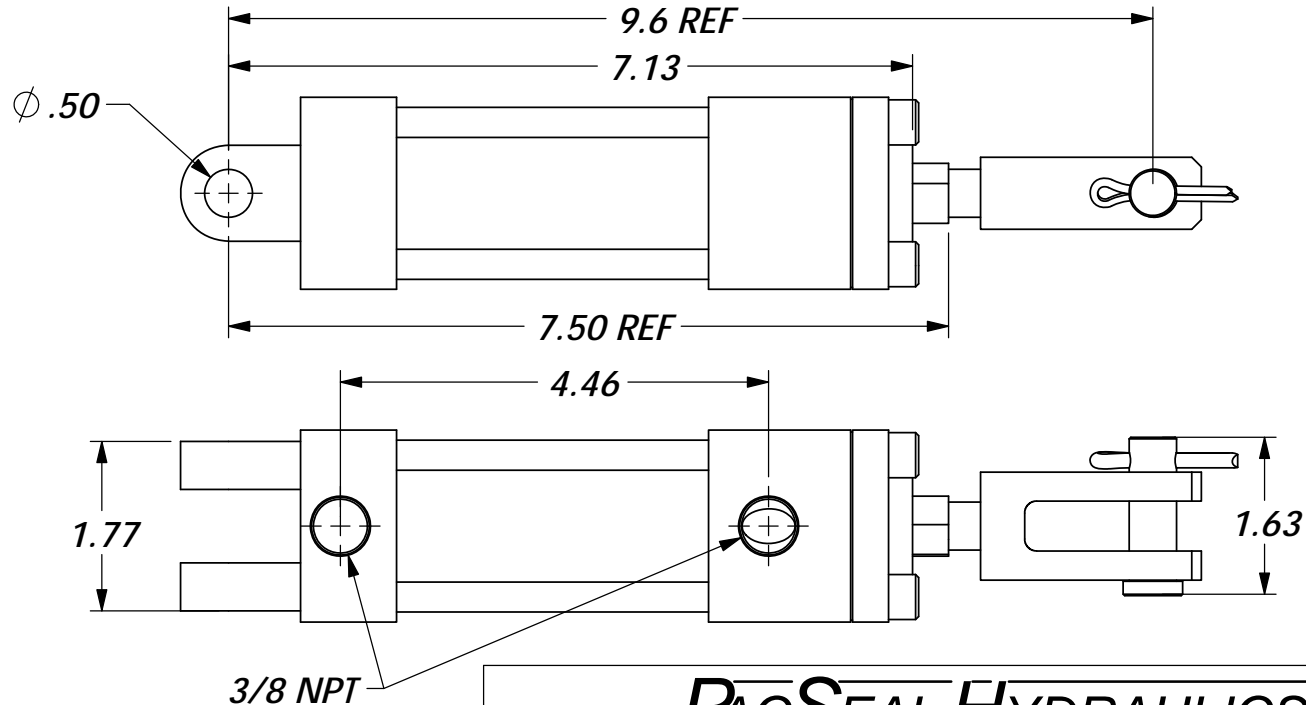
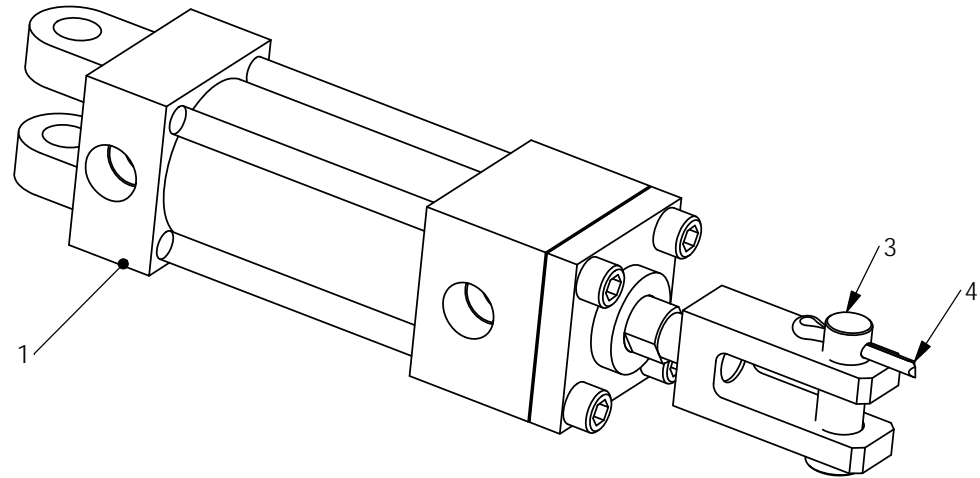


# Hyd Cylinder Kit

ITEM NO.	PART NUMBER	DESCRIPTION	QTY.
1	40-1412	LH3 Hydraulic Cylinder	1
2	40-2149	Clevis, AAC-302 Remote	1
3	50-0145	Clevis Pin	1
4	50-0146	Cotter Pin	1



**PACSEAL HYDRAULICS INC.**

VALVES, ACCUMULATORS, CONTROLS

**PROPRIETARY AND CONFIDENTIAL**  
 THE INFORMATION CONTAINED IN THIS DRAWING IS THE SOLE PROPERTY OF PacSeal Hydraulics. ANY REPRODUCTION IN PART OR AS A WHOLE WITHOUT THE WRITTEN PERMISSION OF PacSeal Hydraulics IS PROHIBITED.

-	-	-
REV	ECN	DATE

TITLE  
 Assembly, Hydraulic Cylinder  
 2-Pos, 2-1/8" Stroke

SIZE <b>A</b>	DWG. NO. <b>40-2452</b>	REV <b>2</b>
SCALE: 1:2	WEIGHT: 3	SHEET 1 OF 2