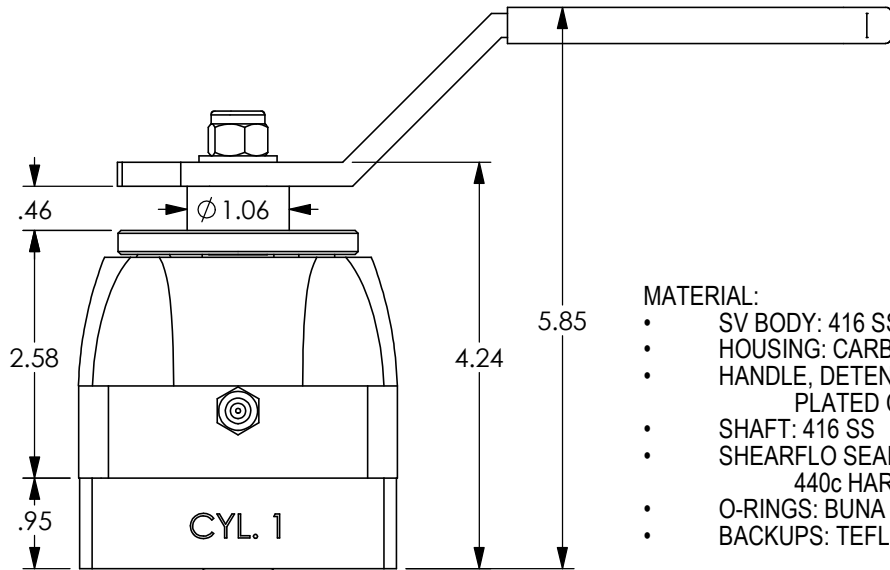
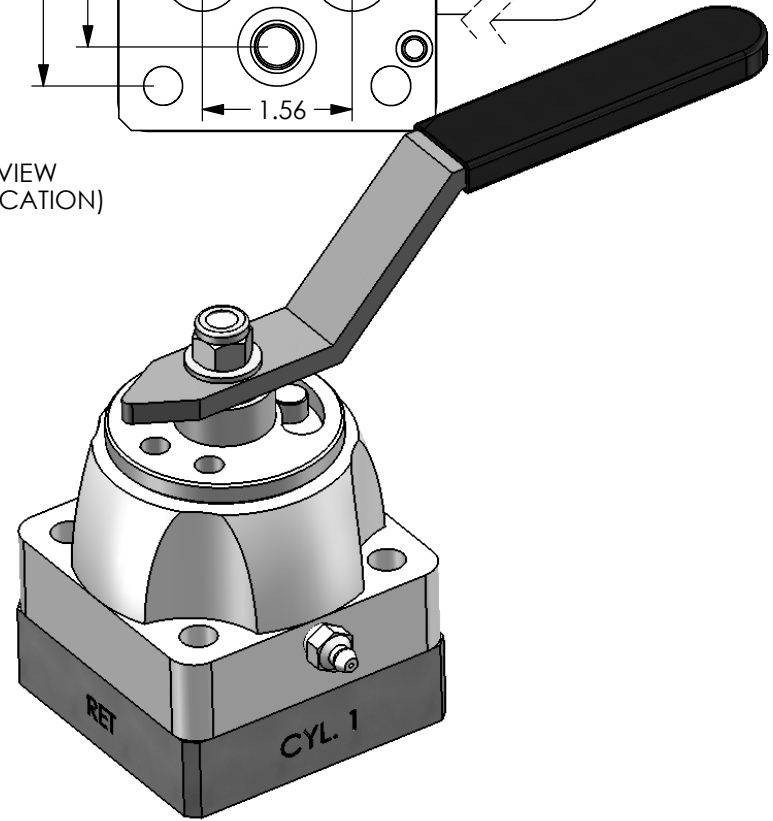


BOTTOM VIEW
(PORT LOCATION)



MATERIAL:

- SV BODY: 416 SS
- HOUSING: CARBON STEEL
- HANDLE, DETENT & SPACERS:
PLATED CARBON STEEL
- SHAFT: 416 SS
- SHEARFLO SEALING COMPONENTS:
440c HARDENED
- O-RINGS: BUNA (NITRILE)
- BACKUPS: TEFLON

MODEL NO: **SV-50 4M3BSS1MN**
 ROTOR: SELECTOR
 ALL PORTS: Manifold Ported
 WORKING PRESSURE: 3000 PSI
 RETURN PORT: 250 PSI MAX
 Cv: 3.2
 FLOW: 30 GPM
 TEMP RATING: -30° TO 180°F

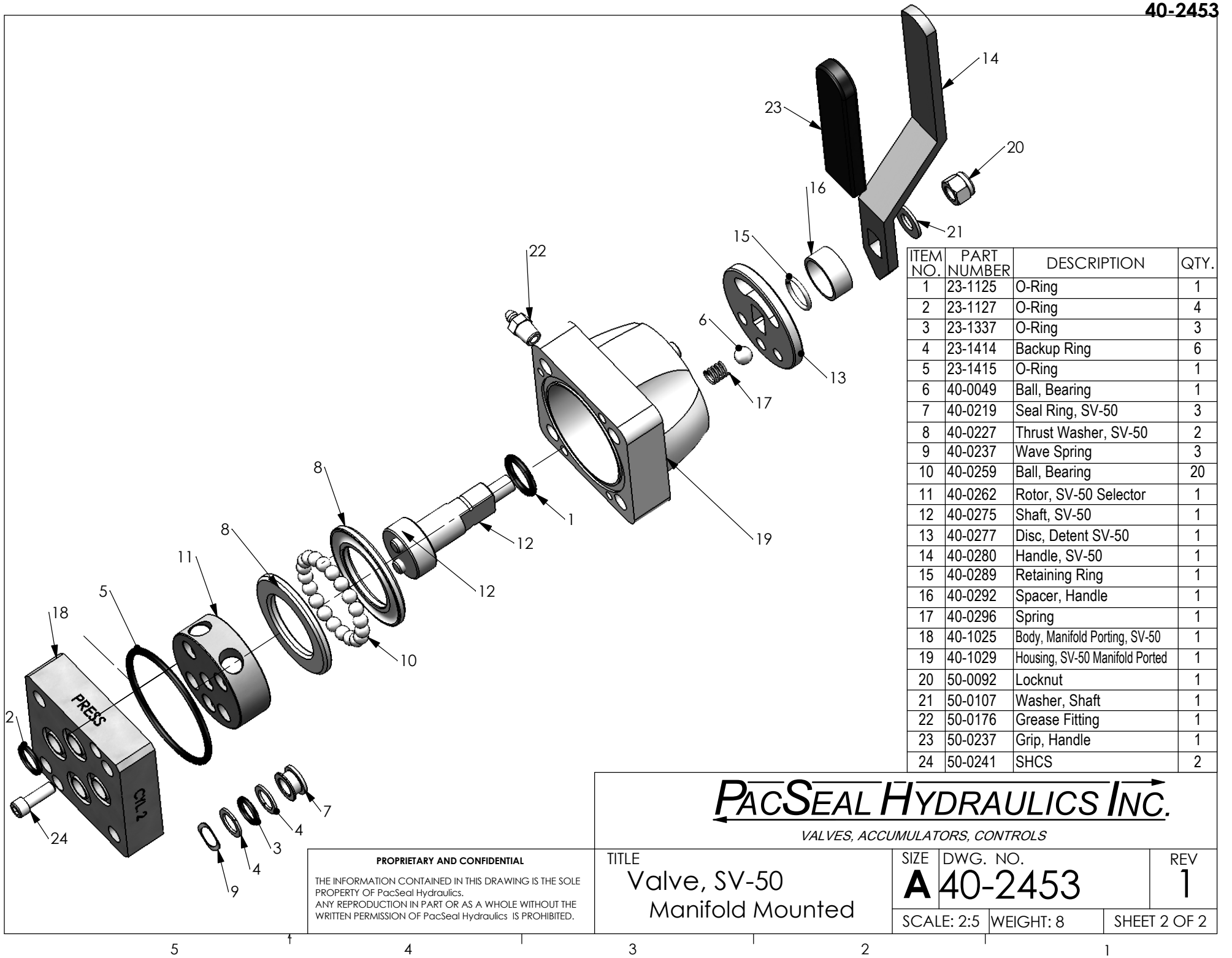
PROPRIETARY AND CONFIDENTIAL

THE INFORMATION CONTAINED IN THIS DRAWING IS THE SOLE PROPERTY OF PacSeal Hydraulics. ANY REPRODUCTION IN PART OR AS A WHOLE WITHOUT THE WRITTEN PERMISSION OF PacSeal Hydraulics IS PROHIBITED.

PacSeal Hydraulics Inc.

VALVES, ACCUMULATORS, CONTROLS

TITLE Valve, SV-50, Manifold Mounted	SIZE A	DWG. NO. 40-2453	REV 1
	SCALE: 1:2	WEIGHT: 8	SHEET 1 OF 2



ITEM NO.	PART NUMBER	DESCRIPTION	QTY.
1	23-1125	O-Ring	1
2	23-1127	O-Ring	4
3	23-1337	O-Ring	3
4	23-1414	Backup Ring	6
5	23-1415	O-Ring	1
6	40-0049	Ball, Bearing	1
7	40-0219	Seal Ring, SV-50	3
8	40-0227	Thrust Washer, SV-50	2
9	40-0237	Wave Spring	3
10	40-0259	Ball, Bearing	20
11	40-0262	Rotor, SV-50 Selector	1
12	40-0275	Shaft, SV-50	1
13	40-0277	Disc, Detent SV-50	1
14	40-0280	Handle, SV-50	1
15	40-0289	Retaining Ring	1
16	40-0292	Spacer, Handle	1
17	40-0296	Spring	1
18	40-1025	Body, Manifold Porting, SV-50	1
19	40-1029	Housing, SV-50 Manifold Ported	1
20	50-0092	Locknut	1
21	50-0107	Washer, Shaft	1
22	50-0176	Grease Fitting	1
23	50-0237	Grip, Handle	1
24	50-0241	SHCS	2

PACSEAL HYDRAULICS INC.

VALVES, ACCUMULATORS, CONTROLS

PROPRIETARY AND CONFIDENTIAL
 THE INFORMATION CONTAINED IN THIS DRAWING IS THE SOLE PROPERTY OF PacSeal Hydraulics. ANY REPRODUCTION IN PART OR AS A WHOLE WITHOUT THE WRITTEN PERMISSION OF PacSeal Hydraulics IS PROHIBITED.

TITLE
**Valve, SV-50
 Manifold Mounted**

SIZE	DWG. NO.	REV
A	40-2453	1
SCALE: 2:5	WEIGHT: 8	SHEET 2 OF 2