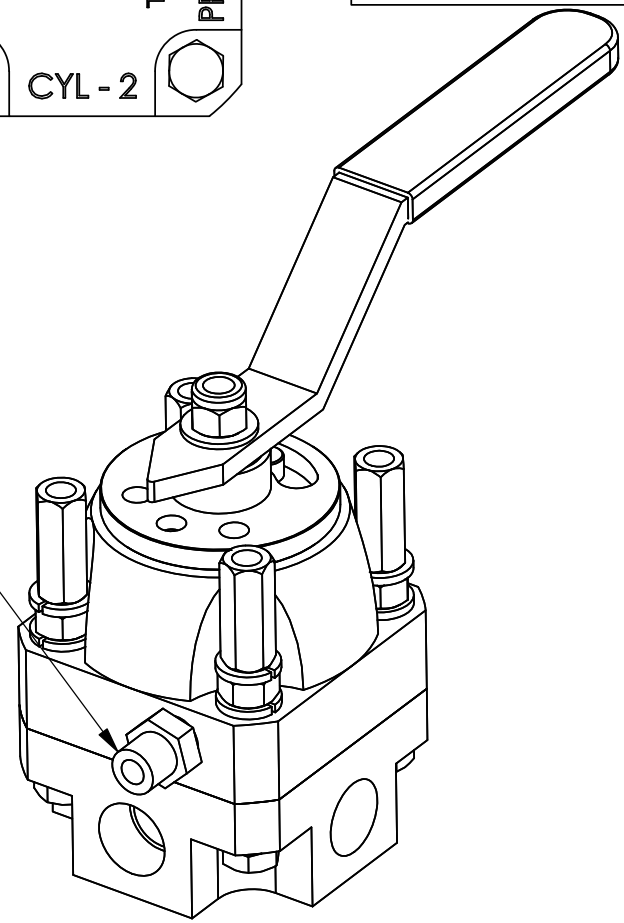


1/4" NPT (Case Drain)

- MATERIAL:**
- SV BODY: 416 SS
  - HOUSING: CARBON STEEL
  - HANDLE, DETENT & SPACERS: PLATED CARBON STEEL
  - SHAFT: 416 SS
  - SHEARFLO SEALING COMPONENTS: 440c HARDENED
  - O-RINGS: BUNA (NITRILE)
  - BACKUPS: TEFLON



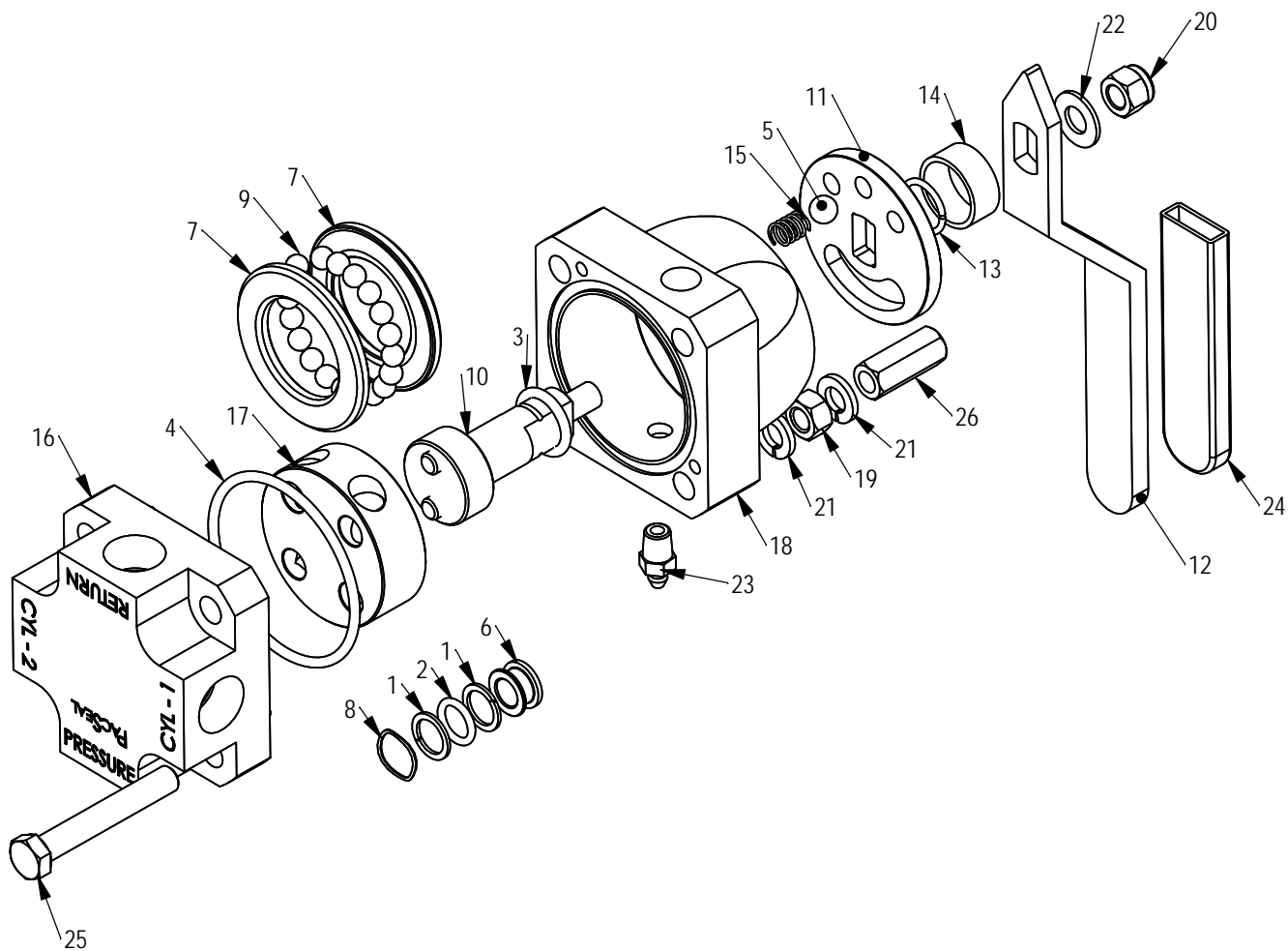
MODEL NO: **4N3IPA1MN**  
 ROTOR: Block Center  
 ALL PORTS: 1/2" NPT  
 WORKING PRESSURE: 3000 PSI  
 Cv: 3.20  
 FLOW: 30 (GPM)  
 TEMP RATING: -30° TO 180°F

**PROPRIETARY AND CONFIDENTIAL**  
 THE INFORMATION CONTAINED IN THIS DRAWING IS THE SOLE PROPERTY OF PacSeal Hydraulics. ANY REPRODUCTION IN PART OR AS A WHOLE WITHOUT THE WRITTEN PERMISSION OF PacSeal Hydraulics IS PROHIBITED.

**PacSeal Hydraulics Inc.**

VALVES, ACCUMULATORS, CONTROLS

TITLE SV-50/3K Inline Ported Block Center, Panel Mount	SIZE <b>A</b>	DWG. NO. 40-2477-PM	REV 2
	SCALE: 1:2	WEIGHT: 9	SHEET 1 OF 2



ITEM NO.	PART NUMBER	DESCRIPTION	QTY
1	23-1414	Backup Ring	8
2	23-1537	O-Ring	4
3	23-1538	O-Ring	1
4	23-1539	O-Ring	1
5	40-0049	Ball, Bearing	1
6	40-0219	Seal Ring, SV-50	4
7	40-0227	Thrust Washer, SV-50	2
8	40-0237	Wave Spring	4
9	40-0259	Ball, Bearing	20
10	40-0275	Shaft, SV-50	1
11	40-0277	Disc, Detent SV-50	1
12	40-0280	Handle	1
14	40-0292	Spacer, Handle	1
15	40-0296	Spring	1
16	40-1236	Body, SV-50 All Ports Blocked	1
17	40-2246	Rotor, SV-50 All Block	1
18	40-2283	Housing, SV-50 w/Case Drain	1
19	50-0078	Hex Nut	4
20	50-0092	Locknut	1
21	50-0103	Lock Washer	8
22	50-0107	Washer, Shaft	1
23	50-0176	Grease Fitting	1
24	50-0237	Grip, Handle	1
25	50-0267	Bolt	4
26	50-0461	Nut, Panel Mount	4

# PACSEAL HYDRAULICS INC.

VALVES, ACCUMULATORS, CONTROLS

**PROPRIETARY AND CONFIDENTIAL**

THE INFORMATION CONTAINED IN THIS DRAWING IS THE SOLE PROPERTY OF PacSeal Hydraulics. ANY REPRODUCTION IN PART OR AS A WHOLE WITHOUT THE WRITTEN PERMISSION OF PacSeal Hydraulics IS PROHIBITED.

TITLE  
SV-50/3K Inline Ported Block  
Center, Panel Mount

SIZE <b>A</b>	DWG. NO. 40-2477-PM	REV 2
------------------	------------------------	----------

SCALE: 2:5	WEIGHT: 9	SHEET 2 OF 2
------------	-----------	--------------