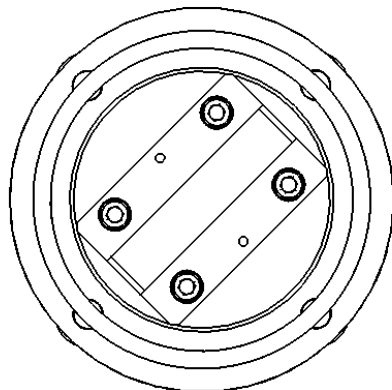
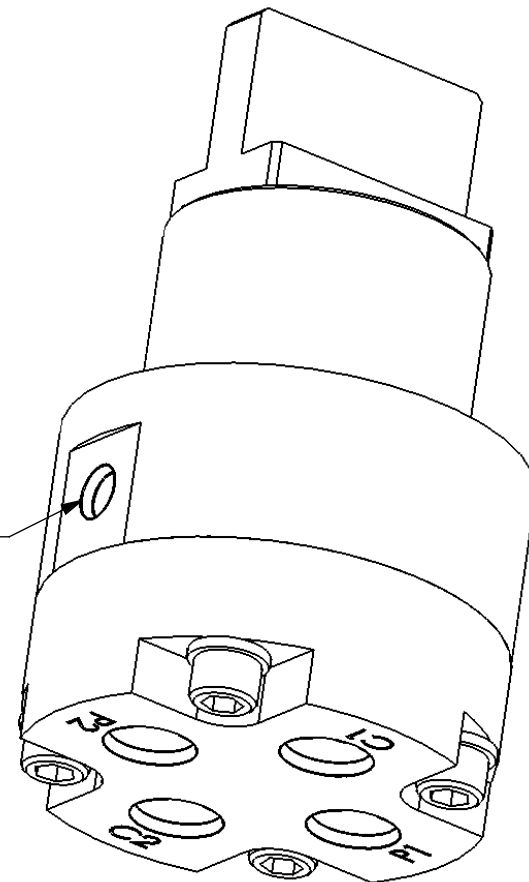


CLOSED
(ALL PORTS BLOCKED)



OPEN (45° CCW):
P1 - C1, P2 - C2

1/4" (#4) SAE PORT (1 PL)
(CASE DRAIN TO TANK, 250 PSI MAX)



-W.P. : 3000 PSI ALL PORTS
CASE DRAIN TO TANK: 250 PSI
-Cv : 3.2

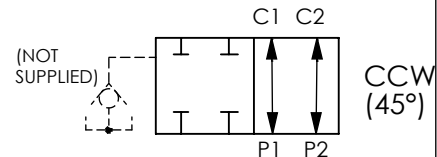
-SERVICE: SUBSEA SERVICE

-MATERIALS:
EXTERNAL: 316 SS
INTERNAL (SEALING): 440c, 416, 316
INTERNAL (NON SEALING):
CARBON STEEL, BRONZE

-ELASTOMERS: NITRILE, TEFLON

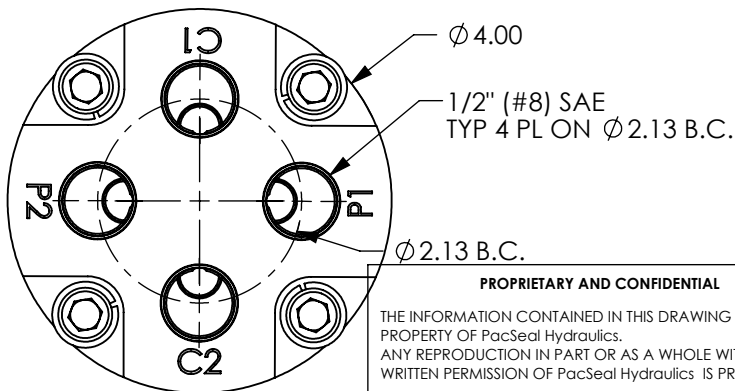
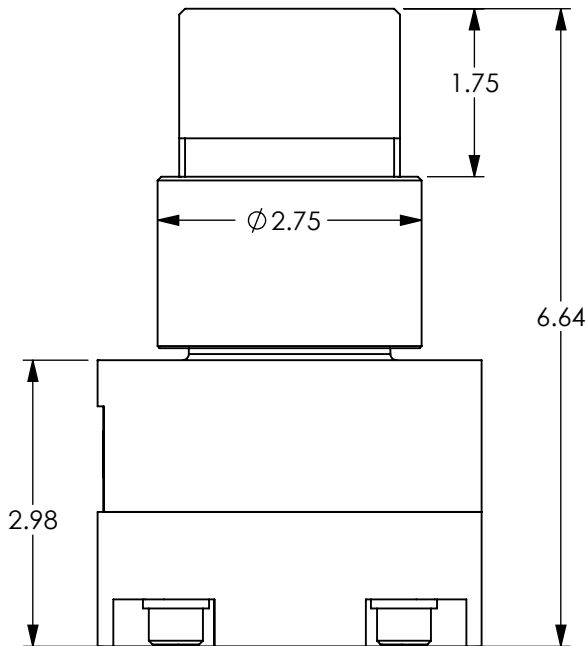
-MAX ACTUATION TORQUE: API 17D Class1 (50 ft*lbs)

- ROTOR: Shutoff



2-POSITION DETENTED
OPERATION

MODEL No. SVS-50 3C4PN



PROPRIETARY AND CONFIDENTIAL

THE INFORMATION CONTAINED IN THIS DRAWING IS THE SOLE PROPERTY OF PacSeal Hydraulics. ANY REPRODUCTION IN PART OR AS A WHOLE WITHOUT THE WRITTEN PERMISSION OF PacSeal Hydraulics IS PROHIBITED.

PacSeal HYDRAULICS INC.

VALVES, ACCUMULATORS, CONTROLS

TITLE Valve, SVS-50 Shutoff 4-Way	SIZE A	DWG. NO. 40-2912	REV A
	SCALE: 1:2	Weight: 13.0	SHEET 1 OF 2

