

Model No.: KR-140N6VFSA
 MAX INLET: 6000 PSI
 REGULATED OUTLET: 500-5000 PSI
 SPECIFIED FLOW: 150 GPM
 Cv Outlet: 14.9
 Cv Vent: 2.80
 SUPPLY PORT (2): 1" NPT
 REGULATED OUTLET: 1-1/2" NPT
 VENT PORT (2): 1/2" NPT
 OPERATOR: FAILSAFE AIR MOTOR

MATERIAL:
 • BODY: STAINLESS STEEL
 • FLANGES & OPERATORS: CARBON STEEL
 • INTERNAL: STAINLESS STEEL
 • O-RINGS: BUNA (NITRILE)
 • BACKUPS:TEFLON

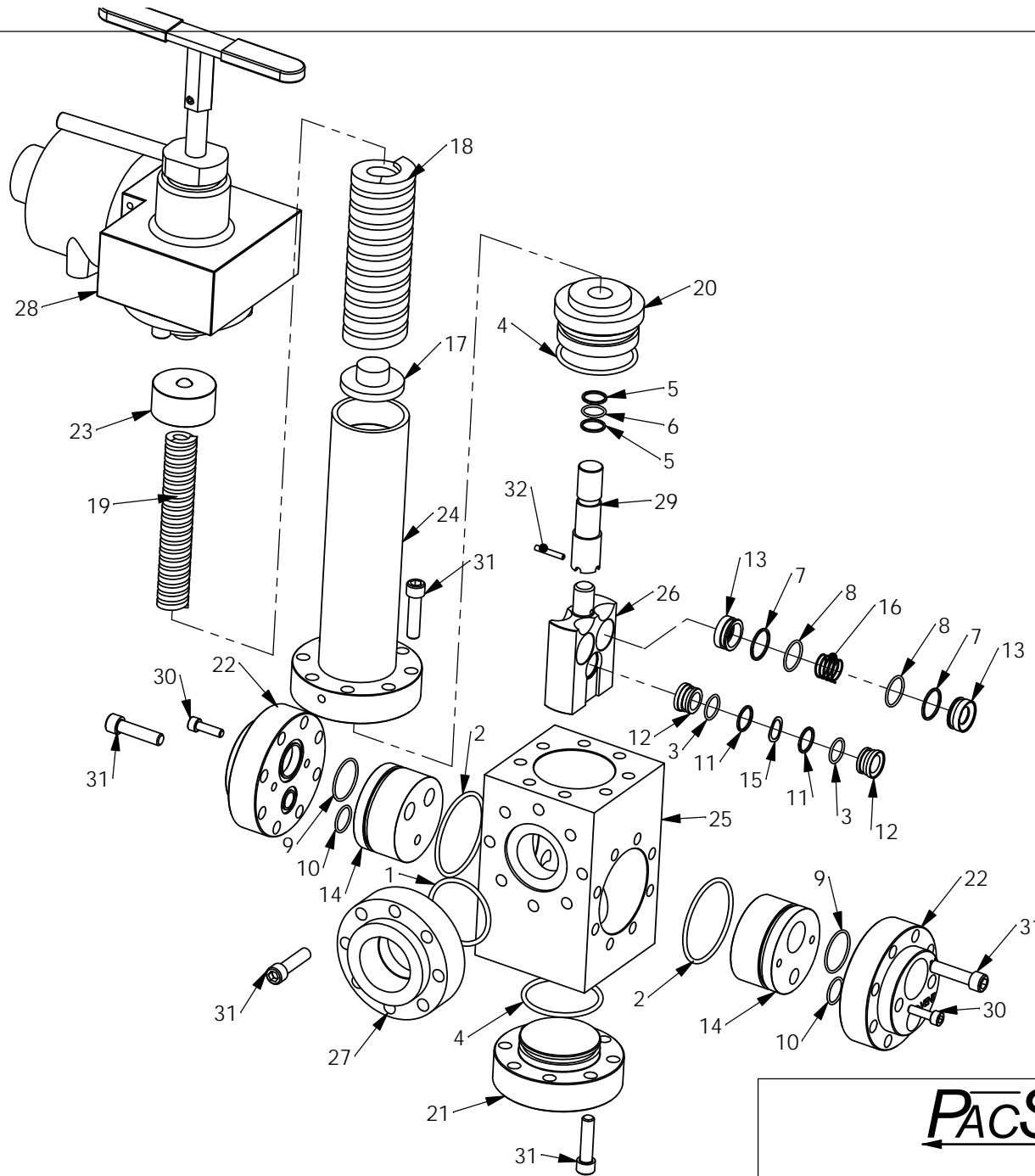
TEMPERATURE RATING: -30°F TO 180°F
 WEIGHT: 75 LBS

NOTE:
 1. TURN CLOCKWISE TO LOCK FOR FAILSAFE AIR OPERATION
 2. TURN COUNTER-CLOCKWISE TO UNLOCK FOR MANUAL OPERATION

PacSeal Hydraulics Inc.

VALVES, ACCUMULATORS, CONTROLS

PROPRIETARY AND CONFIDENTIAL THE INFORMATION CONTAINED IN THIS DRAWING IS THE SOLE PROPERTY OF PacSeal Hydraulics. ANY REPRODUCTION IN PART OR AS A WHOLE WITHOUT THE WRITTEN PERMISSION OF PacSeal Hydraulics IS PROHIBITED.	TITLE	SIZE	DWG. NO.	REV
	Regulator, KR-140 FSA, H.P.	A	40-2926	1
	SCALE: 1:6			SHEET 1 OF 2



ITEM NO.	PART NUMBER	DESCRIPTION	QTY.
1	23-1126	O-Ring	1
2	23-1263	O-Ring	2
3	23-1293	O-Ring	2
4	23-1319	O-Ring	2
5	23-1320	Backup Ring	2
6	23-1321	O-Ring	1
7	23-1322	Backup Ring	4
8	23-1323	O-Ring	4
9	23-1325	O-Ring	2
10	23-1326	O-Ring	2
11	23-1329	Backup Ring	2
12	40-0013	Seal Ring, Vent, KR-75	2
13	40-0014	Seal Ring, Supply	4
14	40-0016	Flow Plate	2
15	40-0109	Wave Spring	1
16	40-0110	Spring	2
17	40-0134	Spring Plate	1
18	40-0143	Spring, Outer	1
19	40-0144	Spring, Inner	1
20	40-0186	Piston Guide	1
21	40-0197	Flange, Lower	1
22	40-0198	Flange, Main	2
23	40-0300	Spring Guide	1
24	40-0383	Ajstment Head	1
25	40-0950	Body, KR-140	1
26	40-1292	Seal Container	1
27	40-1384	Flange, Outlet	1
28	40-1649	Actuator, KR FSA H.P.	1
29	40-2875	Piston, 3/4" Dia - KR-140	1
30	50-0066	Bolt, SHCS	4
31	50-0069	Bolt, SHCS	40
32	50-0117	Roll Pin	1

PacSeal HYDRAULICS INC.

VALVES, ACCUMULATORS, CONTROLS

PROPRIETARY AND CONFIDENTIAL
 THE INFORMATION CONTAINED IN THIS DRAWING IS THE SOLE PROPERTY OF PacSeal Hydraulics. ANY REPRODUCTION IN PART OR AS A WHOLE WITHOUT THE WRITTEN PERMISSION OF PacSeal Hydraulics IS PROHIBITED.

TITLE
 Regulator, KR-140 FSA, H.P.

SIZE	DWG. NO.	REV
A	40-2926	1

SCALE: 1:5 SHEET 2 OF 2