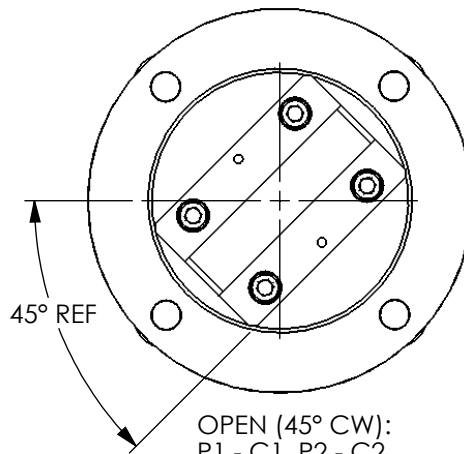


CLOSED
(P1 & P2 BLOCKED), C1 & C2 DRAIN TO TANK)



1/4" (#4) SAE PORT (1 PL)
(CASE DRAIN TO TANK, 250 PSI MAX)

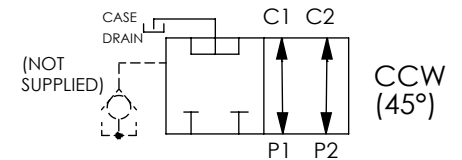
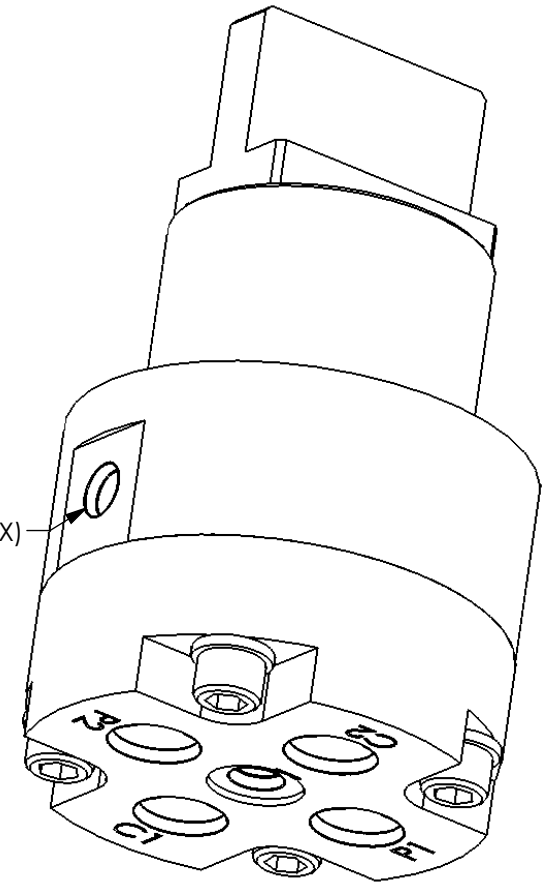
-W.P. : 3000 PSI ALL PORTS
CASE DRAIN TO TANK: 250 PSI
-Cv : 3.2

-SERVICE: SUBSEA SERVICE

-MATERIALS:
EXTERNAL: 316 SS
INTERNAL (SEALING): 440c, 416, 316
INTERNAL (NON SEALING):
CARBON STEEL, BRONZE

-ELASTOMERS: NITRILE, TEFLON

-MAX ACTUATION TORQUE: API 17D Class1 (50 ft*lbs)
- ROTOR: Manipulator



2-POSITION DETENTED
OPERATION

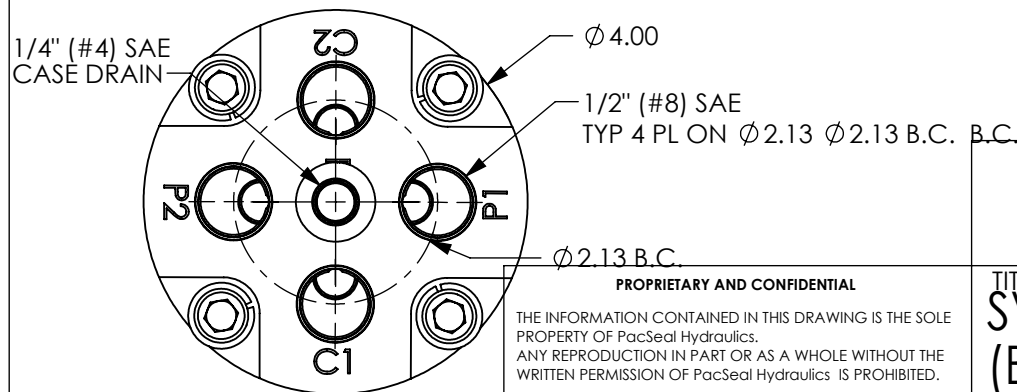
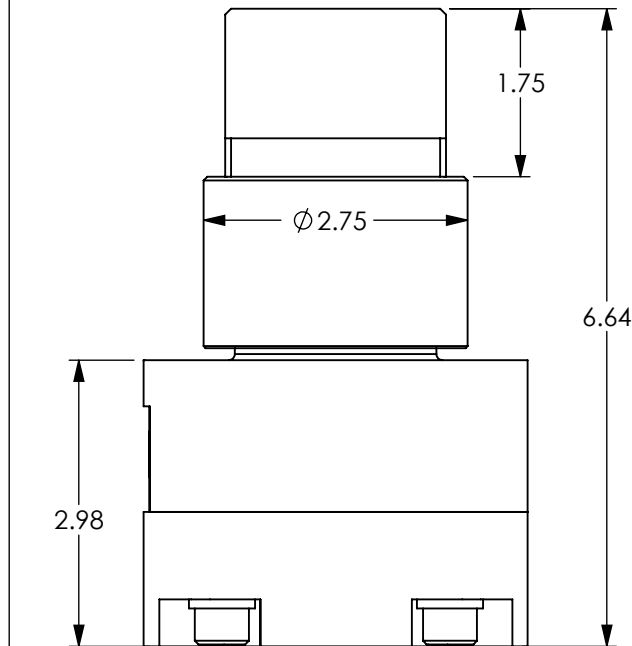
MODEL No. SVS-50 3M3PN

PacSeal HYDRAULICS INC.

VALVES, ACCUMULATORS, CONTROLS

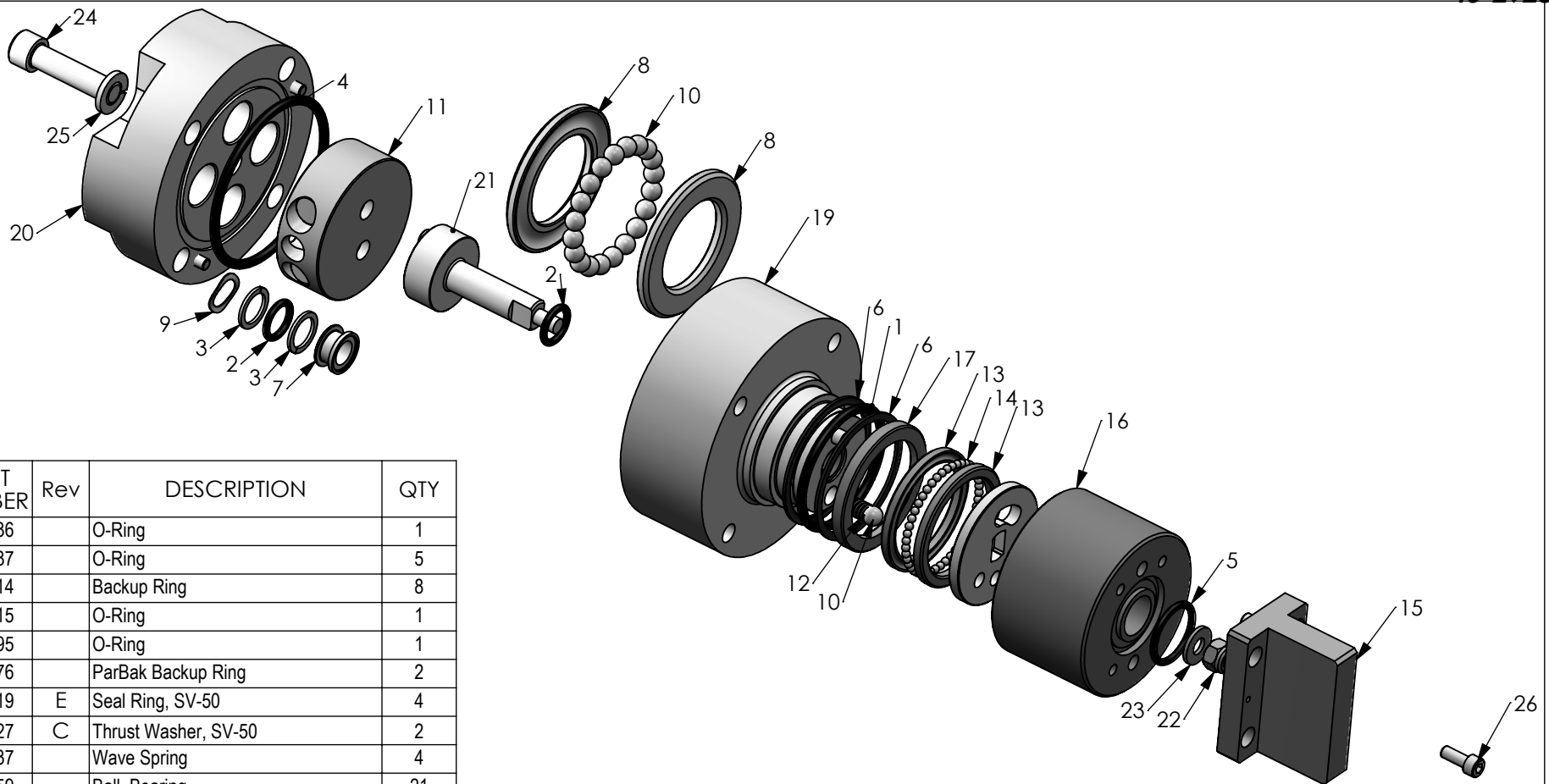
TITLE
SVS-50 Manipulator,
(Body Case Drain)

SIZE A	DWG. NO. 40-2928	REV A
SCALE: 1:2	Weight: 12.9	SHEET 1 OF 2



PROPRIETARY AND CONFIDENTIAL

THE INFORMATION CONTAINED IN THIS DRAWING IS THE SOLE PROPERTY OF PacSeal Hydraulics. ANY REPRODUCTION IN PART OR AS A WHOLE WITHOUT THE WRITTEN PERMISSION OF PacSeal Hydraulics IS PROHIBITED.



ITEM NO.	PART NUMBER	Rev	DESCRIPTION	QTY
1	23-1336		O-Ring	1
2	23-1337		O-Ring	5
3	23-1414		Backup Ring	8
4	23-1415		O-Ring	1
5	23-1495		O-Ring	1
6	23-1576		ParBak Backup Ring	2
7	40-0219	E	Seal Ring, SV-50	4
8	40-0227	C	Thrust Washer, SV-50	2
9	40-0237		Wave Spring	4
10	40-0259		Ball, Bearing	21
11	40-0265	B	Rotor, SV-50 Manipulator	1
12	40-0297	l	Spring	1
13	40-1223	B	Thrust Washer, Housing SV-25/50	2
14	40-2123		Ball, Bearing	45
15	40-2186	B	Handle, Paddle SVS-25/50	1
16	40-2198	B	Housing, Actuator SVS-25/50	1
17	40-2205	C	Bushing, Actuator SVS-25/50	1
18	40-2216	B	Detent Disc, SVS-25 2 POS (ON/OFF 50°)	1
19	40-2917	A	Housing, Rotor SVS-50 w/ Case Drain	1
20	40-2929	A	Body, SVS50 All Ports Blocked #4 SAE Case Drain	1
21	40-2949	A	Shaft, SVS-50	1
22	50-0091		Locknut	1
23	50-0106		Washer, Shaft	1
24	50-0230		Bolt, SHCS	4
25	50-0316		Lock Washer, St Stl	4
26	50-0323		Bolt, SHCS	4

PROPRIETARY AND CONFIDENTIAL

THE INFORMATION CONTAINED IN THIS DRAWING IS THE SOLE PROPERTY OF PacSeal Hydraulics. ANY REPRODUCTION IN PART OR AS A WHOLE WITHOUT THE WRITTEN PERMISSION OF PacSeal Hydraulics IS PROHIBITED.

***PacSeal** HYDRAULICS INC.*

VALVES, ACCUMULATORS, CONTROLS

TITLE
SVS-50 Manipulator,
(Body Case Drain)

SIZE
A

DWG. NO.
40-2928

REV
A

SCALE: 2:5

Est. Wt. 12.9

SHEET 2 OF 2

5

4

3

2

1