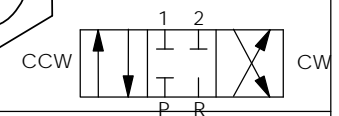
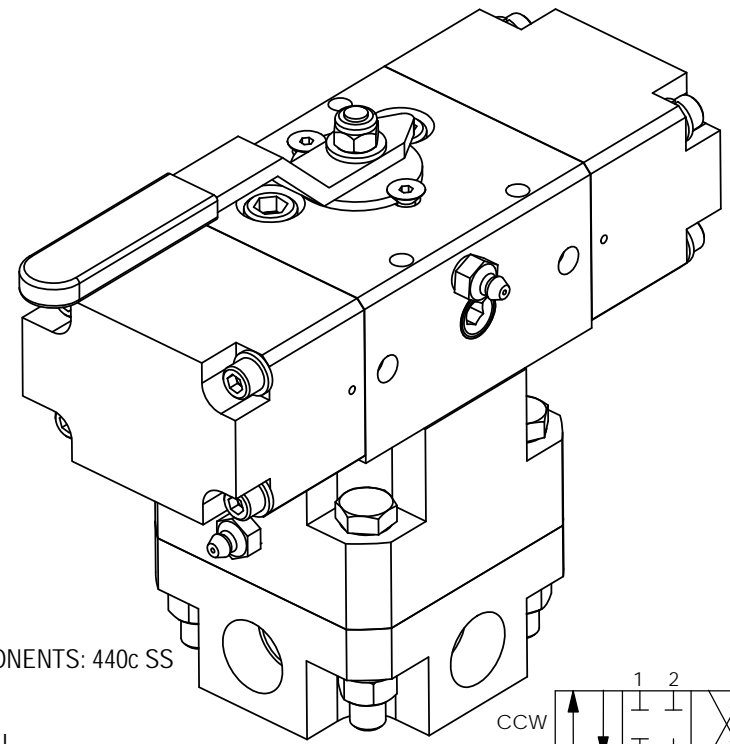


WORKING PRESSURE: 3000 PSI
 HYD ACTUATOR: 800-1500 PSI
 MATERIAL:
 • SV BODY: 416 SS
 • HOUSING: Carbon Steel
 • INTERNAL SEALING COMPONENTS: 440c SS
 • HYD ACTUATOR:
 Body: 6061-T6 Alu
 Cylinders: 6061-T6 Alu



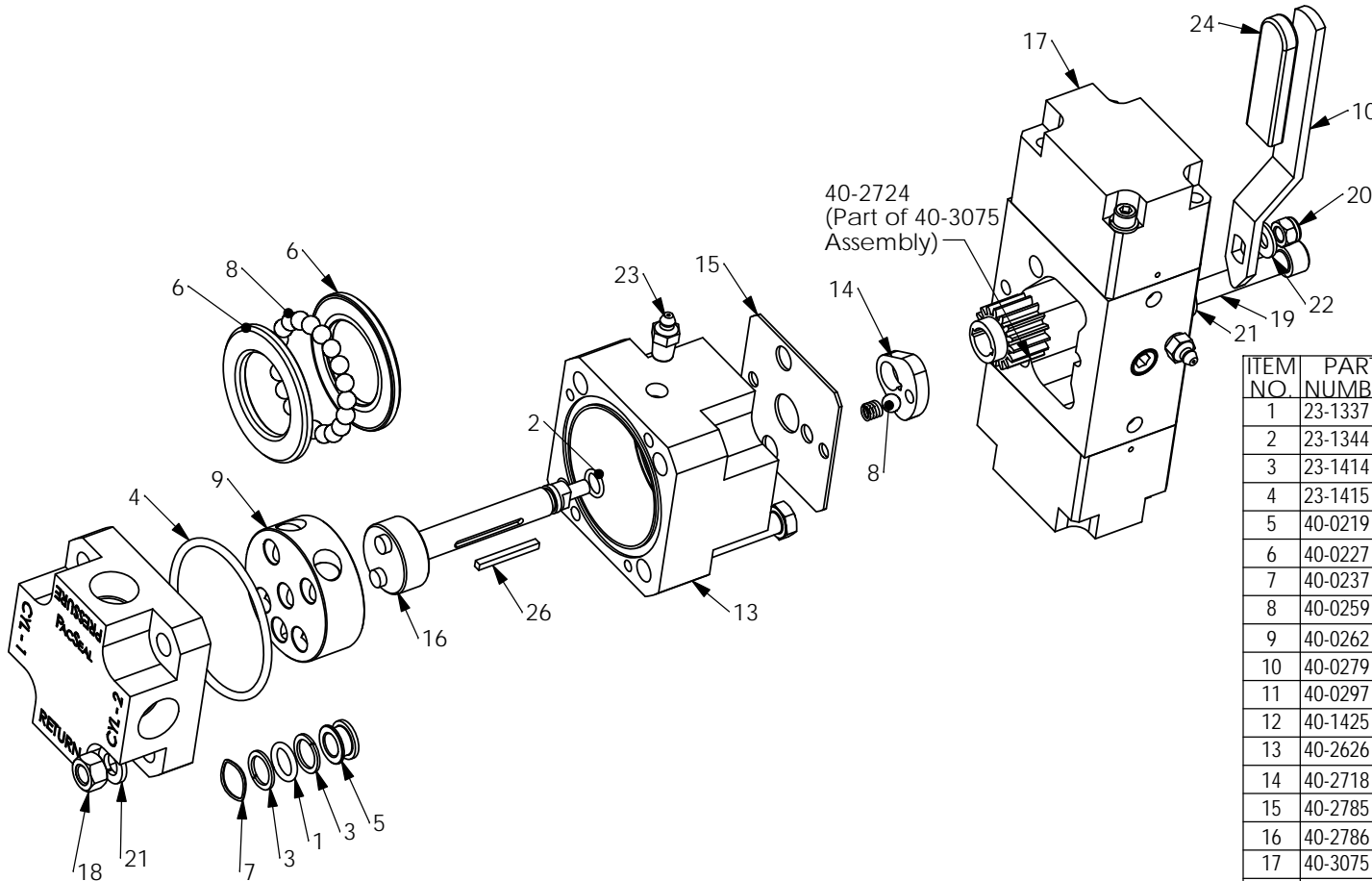
MODEL NO: **SVx-50 4N3IS1HSN**
 ROTOR: Selector
 ALL PORTS: 1/2" NPT
 WORKING PRESSURE: 3000 PSI
 RETURN PORT: 250 PSI MAX
 Cv: .95
 FLOW: 30 (GPM)
 TEMP RATING: -30° TO 180°F

PROPRIETARY AND CONFIDENTIAL
 THE INFORMATION CONTAINED IN THIS DRAWING IS THE SOLE PROPERTY OF PacSeal Hydraulics. ANY REPRODUCTION IN PART OR AS A WHOLE WITHOUT THE WRITTEN PERMISSION OF PacSeal Hydraulics IS PROHIBITED.

PacSeal Hydraulics Inc.

VALVES, ACCUMULATORS, CONTROLS

TITLE SVx-50 4-Way Inline Ported Valve w/ Hydraulic Actuator	SIZE	DWG. NO.	REV
	A	40-3077	3
SCALE: 1:2	WEIGHT: 13	SHEET 1 OF 2	



40-2724
(Part of 40-3075
Assembly)

ITEM NO.	PART NUMBER	Rev	DESCRIPTION	QTY.
1	23-1337		O-Ring	4
2	23-1344		O-Ring	1
3	23-1414		Backup Ring	6
4	23-1415		O-Ring	1
5	40-0219	E	Seal Ring, SV-50	3
6	40-0227	C	Thrust Washer, SV-50	2
7	40-0237		Wave Spring	3
8	40-0259		Ball, Bearing	21
9	40-0262	B	Rotor, SV-50 Selector	1
10	40-0279	02	Handle, SV-25	1
11	40-0297	1	Spring	1
12	40-1425	B	Body, SV-50	1
13	40-2626	A	Housing, SVx-50	1
14	40-2718	A	Detent, SVx-25	1
15	40-2785	A	Aluminum Gasket, SVx-25 Actuator	1
16	40-2786	A	Shaft, SVx-50	1
17	40-3075	01	Hydraulic Actuator Ass'y, SVx-25 / 50	1
18	50-0078		Hex Nut	4
19	50-0080		SHCS	2
20	50-0091		Locknut	1
21	50-0103		Lock Washer	6
22	50-0106		Washer, Shaft	1
23	50-0176	1	Grease Fitting	1
24	50-0238	A	Grip, Handle	1
25	50-0267		Bolt	4
26	50-0444		Key	1

PACSEAL HYDRAULICS INC.

VALVES, ACCUMULATORS, CONTROLS

PROPRIETARY AND CONFIDENTIAL
THE INFORMATION CONTAINED IN THIS DRAWING IS THE SOLE
PROPERTY OF PacSeal Hydraulics.
ANY REPRODUCTION IN PART OR AS A WHOLE WITHOUT THE
WRITTEN PERMISSION OF PacSeal Hydraulics IS PROHIBITED.

TITLE
SVx-50 4-Way Inline
Ported Valve
w/ Hydraulic Actuator

SIZE A	DWG. NO. 40-3077	REV 3
SCALE: 1:2	WEIGHT: 13	SHEET 2 OF 2