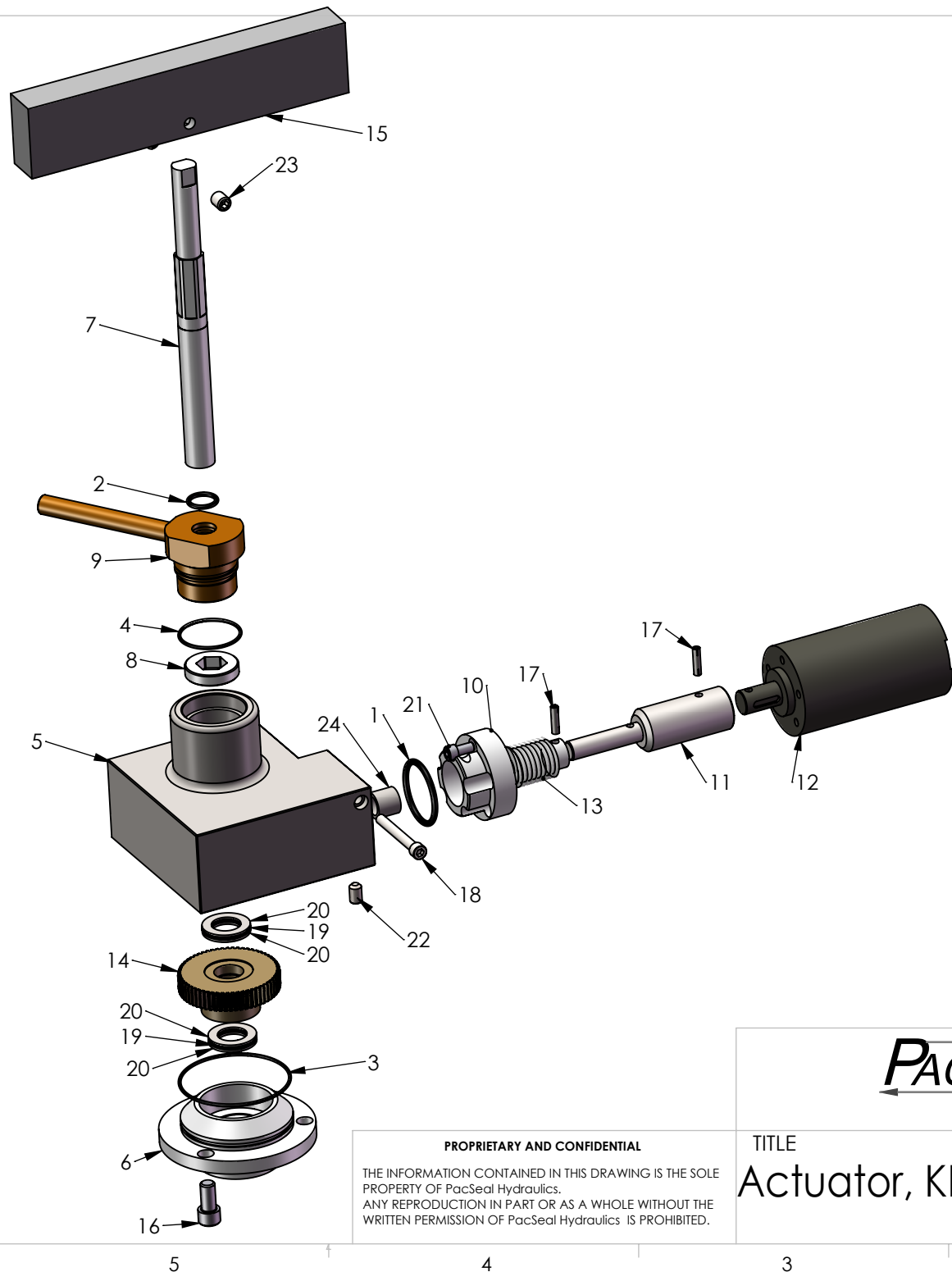


**PacSeal HYDRAULICS INC.**

VALVES, ACCUMULATORS, CONTROLS

**PROPRIETARY AND CONFIDENTIAL**  
 THE INFORMATION CONTAINED IN THIS DRAWING IS THE SOLE PROPERTY OF PacSeal Hydraulics. ANY REPRODUCTION IN PART OR AS A WHOLE WITHOUT THE WRITTEN PERMISSION OF PacSeal Hydraulics IS PROHIBITED.

TITLE	SIZE	DWG. NO.	REV
Actuator, KR L-HP FSH	<b>A</b>	40-3557	1
SCALE: 1:4	WEIGHT: 28	SHEET 1 OF 2	



ITEM NO.	PART NUMBER	DESCRIPTION	QTY.
1	23-1123	O-Ring	1
2	23-1385	O-Ring	1
3	23-1404	O-Ring	1
4	23-1405	O-Ring	1
5	40-0413	Fail Safe Body	1
6	40-0414	ADAPTER PLATE, KR-FAILSAFE	1
7	40-0415	Fail Safe Shaft, KR-75	1
8	40-0416	Fail Safe Collar	1
9	40-0417	Fail Safe Nut Assy	1
10	40-0715	Hydraulic Adapter	1
11	40-0716	Fail Safe Shaft Extension-Hydraulic	1
12	40-0719	Motor, MOD, KR-Failsafe H	1
13	40-2742	Worm, FS-HP Actuator	1
14	40-2743	Worm Gear, FS-HP	1
15	40-3237	Handle, Fail Safe HP	1
16	50-0073	SHCS	3
17	50-0154	Roll Pin	2
18	50-0156	SHCS, 1/4-20UN	1
19	50-0157B	Bearing, NTA-1220	2
20	50-0157T	Thrust Washer, TRB-1220	4
21	50-0215	SHCS, Zn PI	5
22	50-0223	Hex Socket Set Screw	2
23	50-0482	Set Screw, Cup Point, 3/8-16UN x .50 Lg	2
24	50-0483	Roller Bearing	1

# PacSeal Hydraulics Inc.

VALVES, ACCUMULATORS, CONTROLS

**PROPRIETARY AND CONFIDENTIAL**  
 THE INFORMATION CONTAINED IN THIS DRAWING IS THE SOLE PROPERTY OF PacSeal Hydraulics. ANY REPRODUCTION IN PART OR AS A WHOLE WITHOUT THE WRITTEN PERMISSION OF PacSeal Hydraulics IS PROHIBITED.

TITLE	SIZE	DWG. NO.	REV
Actuator, KR L-HP FSH <b>A</b>	<b>A</b>	<b>40-3557</b>	<b>1</b>
SCALE: 1:4	WEIGHT: 28	SHEET 2 OF 2	