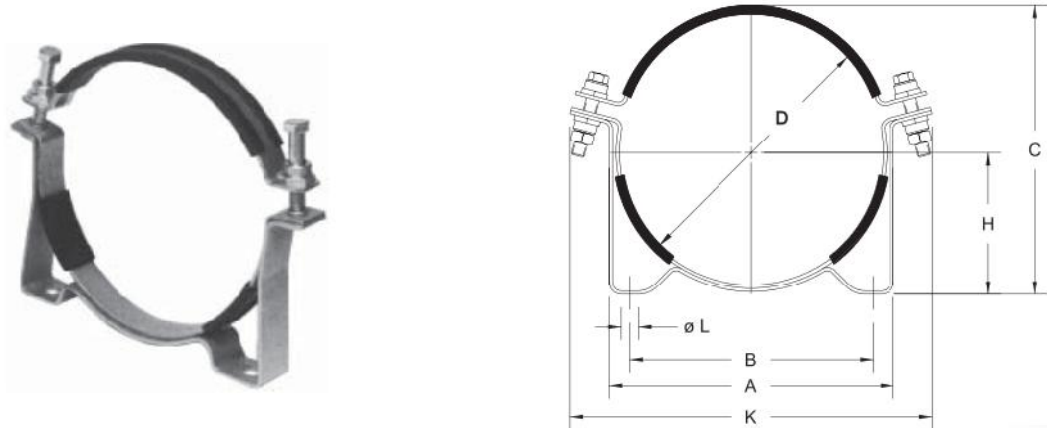


PACSEAL HYDRAULICS INC.

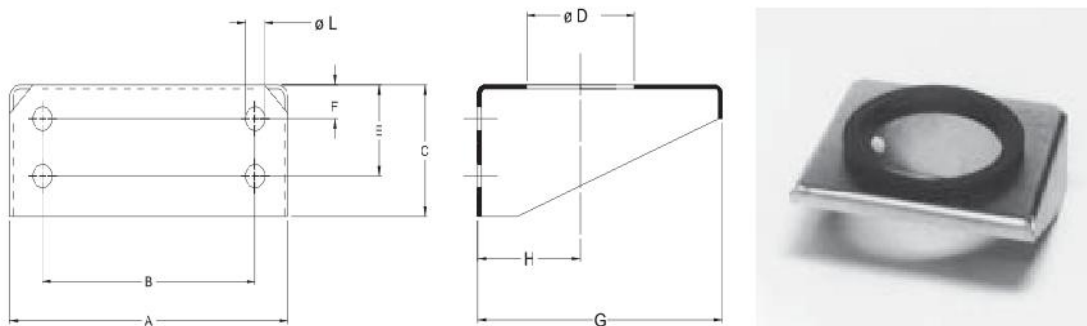
Mounting Brackets for 2.5 – 15 Gallon, 3000psi. Bladder Accumulators

Double Bolt clamp – include rubber inserts



Model	A in. (mm)	B in. (mm)	C in. (mm)	D (Dia.) in. (mm)	H in. (mm)	K in. (mm)	L in. (mm)	Width in. (mm)	Wt. lbs. (kg)
40-1325	10.00 (254)	8.50 (216)	9.89 (251)	9.12 (232)	4.95 (126)	12.48 (317)	.59 (15)	1.50 (38)	3.4 (1.5)

Base Bracket – includes Rubber Ring



Model	A in (mm)	B in (mm)	C in. (mm)	D (DIA) in. (mm)	E in. (mm)	F in. (mm)	G in. (mm)	H in. (mm)	L (Dia) in. (mm)	Wt. Lbs. (kg)
40-1326	10.24 (260)	7.88 (200)	3.94 (100)	6.69 (170)	2.95 (75)	1.38 (35)	8.86 (225)	4.84 (123)	.67 (17)	4.5 (2.0)