

Note:

1. Air Actuator Cylinder Assy - 3" Dia, 2 Position
2. Stroke: 2-1/8"
3. Working Pressure: 250 PSI
4. Aluminum Body

REV	ECN	DATE

PROPRIETARY AND CONFIDENTIAL

THE INFORMATION CONTAINED IN THIS DRAWING IS THE SOLE PROPERTY OF PacSeal Hydraulics. ANY REPRODUCTION IN PART OR AS A WHOLE WITHOUT THE WRITTEN PERMISSION OF PacSeal Hydraulics IS PROHIBITED.

PACSEAL HYDRAULICS INC.
VALVES, ACCUMULATORS, CONTROLS

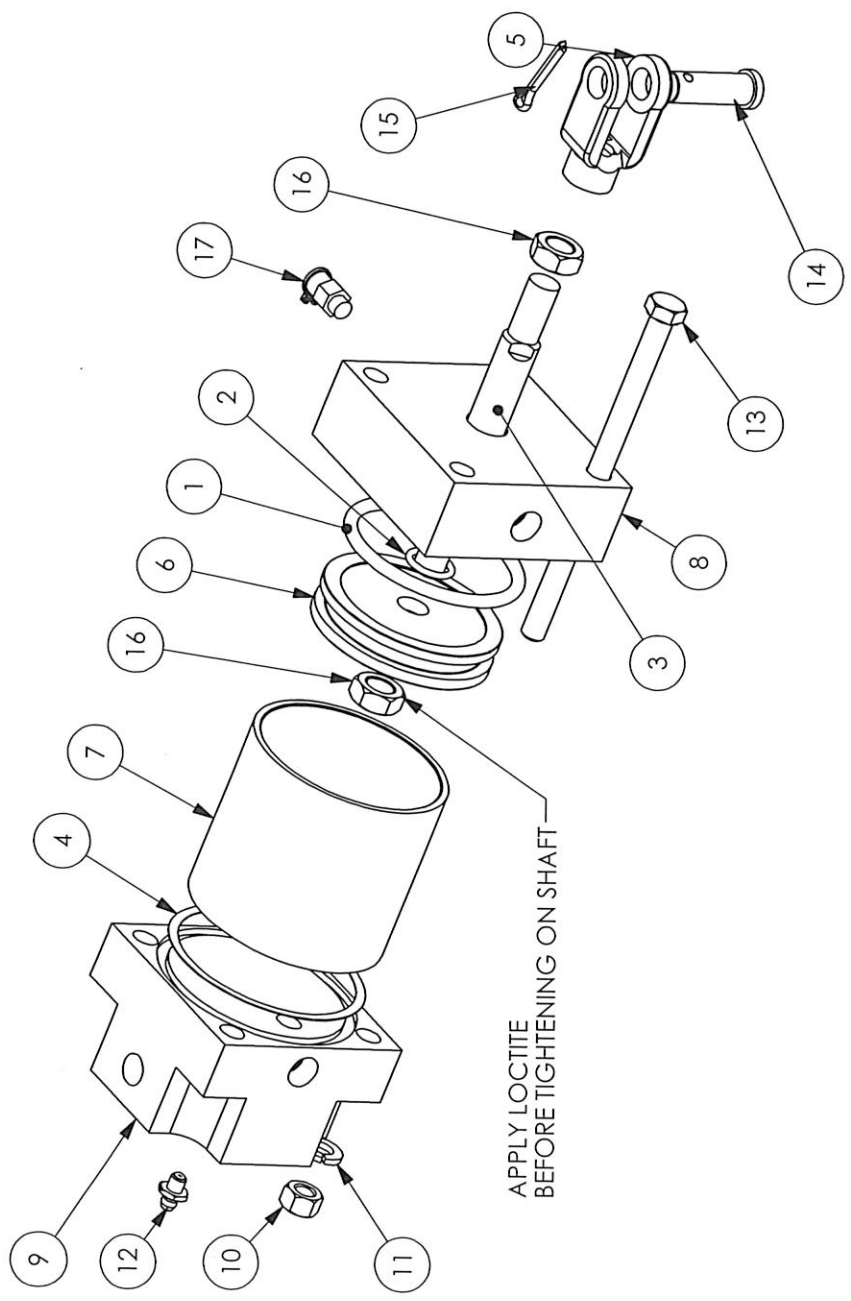
TITLE Air Actuator Cylinder Assembly - 3" 2 Position; AAC-302

SIZE DWG. NO. **A** 40-3723

REV **1**

SCALE: 1:2 WEIGHT: 6

SHEET 1 OF 2



APPLY LOCTITE
BEFORE TIGHTENING ON SHAFT

ITEM NO.	PART NUMBER	DESCRIPTION	QTY.
1	23-1318	O-Ring	1
2	23-1385	O-Ring	2
3	40-0451	Shaft	1
4	40-0454	Gasket	2
5	40-0547	Clevis, AAC-302	1
6	40-2409	Piston, AAC-302	1
7	40-2412	Cylinder	1
8	40-3700	Ass'y, Cylinder Head	1
9	40-3702	Cylinder Head	1
10	50-0078	Hex Nut	4
11	50-0103	Lock Washer	4
12	50-0120	1/4" Zerk Fitting	1
13	50-0121	Hex Hd Bolt	4
14	50-0145	Clevis Pin	1
15	50-0146	Cotter Pin	1
16	50-0163	Hex Jam Nut	2
17	50-0232	Oil Hole Cover	1

PACSEAL HYDRAULICS INC.

VALVES, ACCUMULATORS, CONTROLS

TITLE Air Actuator Cylinder Assembly - 3" 2 Position; AAC-302

SIZE DWG. NO. A 40-3723

REV 1

SCALE: 1:3 WEIGHT: 6 SHEET 2 OF 2

PROPRIETARY AND CONFIDENTIAL
THE INFORMATION CONTAINED IN THIS DRAWING IS THE SOLE PROPERTY OF PacSeal Hydraulics.
ANY REPRODUCTION IN PART OR AS A WHOLE WITHOUT THE WRITTEN PERMISSION OF PacSeal Hydraulics IS PROHIBITED.