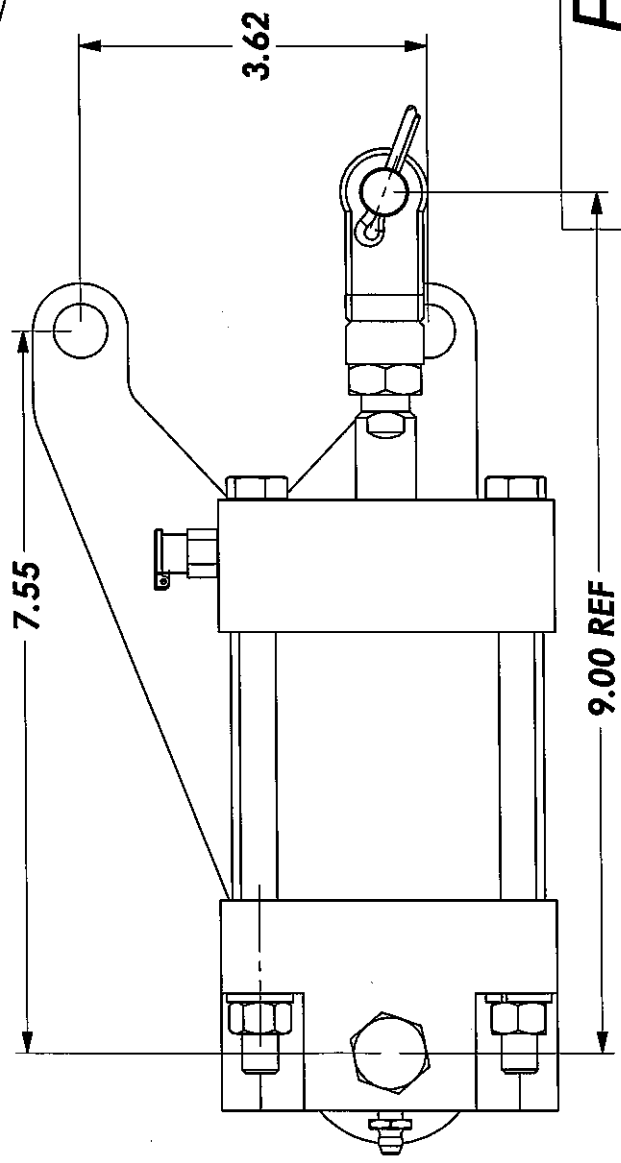
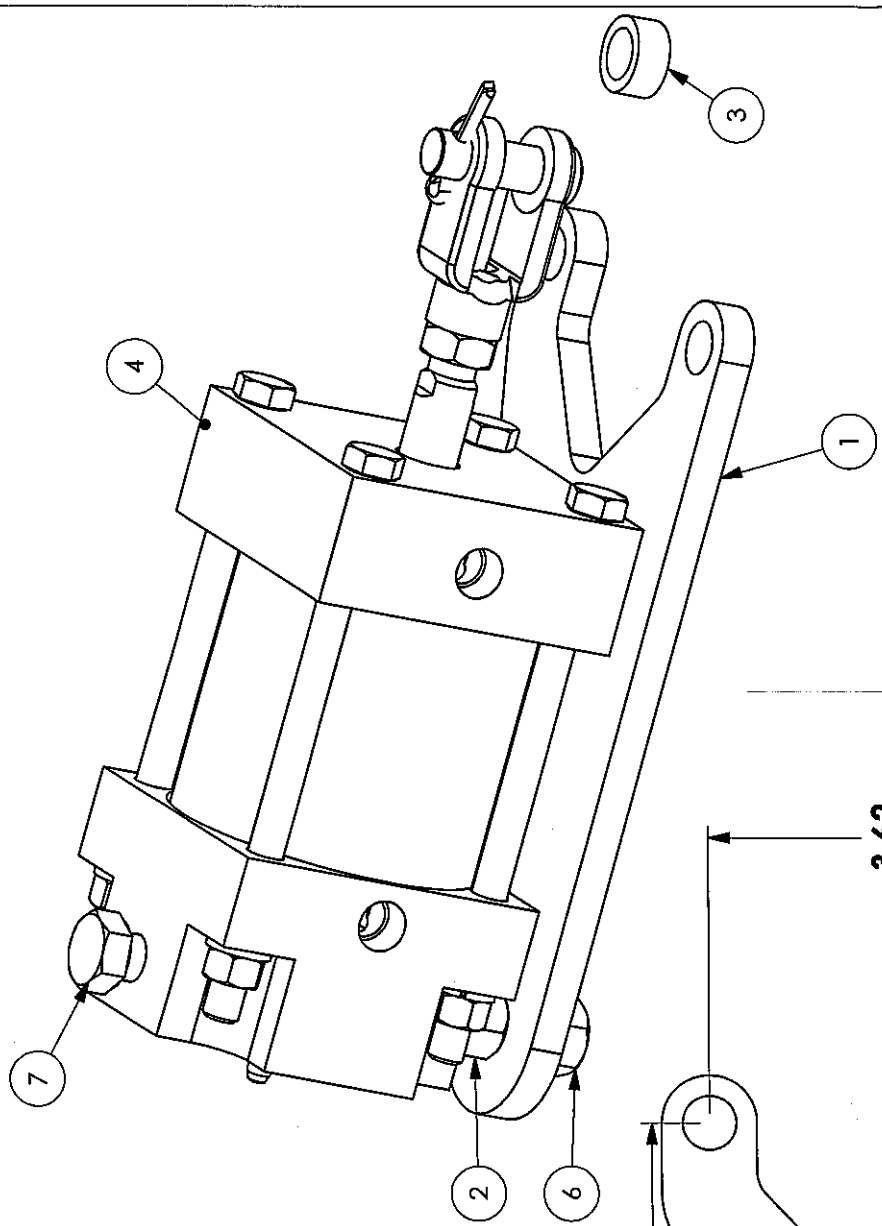


Air Cylinder Kit - 3"

ITEM NO.	PART NUMBER	DESCRIPTION	QTY.
1	40-0455	Bracket, AAC-302	1
2	40-0558	Spacer Nut, AAC-302	1
3	40-0559	Spacer, AAC-302	1
4	40-3723	Air Actuator Cylinder Assembly - 3" 2 Position; AAC-302	1
5	50-0104	Lock Washer	1
6	50-0110	Hex Nut	1
7	50-0165	Hex Head Bolt	1



PACSEAL HYDRAULICS INC.

VALVES, ACCUMULATORS, CONTROLS

TITLE	SIZE	DWG. NO.	REV
AAC-302 Air Cylinder w/ Bracket Kit, Aluminum	A	40-3802	1
SCALE: 1:2		WEIGHT: 9	

PROPRIETARY AND CONFIDENTIAL
 THE INFORMATION CONTAINED IN THIS DRAWING IS THE SOLE
 PROPERTY OF PacSeal Hydraulics.
 ANY REPRODUCTION IN PART OR AS A WHOLE WITHOUT THE
 WRITTEN PERMISSION OF PacSeal Hydraulics IS PROHIBITED.